

LUNA ATOM™ 3 PENDANT

PROJECT: _____

TYPE: _____

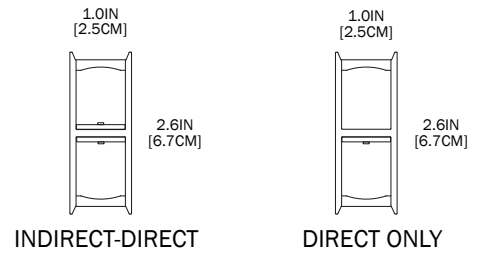
QUANTITY: _____



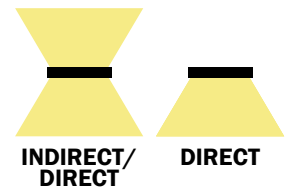
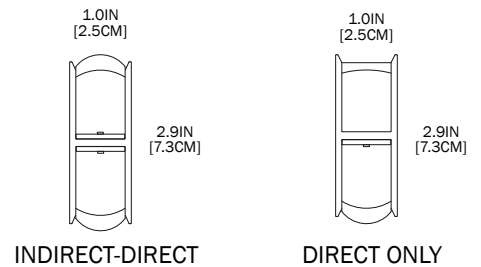
PN: 971LUAT3

ILLUMINATION	<ul style="list-style-type: none"> • 13,867 - 54,838 LUMENS • DIRECT OR INDIRECT/DIRECT • LED 90CRI
APPLICATION	<ul style="list-style-type: none"> • DIRECT OR DIRECT/INDIRECT PENDANT MOUNT • INDOOR RATED
DIMENSION	<ul style="list-style-type: none"> • COMBINATION OF 2 RINGS FROM DIAMETERS OF: 24", 36", 48", 60", 72", AND 84" SIZES (61cm, 91cm, 122cm, 152cm, 182cm, AND 213cm) • PROFILE: 1"W X 2.625"H (2.54cm X 6.6675cm)
ELECTRICAL	<ul style="list-style-type: none"> • 120 - 277V • 10KV SURGE SUPPRESSION
DIFFUSERS	<ul style="list-style-type: none"> • HIGH EFFICIENCY ACRYLIC
MOUNTING	<ul style="list-style-type: none"> • 120" (304.8cm) BLACK OR WHITE DROP CORD WITH AIRCRAFT CABLES • 120" (304.8cm) POWER OVER SUSPENSION
LED DRIVER	<ul style="list-style-type: none"> • CANOPY OR REMOTE MOUNT
CONSTRUCTION	<ul style="list-style-type: none"> • ALUMINUM
FINISHES	<ul style="list-style-type: none"> • AVAILABLE IN SEVERAL TMS POWDER COATED FINISHES • CUSTOM RAL FINISHES AVAILABLE
DIMMING	<ul style="list-style-type: none"> • 0 - 10V DIMMING (120-277V) • LINE VOLTAGE/TRIAC/ELV (120V ONLY) • LUTRON DIMMING (120-277V)
WEIGHT	<ul style="list-style-type: none"> • 55 LBS MINIMUM, 111 LBS MAXIMUM

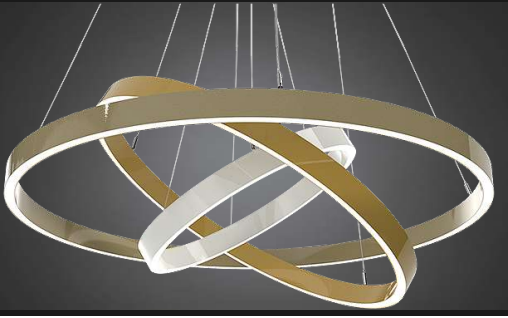
FLAT DIFFUSER



DOM DIFFUSER



LUNA ATOM™ 3 PENDANT



PROJECT: _____
 TYPE: _____
 QUANTITY: _____

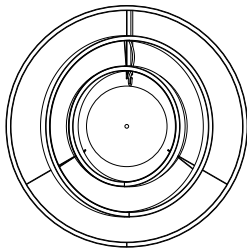
971LUAT3

1 2 3 4 5 6 7 8 9

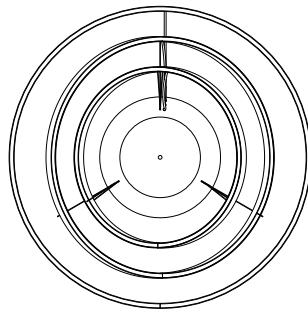
1.	DIRECT								
CLUSTER	SD	MD	LD	CUS					
DIA	24", 36", 48"	36", 48", 60"	60", 72", 84"	CUSTOM (SPECIFY)					
LED (W)	153	204	305						
LUMENS	13867	18532	27779						
INDIRECT/DIRECT									
CLUSTER	SID	MID	LID	CUS					
DIA	24", 36", 48"	36", 48", 60"	60", 72", 84"	CUSTOM (SPECIFY)					
LED (W)	305	406	609						
LUMENS	27380	25691	54834						
2.	H	M	L	C: _____ ¹					
OUTPUT	100% LUMENS	75% LUMENS	50% LUMENS	[CUSTOM]% LUMENS					
3.	30K		35K			40K			
CCT	3000K		3500K			4000K			
4.	S				D				
CIRCUITS	SINGLE				DUAL				
5.	PSCD				PSRM				
MOUNTING	SINGLE POINT WITH CANOPY DRIVER				SINGLE POINT WITH REMOTE DRIVER				
6.	BC		WC			POS			
CORD	BLACK DROP CORD WITH AIRCRAFT CABLES		WHITE DROP CORD WITH AIRCRAFT CABLES			POWER OVER SUSPENSION (SILVER ONLY) <small>(ONLY APPLICABLE FOR SIZE SD AND SID CLUSTER OPTIONS)</small>			
7.	FLAT				DOM				
DIFFUSER	FLAT DIFFUSER				DOME DIFFUSER				
8.	ADDITIONAL AND PREMIUM FINISHES AVAILABLE. SEE FINISHES CHART								
FINISH	F04	F05	F15	F16	F09	F31	F18		
	MATTE WHITE	GLOSS WHITE	MATTE BLACK	GLOSS BLACK	PEWTER	SILVER METALLIC	SATIN ALUMINUM		
9.	DIML		DIME			DIMV			
DIMMING	0-10V (120-277V)		LUTRON HI-LUME (120-277V) <small>(ONLY APPLICABLE FOR SIZE SD AND SID CLUSTER OPTIONS)</small>			LINE VOLTAGE/TRIAC/ELV (120V ONLY)			

NOTE: SOME OPTIONS MAY NOT BE COMPATIBLE WITH OTHERS. ALL SPECIFICATIONS ARE SUBJECT TO CHANGE WITHOUT NOTICE. CONTACT TMS LIGHTING FOR UPDATED SPECIFICATIONS.

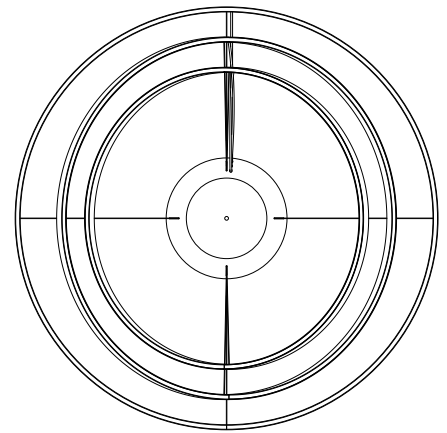
LUNA ATOM™ 3 PENDANT



SD



MD



LD

SIZES	DIAMETER	MOUNTING POINT	MINIMUM DISTANCE ^{1,2}	CANOPY SIZE	NUMBER OF CANOPY	WEIGHT (POUNDS - LBS)	SECTIONS
24	24"	3	30"	24"	1(D)/ 1(ID)	12(D)/ 13(ID)	1
36	36.5"	3	42"	24"	1(D)/ 1(ID)	15(D)/ 18(ID)	1
48	47.5"	3	54"	24"	1(D)/ 1(ID)	19(D)/ 27(ID)	1
60	59.5"	3(4) ³	66"	24"	1(D)/ 1(ID)	24(D)/30(ID)	1
72	72"	4	78"	24"	1(D)/ 1(ID)	30(D)/ 35(ID)	1
84	84"	4	96"	24"	1(D)/ 1(ID)	37(D)/ 45(ID)	1

1. ONLY FOR PS (SINGLE POINT) MOUNTING OPTION, THIS IS THE MINIMUM DISTANCE FROM CEILING TO THE BOTTOM OF THE FIXTURE

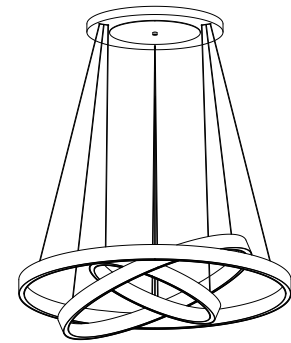
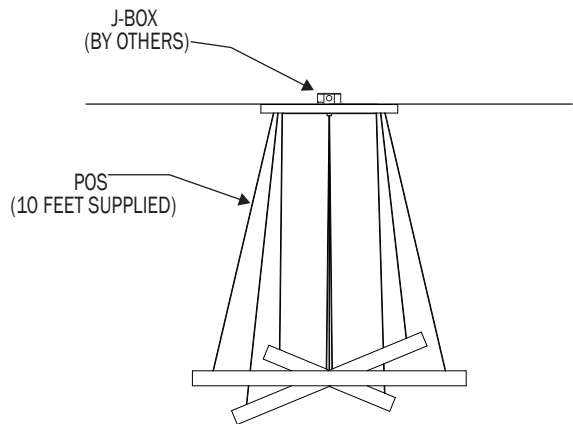
2. MINIMUM CABLE MOUNTING ANGLE IS 70°

3. BLACK AND WHITE CORD OPTION HAS 3 MOUNTING POINTS. POS OPTION HAS 4 MOUNTING POINTS. 3 MOUNTING POINTS FOR CLUSTERS SD/SID AND MD/MID. 4 MOUNTING POINTS FOR CLUSTER LD/LID.

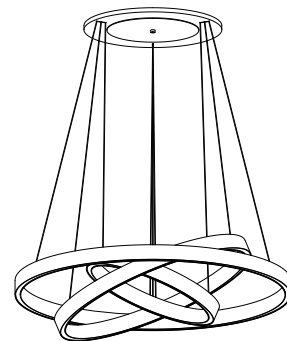
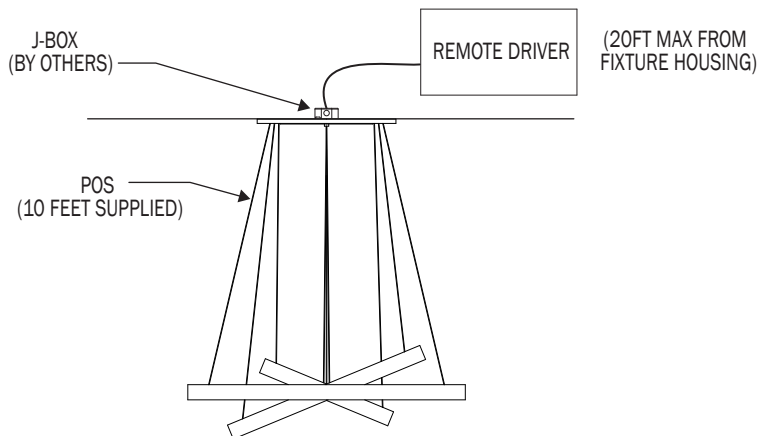
LUNA ATOM™ 3 PENDANT

POS (POWER OVER SUSPENSION)

PSCD COMBINATION (SINGLE POINT, CANOPY MOUNT DRIVER)



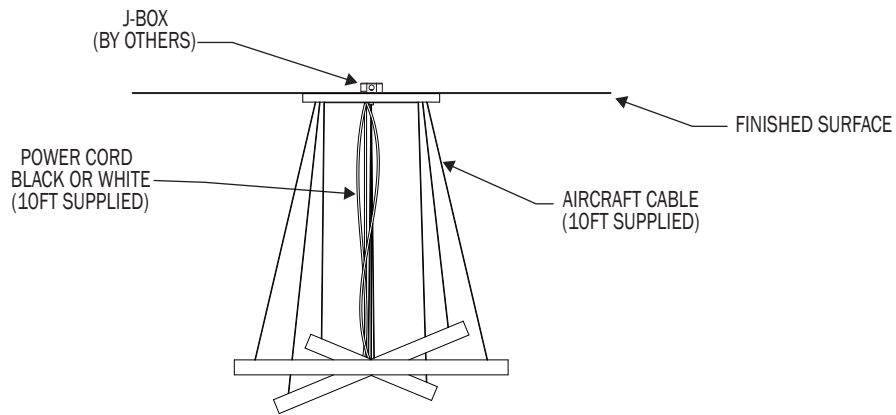
PSRM COMBINATION (SINGLE POINT, REMOTE MOUNT DRIVER)



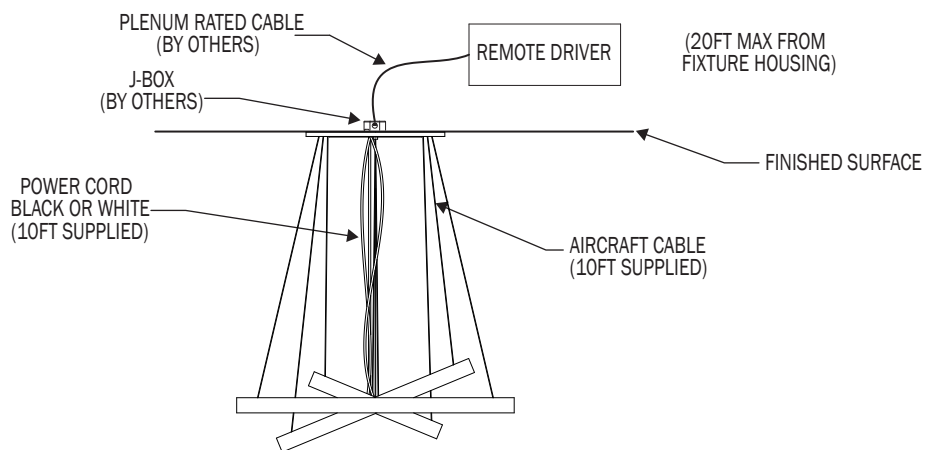
LUNA ATOM™ 3 PENDANT

DROP CORD

PSCD COMBINATION (SINGLE POINT, CANOPY MOUNT DRIVER)



PSRM COMBINATION (SINGLE POINT, REMOTE MOUNT DRIVER)



LUNA ATOM™ 3 PENDANT

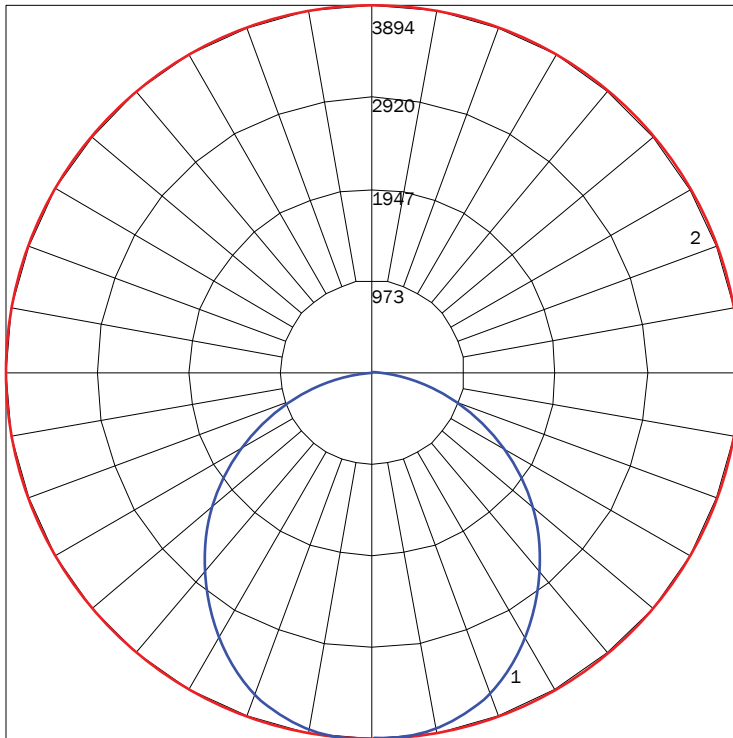
DIRECT

PN	SIZE (DIA)	LUMENS	WATTAGE
971LU	24D	3101	34
	36D	4608	51
	48D	6158	68
	60D	7766	85
	72D	9270	102
	84D	10743	118

IES INDOOR REPORT

PHOTOMETRIC FILENAME : 971LU 84 D 35K F05.IES

POLAR GRAPH



MAXIMUM CANDELA = 3893.9 LOCATED AT HORIZONTAL ANGLE = 90, VERTICAL ANGLE = 5
 # 1 - VERTICAL PLANE THROUGH HORIZONTAL ANGLES (90 - 270) (THROUGH MAX. CD.)
 # 2 - HORIZONTAL CONE THROUGH VERTICAL ANGLE (5) (THROUGH MAX. CD.)

LUMINAIRE LUMENS	10743
TOTAL LUMINAIRE EFFICIENCY	71%
LUMINAIRE EFFICACY RATING	91
TOTAL LUMINAIRE WATTS	118

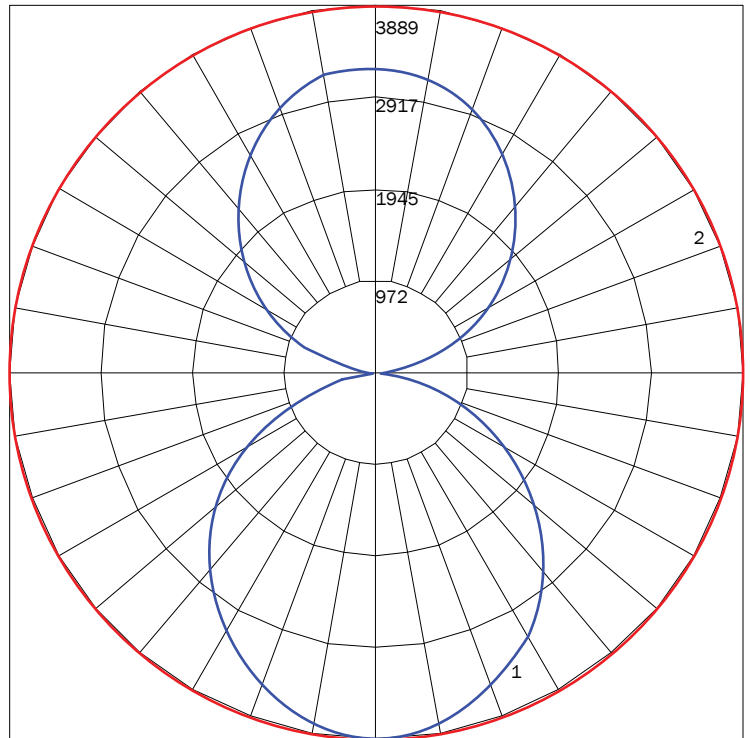
INDIRECT / DIRECT

PN	SIZE (DIA)	LUMENS	WATTAGE
971LU	24ID	6104	68
	36ID	9091	102
	48ID	12185	135
	60ID	15315	169
	72ID	18173	203
	84ID	21346	237

IES INDOOR REPORT

PHOTOMETRIC FILENAME : 971LU 84 ID 35K F05.IES

POLAR GRAPH



MAXIMUM CANDELA = 3889.18 LOCATED AT HORIZONTAL ANGLE = 67.5, VERTICAL ANGLE = 5
 # 1 - VERTICAL PLANE THROUGH HORIZONTAL ANGLES (67.5 - 247.5) (THROUGH MAX. CD.)
 # 2 - HORIZONTAL CONE THROUGH VERTICAL ANGLE (5) (THROUGH MAX. CD.)

LUMINAIRE LUMENS	21346
TOTAL LUMINAIRE EFFICIENCY	71%
LUMINAIRE EFFICACY RATING	90
TOTAL LUMINAIRE WATTS	237

NOTE: IES reflects one single Luna ring fixture each. Combine multiple for desired combination output.

LUNA ATOM™ 3 PENDANT

FINISHES



PREMIUM FINISHES



NOTE: DISPLAYED FINISHES DIFFER BETWEEN SCREENS AS WELL AS PRINTERS AND MAY NOT ACCURATELY DEPICT COLOR.