

LUNA ATOM™ 2 PENDANT

PROJECT: _____

TYPE: _____

QUANTITY: _____



PN: 971LUAT2

ILLUMINATION	<ul style="list-style-type: none"> • 7,709 - 39,519 LUMENS • DIRECT OR INDIRECT/DIRECT • LED 90CRI
APPLICATION	<ul style="list-style-type: none"> • DIRECT OR DIRECT/INDIRECT PENDANT MOUNT • INDOOR RATED
DIMENSION	<ul style="list-style-type: none"> • COMBINATION OF 2 RINGS FROM DIAMETERS OF: • 24", 36", 48", 60", 72", AND 84" SIZES (61cm, 91cm, 122cm, 152cm, 182cm, AND 213cm) • PROFILE: 1"W X 2.625"H (2.54cm X 6.6675cm)
ELECTRICAL	<ul style="list-style-type: none"> • 120 - 277V • 10KV SURGE SUPPRESSION
DIFFUSERS	<ul style="list-style-type: none"> • HIGH EFFICIENCY ACRYLIC
MOUNTING	<ul style="list-style-type: none"> • 120" (304.8cm) BLACK OR WHITE DROP CORD WITH AIRCRAFT CABLES • 120" (304.8cm) POWER OVER SUSPENSION
LED DRIVER	<ul style="list-style-type: none"> • CANOPY OR REMOTE MOUNT
CONSTRUCTION	<ul style="list-style-type: none"> • ALUMINUM
FINISHES	<ul style="list-style-type: none"> • AVAILABLE IN SEVERAL TMS POWDER COATED FINISHES • CUSTOM RAL FINISHES AVAILABLE
DIMMING	<ul style="list-style-type: none"> • 0 - 10V DIMMING (120-277V) • LINE VOLTAGE/TRIAC/ELV (120V ONLY) • LUTRON DIMMING (120-277V)
WEIGHT	<ul style="list-style-type: none"> • 27 LBS MINIMUM, 75 LBS MAXIMUM

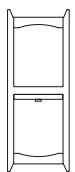
FLAT DIFFUSER

1.0IN
[2.5CM]



INDIRECT-DIRECT

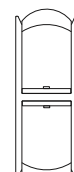
1.0IN
[2.5CM]



DIRECT ONLY

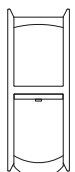
DOM DIFFUSER

1.0IN
[2.5CM]

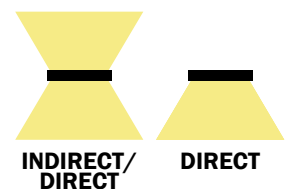


INDIRECT-DIRECT

1.0IN
[2.5CM]



DIRECT ONLY





LUNA ATOM™ 2 PENDANT

PROJECT: _____

TYPE: _____

QUANTITY: _____

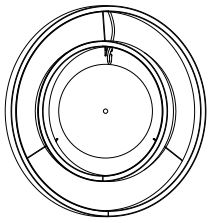
971LUAT2

1 2 3 4 5 6 7 8 9

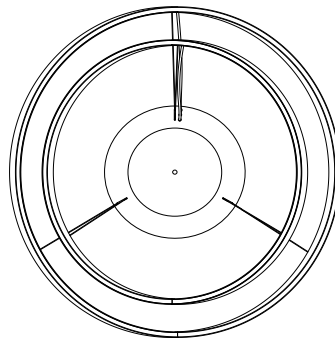
1.	DIRECT									
CLUSTER	SD	MD	LD	CUS						
DIA	24", 36"	48", 60"	72", 84"	CUSTOM (SPECIFY)						
LED (W)	85	153	220							
LUMENS	7709	13924	20013							
INDIRECT/DIRECT										
CLUSTER	SID	MID	LID	CUS						
DIA	24", 36"	48", 60"	72", 84"	CUSTOM (SPECIFY)						
LED (W)	170	304	440							
LUMENS	15195	27500	39519							
2.	H	M	L	C: _____ ¹						
OUTPUT	100% LUMENS	75% LUMENS	50% LUMENS	[CUSTOM]% LUMENS						
3.	30K		35K			40K				
CCT	3000K		3500K			4000K				
4.	S				D					
CIRCUITS	SINGLE				DUAL					
5.	PSCD				PSRM					
MOUNTING	SINGLE POINT WITH CANOPY DRIVER				SINGLE POINT WITH REMOTE DRIVER					
6.	BC		WC			POS				
CORD	BLACK DROP CORD WITH AIRCRAFT CABLES		WHITE DROP CORD WITH AIRCRAFT CABLES			POWER OVER SUSPENSION (SILVER ONLY) <small>(ONLY APPLICABLE FOR SIZE SD AND SID CLUSTER OPTIONS)</small>				
7.	FLAT				DOM					
DIFFUSER	FLAT DIFFUSER				DOME DIFFUSER					
8.	ADDITIONAL AND PREMIUM FINISHES AVAILABLE. SEE FINISHES CHART			F04	F05	F15	F16	F09	F31	F18
FINISH				MATTE WHITE	GLOSS WHITE	MATTE BLACK	GLOSS BLACK	PEWTER	SILVER METALLIC	SATIN ALUMINUM
9.	DIML		DIME			DIMV				
DIMMING	0-10V (120-277V)		LUTRON HI-LUME (120-277V) <small>(ONLY APPLICABLE FOR SIZE SD AND SID CLUSTER OPTIONS)</small>			LINE VOLTAGE/TRIAC/ELV (120V ONLY)				

NOTE: SOME OPTIONS MAY NOT BE COMPATIBLE WITH OTHERS. ALL SPECIFICATIONS ARE SUBJECT TO CHANGE WITHOUT NOTICE. CONTACT TMS LIGHTING FOR UPDATED SPECIFICATIONS.

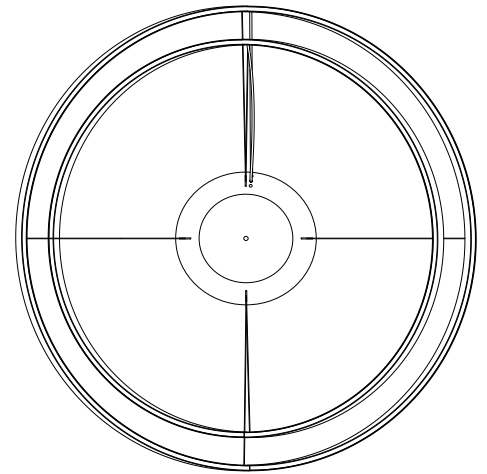
LUNA ATOM™ 2 PENDANT



SD/SID



MD/MID



LD/LID

SIZES	DIAMETER	MOUNTING POINT	MINIMUM DISTANCE ^{1,2}	CANOPY SIZE	NUMBER OF CANOPY	WEIGHT (POUNDS - LBS)	SECTIONS
24	24"	3	30"	24"	1(D)/ 1(ID)	12(D)/ 13(ID)	1
36	36.5"	3	42"	24"	1(D)/ 1(ID)	15(D)/ 18(ID)	1
48	47.5"	3	54"	24"	1(D)/ 1(ID)	19(D)/ 27(ID)	1
60	59.5"	3(4) ³	66"	24"	1(D)/ 1(ID)	24(D)/30(ID)	1
72	72"	4	78"	24"	1(D)/ 1(ID)	30(D)/ 35(ID)	1
84	84"	4	96"	24"	1(D)/ 1(ID)	37(D)/ 45(ID)	1

1. ONLY FOR PS (SINGLE POINT) MOUNTING OPTION, THIS IS THE MINIMUM DISTANCE FROM CEILING TO THE BOTTOM OF THE FIXTURE

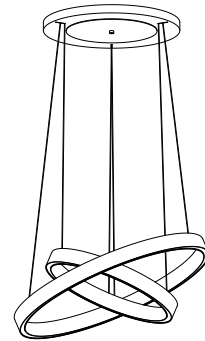
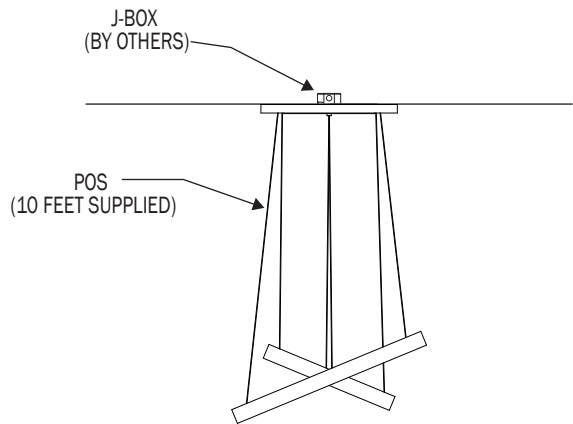
2. MINIMUM CABLE MOUNTING ANGLE IS 70°

3. BLACK AND WHITE CORD OPTION HAS 3 MOUNTING POINTS. POS OPTION HAS 4 MOUNTING POINTS.

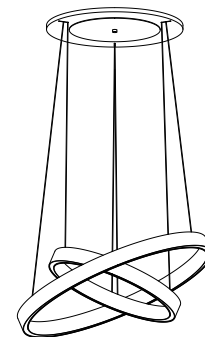
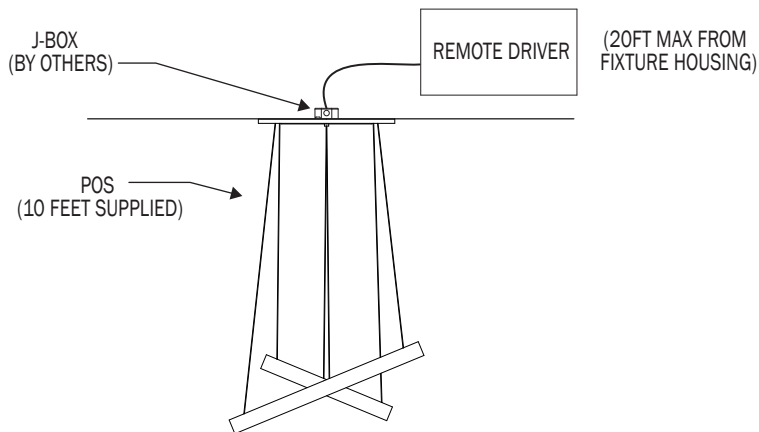
LUNA ATOM™ 2 PENDANT

POS (POWER OVER SUSPENSION)

PSCD COMBINATION (SINGLE POINT, CANOPY MOUNT DRIVER)



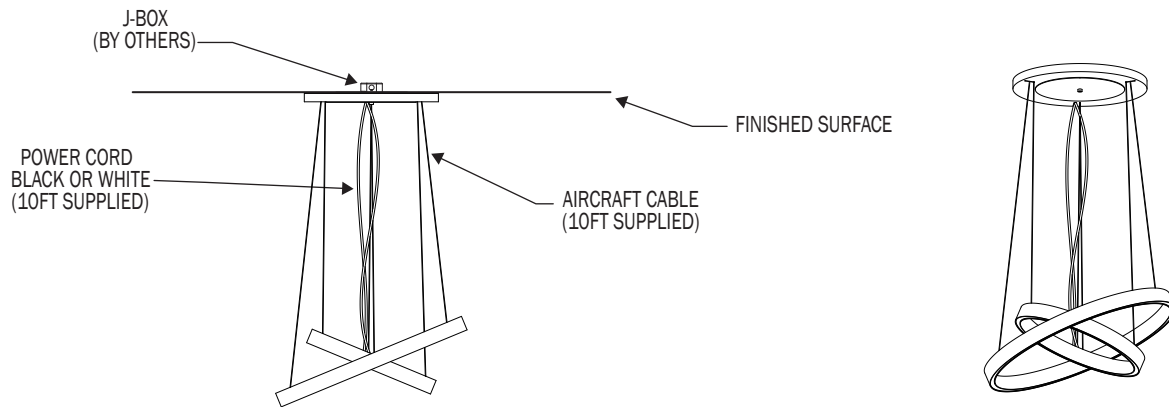
PSRM COMBINATION (SINGLE POINT, REMOTE MOUNT DRIVER)



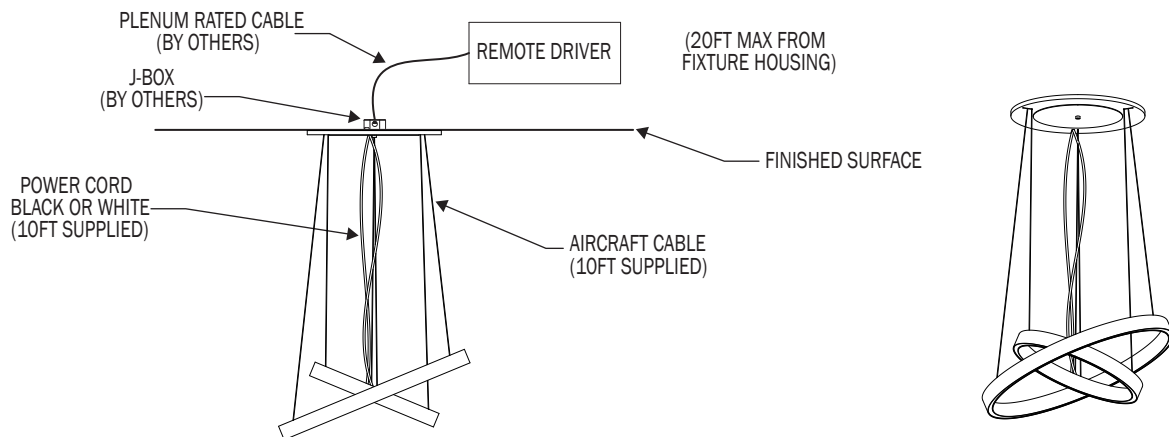
LUNA ATOM™ 2 PENDANT

DROP CORD

PSCD COMBINATION (SINGLE POINT, CANOPY MOUNT DRIVER)



PSRM COMBINATION (SINGLE POINT, REMOTE MOUNT DRIVER)



LUNA ATOM™ 2 PENDANT

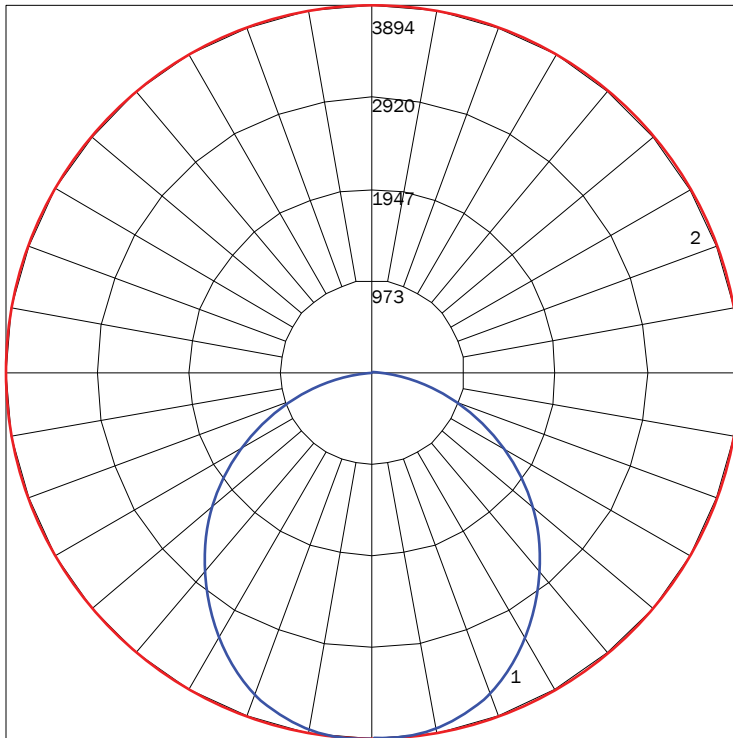
DIRECT

PN	SIZE (DIA)	LUMENS	WATTAGE
971LU	24D	3101	34
	36D	4608	51
	48D	6158	68
	60D	7766	85
	72D	9270	102
	84D	10743	118

IES INDOOR REPORT

PHOTOMETRIC FILENAME : 971LU 84 D 35K F05.IES

POLAR GRAPH



MAXIMUM CANDELA = 3893.9 LOCATED AT HORIZONTAL ANGLE = 90, VERTICAL ANGLE = 5
 # 1 - VERTICAL PLANE THROUGH HORIZONTAL ANGLES (90 - 270) (THROUGH MAX. CD.)
 # 2 - HORIZONTAL CONE THROUGH VERTICAL ANGLE (5) (THROUGH MAX. CD.)

LUMINAIRE LUMENS	10743
TOTAL LUMINAIRE EFFICIENCY	71%
LUMINAIRE EFFICACY RATING	91
TOTAL LUMINAIRE WATTS	118

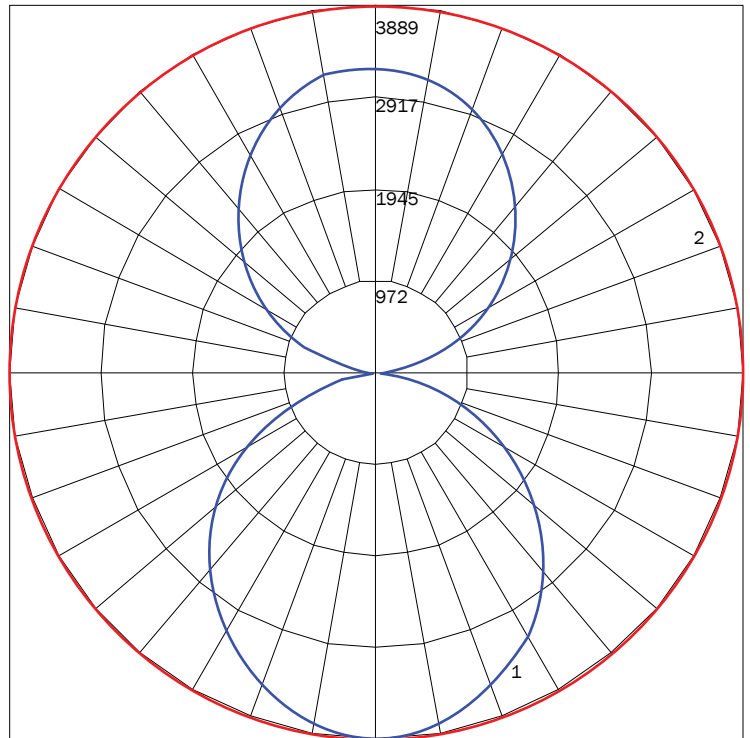
INDIRECT / DIRECT

PN	SIZE (DIA)	LUMENS	WATTAGE
971LU	24ID	6104	68
	36ID	9091	102
	48ID	12185	135
	60ID	15315	169
	72ID	18173	203
	84ID	21346	237

IES INDOOR REPORT

PHOTOMETRIC FILENAME : 971LU 84 ID 35K F05.IES

POLAR GRAPH



MAXIMUM CANDELA = 3889.18 LOCATED AT HORIZONTAL ANGLE = 67.5, VERTICAL ANGLE = 5
 # 1 - VERTICAL PLANE THROUGH HORIZONTAL ANGLES (67.5 - 247.5) (THROUGH MAX. CD.)
 # 2 - HORIZONTAL CONE THROUGH VERTICAL ANGLE (5) (THROUGH MAX. CD.)

LUMINAIRE LUMENS	21346
TOTAL LUMINAIRE EFFICIENCY	71%
LUMINAIRE EFFICACY RATING	90
TOTAL LUMINAIRE WATTS	237

NOTE: IES reflects one single Luna ring fixture each. Combine multiple for desired combination output.

LUNA ATOM™ 2 PENDANT

FINISHES



F04
MATTE
WHITE



F05
GLOSS
WHITE



F15
MATTE
BLACK



F16
GLOSS
BLACK



F09
PEWTER



F31
SILVER
METALLIC



F18
SATIN
ALUMINUM



F21
ARCH
BRONZE

PREMIUM FINISHES



RAL
CUSTOM
(RAL #)



F40
BUBBLE
PINK



F10
FIRE
RED



F41
ELECTRIC
PURPLE



F08
MIDNIGHT
BLUE



F39
AQUA
BLUE



F13
FOREST
GREEN



F38
MEADOW
GREEN



F45
COPPER
METALLIC



F06
CLAY
BROWN



F11
CITRUS
ORANGE



F28
DARK
CHAMPAGNE



F22
HARVEST
GOLD



F14
SUNSHINE
YELLOW



F33
PYRITE
BRONZE



F07
ZEUS
BROWN



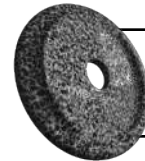
F32
BRONZE
METALLIC



F26
MELTED
COPPER



F25
MELTED
GOLD



F24
MELTED
PLATINUM



F44
FAUX
COPPER



F43
FAUX
GOLD



F42
FAUX
CHROME

NOTE: DISPLAYED FINISHES DIFFER BETWEEN SCREENS AS WELL AS PRINTERS AND MAY NOT ACCURATELY DEPICT COLOR.