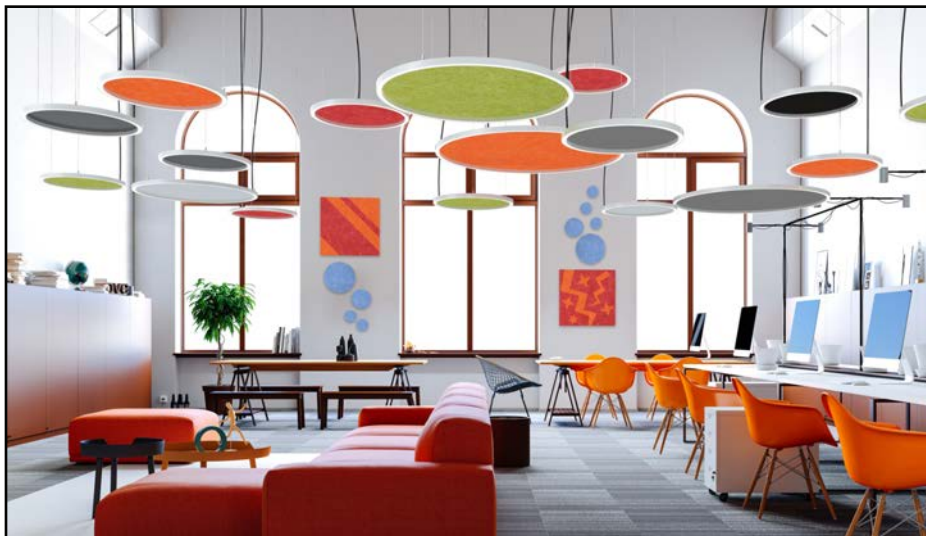


LUNA ACOUSTIC™ PENDANT

PROJECT: _____

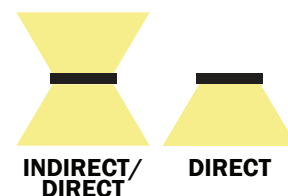
TYPE: _____

QUANTITY: _____



PN: 971LU

APPLICATION	<ul style="list-style-type: none"> • PENDANT MOUNT • INDOOR
DIMENSION	<ul style="list-style-type: none"> • 24", 36", AND 48" (61CM, 91CM, AND 122CM) • WIDTH: 1" (2CM) HEIGHT: 2.38" (6CM)
ILLUMINATION	<ul style="list-style-type: none"> • DIRECT OR INDIRECT/DIRECT • LED 90CRI • 3,101 - 12,185 LUMENS
DRIVER	<ul style="list-style-type: none"> • 120V, 277V, AND 347V • 10KA SURGE SUPPRESSION STANDARD
DIFFUSERS	<ul style="list-style-type: none"> • HIGH EFFICIENCY ACRYLIC
MOUNTING	<ul style="list-style-type: none"> • 96" (244CM) BLACK OR WHITE DROP CORD W/ AIRCRAFT CABLE
CONSTRUCTION	<ul style="list-style-type: none"> • ALUMINUM
FINISHES	<ul style="list-style-type: none"> • AVAILABLE IN SEVERAL TMS POWDER COATED FINISHES • CUSTOM RAL FINISHES AVAILABLE
DIMMING	<ul style="list-style-type: none"> • 0 - 10V STANDARD DIMMING • LUTRON HI - LUME (1%)
WEIGHT	<ul style="list-style-type: none"> • 34 LBS MAXIMUM



LUNA ACOUSTIC™ PENDANT



PROJECT: _____

TYPE: _____

QUANTITY: _____

971LU

1 2 3 4 5 6 7 8 9 10

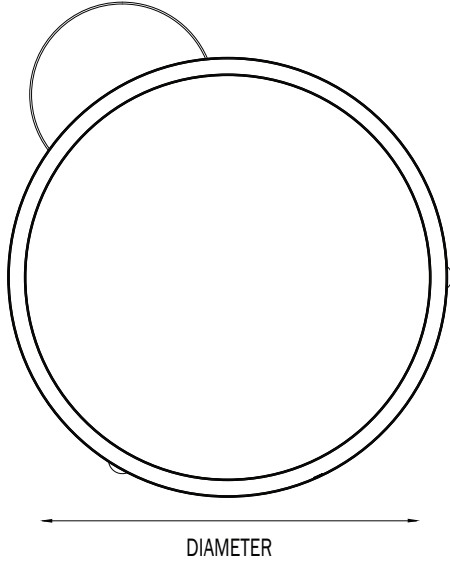
1. DIRECT											
DIAMETER (INCH)	24D			36D			48D				
	24" (61CM)			36" (91CM)			48" (122CM)				
LED (W)	34W			51W			68W				
LUMENS	3101			4608			4499				
INDIRECT/DIRECT											
DIAMETER (INCH)	24ID			36ID			48ID				
	24" (61CM)			36" (91CM)			48" (122CM)				
LED (W)	68W			102W			136W				
LUMENS	6104			9091			12185				
2.		H			M			L		C: ¹	
OUTPUT	100% LUMENS			75% LUMENS			50% LUMENS		[CUSTOM]% LUMENS		
3.		CW	MA	CA	RH	SG	HG	SL	CH		
ACOUSTIC COLOR	COCONUT WHITE		MARBLE	CAPPUCCINO	RHINO GREY	STEEL GREY	HEATHER GREY	SLATE	CHARCOAL		
	TA		RR	MT	GG	GA	LB	DO	CG		
	TANGERINE		RUBY RED	MANGO TWIST	GOLF GREEN	GREEN APPLE	LINEN BLUE	DEEP OCEAN	CYBER GRAPE		
4.		30K			35K			40K			
LED CCT	3000K			3500K			4000K				
5.		120			277			UNI			
VOLTAGE	120V			277V			120 - 277V				
6.		S					D				
CIRCUIT	SINGLE					DUAL					
7.		MM					PS				
MOUNTING	MULTIPLE AIRCRAFT CABLES					SINGLE PLATE W/ AIRCRAFT CABLES					
8.		BC					WC				
CORD	BLACK CORD					WHITE DROP CORD					
9.		F04	F05	F09	F15	F16	F18	F21	F31	F33	RAL
FINISH	MATTE WHITE	GLOSS WHITE	PEWTER	MATTE BLACK	GLOSS BLACK	SATIN ALUMINUM	ARCH BRONZE	SILVER METALLIC	PYRITE BRONZE	CUSTOM (SPECIFY)	
10.		DIML					DIME				
DIMMING	LED DIMMING (0 - 10V, CURRENT - SINKING)					LUTRON HI - LUME 1%					

1. CUSTOM PERCENTAGE I.E. 60%. CONSULT FACTORY.

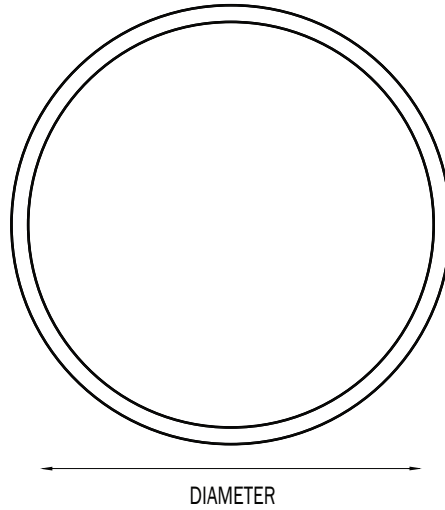
NOTE: SOME OPTIONS MAY NOT BE COMPATIBLE WITH OTHERS. ALL SPECIFICATIONS ARE SUBJECT TO CHANGE WITHOUT NOTICE. CONTACT TMS LIGHTING FOR UPDATED SPECIFICATIONS.

LUNA ACOUSTIC™ PENDANT

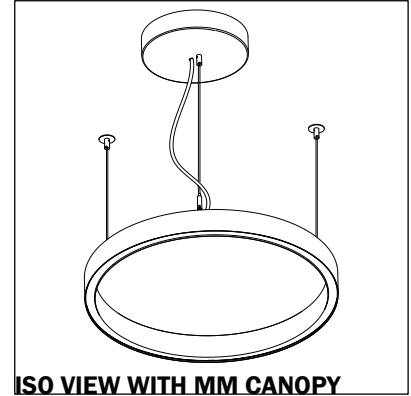
DIMENSIONAL DIAGRAMS



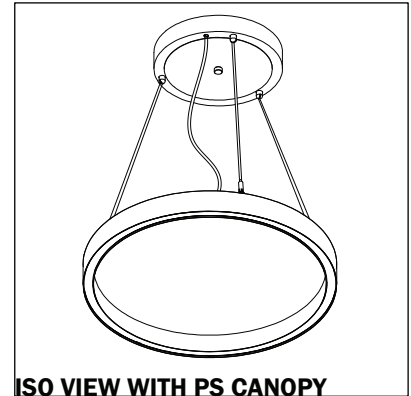
BOTTOM VIEW WITH MM CANOPY



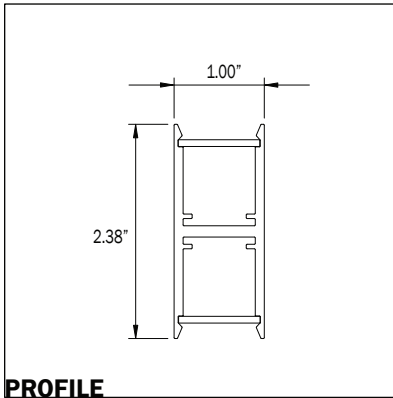
BOTTOM VIEW WITH PS CANOPY



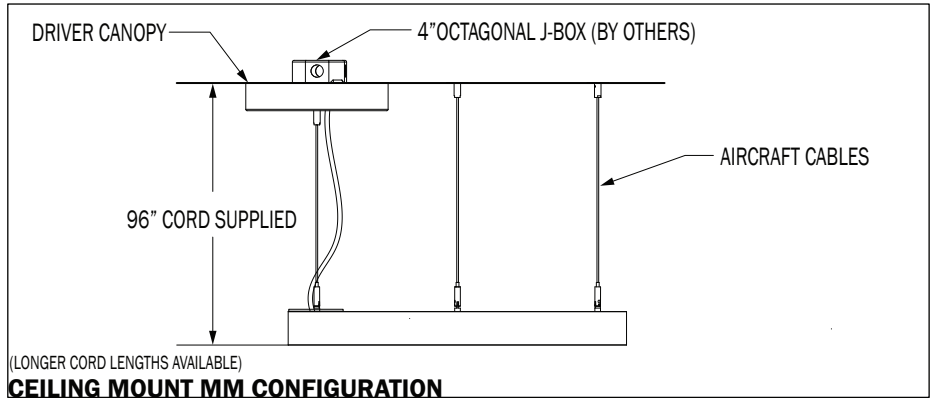
ISO VIEW WITH MM CANOPY



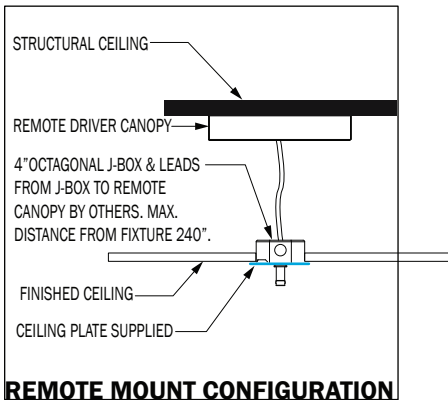
ISO VIEW WITH PS CANOPY



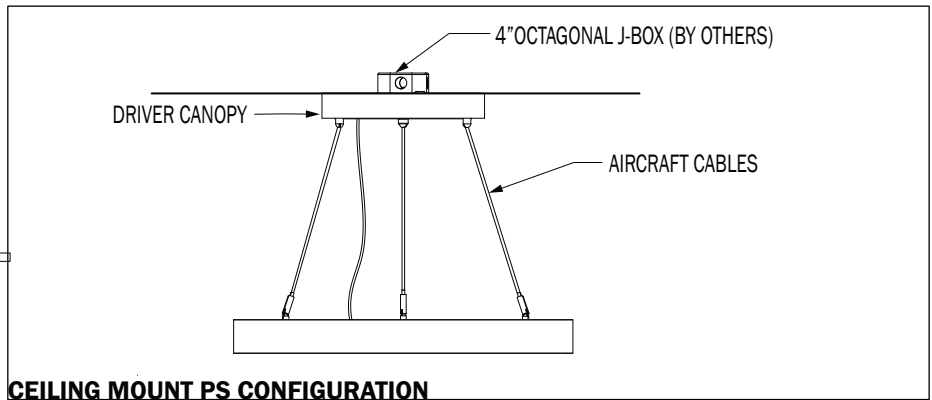
PROFILE



CEILING MOUNT MM CONFIGURATION



REMOTE MOUNT CONFIGURATION



CEILING MOUNT PS CONFIGURATION

LUNA ACOUSTIC™ PENDANT

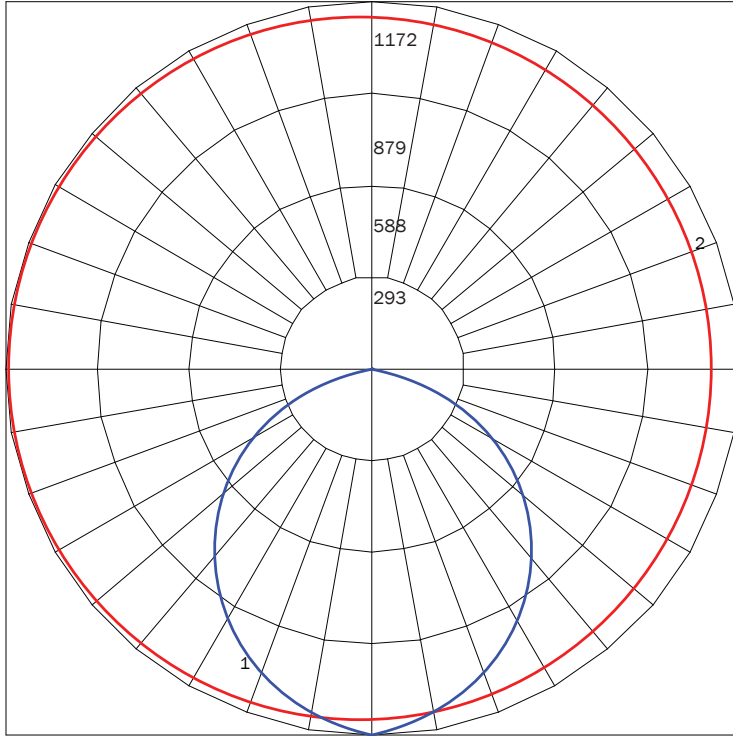
DIRECT

PN	SIZE (DIA)	LUMENS	WATTAGE	WEIGHT
971LU	24D	3101	34	16 LBS
	36D	4608	51	22 LBS
	48D	6158	68	32 LBS

IES INDOOR REPORT

PHOTOMETRIC FILENAME : 947LU 24D CH 35K F16.IES

POLAR GRAPH



MAXIMUM CANDELA = 1172.49 LOCATED AT HORIZONTAL ANGLE = 0, VERTICAL ANGLE = 0
 # 1 - VERTICAL PLANE THROUGH HORIZONTAL ANGLES (0 - 180) (THROUGH MAX. CD)
 # 2 - HORIZONTAL CONE THROUGH VERTICAL ANGLE (0) (THROUGH MAX. CD)

LUMINAIRE LUMENS	3101
TOTAL LUMINAIRE EFFICIENCY	72%
LUMINAIRE EFFICACY RATING	92
TOTAL LUMINAIRE WATTS	34

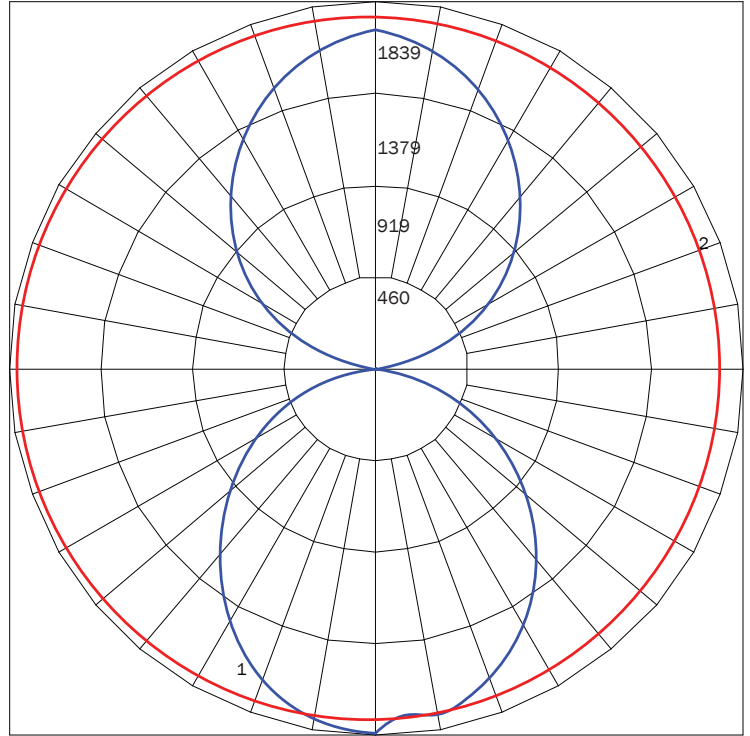
INDIRECT / DIRECT

PN	SIZE (DIA)	LUMENS	WATTAGE	WEIGHT
971LU	24D	6104	68	18 LBS
	36D	9091	102	24 LBS
	48D	12185	136	34 LBS

IES INDOOR REPORT

PHOTOMETRIC FILENAME : 947LU 48D CH 35K F16.IES

POLAR GRAPH



MAXIMUM CANDELA = 1838.81 LOCATED AT HORIZONTAL ANGLE = 180, VERTICAL ANGLE = 5
 # 1 - VERTICAL PLANE THROUGH HORIZONTAL ANGLES (180 - 0) (THROUGH MAX. CD)
 # 2 - HORIZONTAL CONE THROUGH VERTICAL ANGLE (5) (THROUGH MAX. CD)

LUMINAIRE LUMENS	12185
TOTAL LUMINAIRE EFFICIENCY	71%
LUMINAIRE EFFICACY RATING	90
TOTAL LUMINAIRE WATTS	135

LUNA ACOUSTIC™ PENDANT

AVAILABLE FINISHES



F04
MATTE
WHITE



F05
GLOSS
WHITE



F09
PEWTER



F15
MATTE
BLACK



F16
GLOSS
BLACK



F18
SATIN
ALUMINUM



F21
ARCH
BRONZE



F31
SILVER
METALLIC

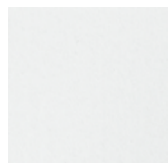


F33
PYRITE
BRONZE



RAL
CUSTOM
COLOR
(RAL #)

ACOUSTIC COLOURS



CW
COCONUT
WHITE



MA
MARBLE



CA
CAPPUCCINO



RG
RHINO
GREY



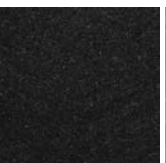
SG
STEEL
GREY



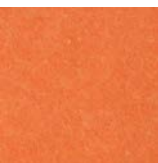
HG
HEATHER
GREY



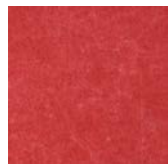
SL
SLATE



CH
CHARCOAL



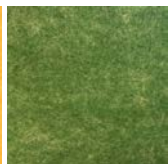
TA
TANGERINE



RR
RUBY
RED



MT
MANGO
TWIST



GG
GOLF
GREEN



GA
GREEN
APPLE



LB
LINEN
BLUE



DO
DEEP
OCEAN



CG
CYBER
GRAPE

NOTE: DISPLAYED FINISHES DIFFER BETWEEN SCREENS AS WELL AS PRINTERS AND MAY NOT ACCURATELY DEPICT COLOR.