

LINDA™ PENDANT

PROJECT: _____

TYPE: _____

QUANTITY: _____



PN: 300LI

APPLICATION	<ul style="list-style-type: none">• PENDANT MOUNT• INDOOR RATED
DIMENSION	<ul style="list-style-type: none">• 10" DIA, 24" DIA (25CM, 61CM)
ILLUMINATION	<ul style="list-style-type: none">• DIRECT• LED 90CRI• 179 - 309 LUMENS
ELECTRICAL	<ul style="list-style-type: none">• 120 - 277V (347V CONSULT FACTORY)• 10kA SURGE SUPPRESSION STANDARD
DIFFUSERS	<ul style="list-style-type: none">• HIGH EFFICIENCY ACRYLIC
MOUNTING	<ul style="list-style-type: none">• 120" (305CM) BLACK OR WHITE DROP CORD W/ AIRCRAFT CABLE
CONSTRUCTION	<ul style="list-style-type: none">• STEEL
FINISHES	<ul style="list-style-type: none">• AVAILABLE IN SEVERAL TMS SPECIALTY, PLATED, AND POWDER COATED FINISHES• CUSTOM RAL FINISHES AVAILABLE
DIMMING	<ul style="list-style-type: none">• 0 - 10V STANDARD DIMMING
WEIGHT	<ul style="list-style-type: none">• 20 LBS MAXIMUM



DIRECT

LINDA™ PENDANT



PROJECT: _____

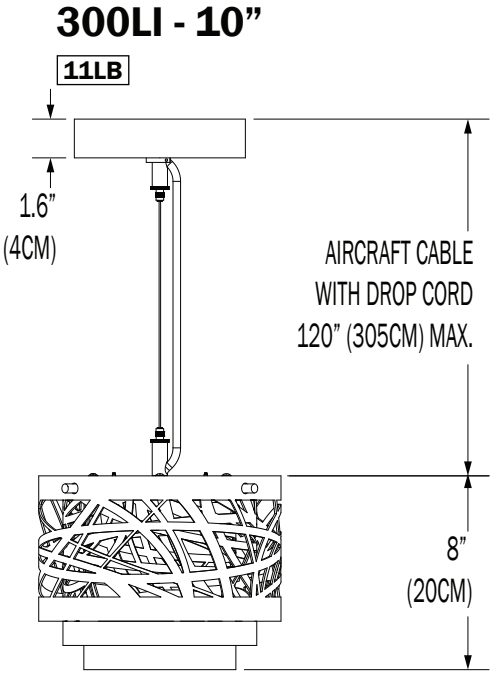
TYPE: _____

QUANTITY: _____

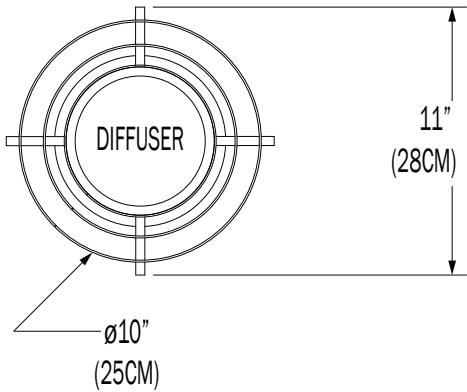
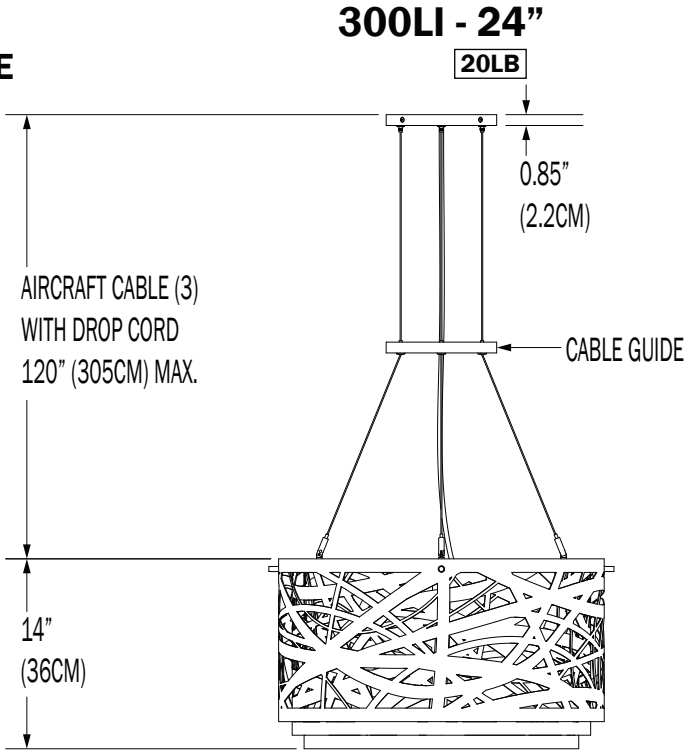
300LI - - - - - 1 - - - - - 2 - - - - - 3 - - - - - 4 - - - - - 5 - - - - - 6 - - - - - 7 - - - - -

1.	10					24				
DIAMETER	10" DIA (25CM)					24" DIA (61CM)				
LED (W)	10W					42W				
LUMENS	309					---				
2.	10LED					42LED				
ILLUMINATION	10W LED					42W LED				
3.	30K			35K			40K			
LED CCT	3000K			3500K			4000K			
4.	120					277				
VOLTAGE	120V					277V				
5.	BC					WC				
CORD	BLACK DROP CORD					WHITE DROP CORD				
6.	SS	PS	SN	CH	BC	AC	AB	SB	PB	F04
FINISH	STAINLESS STEEL	STAINLESS STEEL (MIRROR POLISHED)	SATIN NICKEL	CHROME	BLACK CHROME	ANTIQUE COPPER	ANTIQUE BRASS	SATIN BRASS	POLISHED BRASS	MATTE WHITE
	F05	F08	F09	F10	F13	F14	F15	F16	F18	F21
	GLOSS WHITE	MIDNIGHT BLUE	PEWTER	FIRE RED	FOREST GREEN	SUNSHINE YELLOW	MATTE BLACK	GLOSS BLACK	SATIN ALUMINUM	ARCH BRONZE
	F24	F25	F26	F31	F32	F33	RAL			
	MELTED PLATINUM	MELTED GOLD	MELTED COPPER	SILVER METALLIC	BRONZE METALLIC	PYRITE BRONZE	CUSTOM (SPECIFY)			
7.	---					DIML				
DIMMING	NONE					LED DIMMING (0 - 10V, CURRENT - SINKING)				

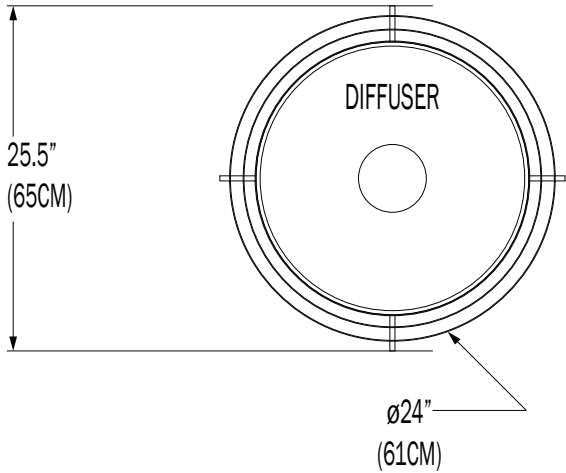
NOTE: SOME OPTIONS MAY NOT BE COMPATIBLE WITH OTHERS. ALL SPECIFICATIONS ARE SUBJECT TO CHANGE WITHOUT NOTICE. CONTACT TMS LIGHTING FOR UPDATED SPECIFICATIONS.



PROFILE



BOTTOM



CUSTOM

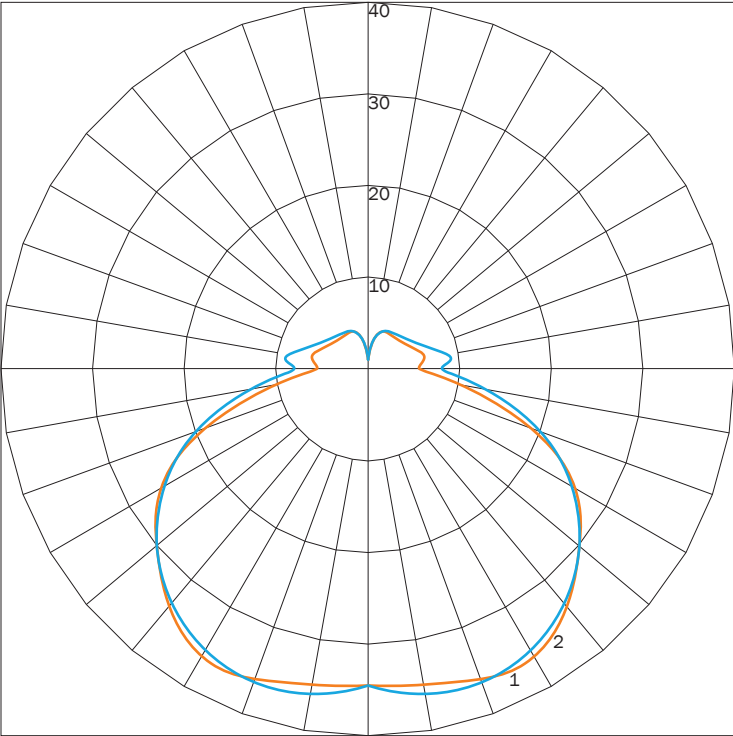
NOTE: THIS FIXTURE CAN BE CUSTOMIZE. DIMENSION, LAMP TYPES, ENCLOSURE, AND COLOR CAN BE MODIFIED TO SUIT YOUR LIGHTING AND ARCHITECTURAL REQUIREMENTS. CONTACT YOUR LOCAL REPRESENTATIVE FOR MORE DETAILS: <https://tmslighting.com/sales-agents.html>

DIRECT

PN	SIZE (DIA)	FINISH	LUMENS	WATTAGE
300LI	10	F31	179	10
		F32	309	10

IES INDOOR REPORT
PHOTOMETRIC FILENAME : 300LI 10 10LED F32.IES

POLAR GRAPH

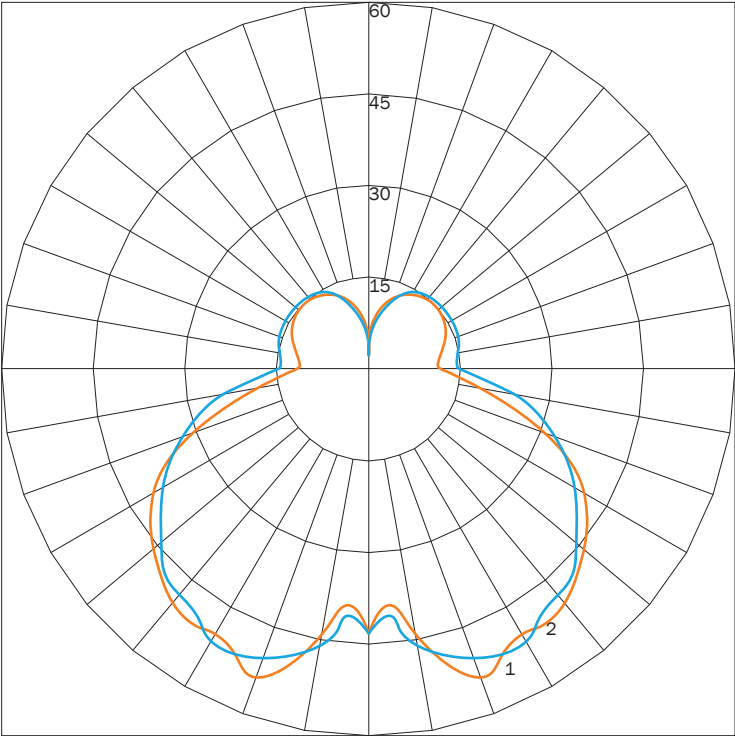


MAXIMUM CANDELA = 39.97 LOCATED AT HORIZONTAL ANGLE = 105, VERTICAL ANGLE = 20
 # 1 - VERTICAL PLANE THROUGH HORIZONTAL ANGLES (90 - 270)
 # 2 - VERTICAL PLANE THROUGH HORIZONTAL ANGLES (0 - 180)

LUMINAIRE LUMENS 179
TOTAL LUMINAIRE EFFICIENCY NA
LUMINAIRE EFFICACY RATING 26
TOTAL LUMINAIRE WATTS 7

IES INDOOR REPORT
PHOTOMETRIC FILENAME : 300LI 10 10LED F31.IES

POLAR GRAPH



MAXIMUM CANDELA = 54.49 LOCATED AT HORIZONTAL ANGLE = 105, VERTICAL ANGLE = 25
 # 1 - VERTICAL PLANE THROUGH HORIZONTAL ANGLES (90 - 270)
 # 2 - VERTICAL PLANE THROUGH HORIZONTAL ANGLES (0 - 180)

LUMINAIRE LUMENS 309
TOTAL LUMINAIRE EFFICIENCY NA
LUMINAIRE EFFICACY RATING 26
TOTAL LUMINAIRE WATTS 12

AVAILABLE FINISHES



SS
STAINLESS
STEEL



PS
STAINLESS
STEEL
(MIRROR POLISHED)



SN
SATIN
NICKEL



CH
CHROME



BC
BLACK
CHROME



AC
ANTIQU
COPPER



AB
ANTIQU
BRASS



SB
SATIN
BRASS



PB
POLISH
ED
BRASS



F04
MATTE
WHITE



F05
GLOSS
WHITE



F08
MIDNIGHT
BLUE



F09
PEWTER



F10
FIRE
RED



F13
FOREST
GREEN



F14
SUNSHINE
YELLOW



F15
MATTE
BLACK



F16
GLOSS
BLACK



F18
SATIN
ALUMINUM



F21
ARCH
BRONZE



F24
MELTED
PLATINUM



F25
MELTED
GOLD



F26
MELTED
COPPER



F31
SILVER
METALLIC



F32
METALLIC
BRONZE



F33
PYRITE
BRONZE



RAL
CUSTOM
COLOR
(RAL #)

NOTE: DISPLAYED FINISHES DIFFER BETWEEN SCREENS AS WELL AS PRINTERS AND MAY NOT ACCURATELY DEPICT COLOR.