

PROJECT: _____

TYPE: _____

QUANTITY: _____



PN: LIL

| | |
|---------------------|--|
| APPLICATION | <ul style="list-style-type: none"> • PENDANT MOUNT • INDOOR OR OUTDOOR RATED |
| DIMENSION | <ul style="list-style-type: none"> • 7.75" (20CM) |
| ILLUMINATION | <ul style="list-style-type: none"> • DIRECT • LED 90CRI • 691 - 949 LUMENS |
| ELECTRICAL | <ul style="list-style-type: none"> • 120V, 277V AND 347V • 10kA SURGE SUPPRESSION STANDARD |
| DIFFUSERS | <ul style="list-style-type: none"> • HIGH EFFICIENCY ACRYLIC |
| MOUNTING | <ul style="list-style-type: none"> • 120" (305CM) BLACK OR WHITE DROP CORD W/ AIRCRAFT CABLE • 1" TO 60" (2.5CM TO 152CM) STEM MOUNT |
| CONSTRUCTION | <ul style="list-style-type: none"> • ALUMINUM |
| FINISHES | <ul style="list-style-type: none"> • AVAILABLE IN SEVERAL TMS SPECIALTY, AND POWDER COATED FINISHES • CUSTOM RAL FINISHES AVAILABLE |
| DIMMING | <ul style="list-style-type: none"> • 0 - 10V STANDARD DIMMING |
| WEIGHT | <ul style="list-style-type: none"> • 4.6LBS MAXIMUM |

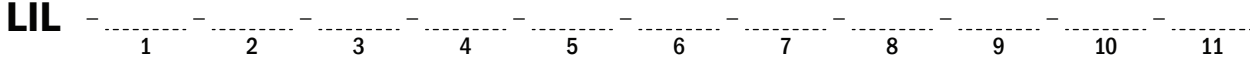




PROJECT: _____

TYPE: _____

QUANTITY: _____



| | | |
|-------------|----------|----------|
| 1. | I | O |
| APPLICATION | INDOOR | OUTDOOR |

| | | |
|-----------|---------------------------------|--------------|
| 2. | ILLUMINATION¹ | |
| | 60IN | 10LED |
| LED (W) | 60W (MAX 100W) | 10W |
| LUMENS | 691 | 949 |

| | | | | | | | | | |
|-----------|--------------------------|-------------------------|------------------------|-------------------------|-------------------------|-------------------------|-------------------------|--------------------------|--------------------------|
| 3. | CRD | C01 | C06 | C12 | C18 | C24 | C36 | C48 | C60 |
| MOUNTING | 120"(305CM) DROP CORD | 1"(2.5CM) STEM MOUNT | 6"(15CM) STEM MOUNT | 12"(31CM) STEM MOUNT | 18"(46CM) STEM MOUNT | 24"(61CM) STEM MOUNT | 36"(91CM) STEM MOUNT | 48"(122CM) STEM MOUNT | 60"(152CM) STEM MOUNT |

| | | |
|-----------|-----------------|-----------------|
| 4. | BC | WC |
| CORD | BLACK DROP CORD | WHITE DROP CORD |

| | | | | |
|-----------|------------|------------|------------|------------|
| 5. | --- | 30K | 35K | 40K |
| LED CCT | NONE | 3000K | 3500K | 4000K |

| | | | |
|-----------|------------|------------|------------|
| 6. | 120 | 277 | 347 |
| VOLTAGE | 120V | 277V | 347V |

| | | | | | | | | | | |
|---------------------|--|---------------|---------------|-----------------|---------------|--------------|-----------------|--------------|-----------------|-----------------|
| 7. | ADDITIONAL AND PREMIUM FINISHES AVAILABLE. SEE FINISHES CHART | | | F04 | F05 | F15 | F16 | F09 | F31 | F18 |
| FINISH ² | | | | MATTE WHITE | GLOSS WHITE | MATTE BLACK | GLOSS BLACK | PEWTER | SILVER METALLIC | SATIN ALUMINUM |
| | F06 | F07 | F08 | F10 | F11 | F13 | F14 | F21 | F22 | F24 |
| | CLAY BROWN | ZEUS BROWN | MIDNIGHT BLUE | FIRE RED | CITRUS ORANGE | FOREST GREEN | SUNSHINE YELLOW | ARCH. BRONZE | HARVEST GOLD | MELTED PLATINUM |
| | F25 | F26 | F28 | F32 | F33 | F34 | F38 | F39 | F40 | F41 |
| | MELTED GOLD | MELTED COPPER | DARK CAMPAGNE | BRONZE METALLIC | PYRITE BRONZE | BURNT ORANGE | MEADOW GREEN | AQUA BLUE | BUBBLE PINK | ELECTRIC PURPLE |

| | | |
|----------------------|------------|--|
| 8. | --- | DIML |
| DIMMING ³ | NONE | LED DIMMING (0 - 10V, CURRENT - SINKING) |

| | | | | | |
|------------------------|------------|-----------|--------------------|------------|------------------|
| 9. | --- | EM | EMC | EMR | EMCR |
| EMERGENCY ⁴ | NONE | INTEGRAL | INTEGRAL COLD PACK | REMOTE | REMOTE COLD PACK |

| | | | |
|--------------------------------------|------------|--|-------------------------------|
| 10. | --- | BL | ACC |
| MOUNTING ⁵ ACCESSORIES | NONE | CEILING SLOPE ADAPTER FOR STEM MOUNT (30°) | AIRCRAFT CABLE FOR DROP CORDS |

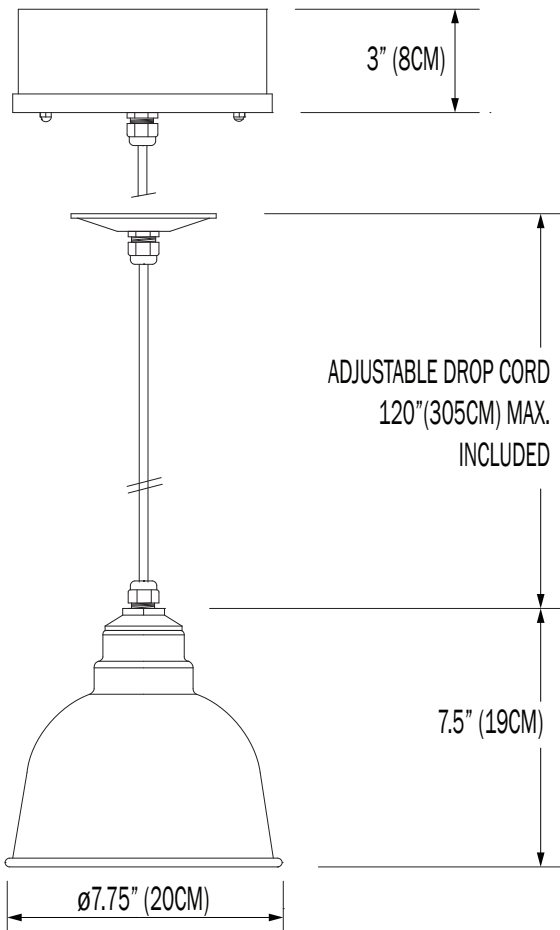
| | | |
|------------|------------|----------------------|
| 11. | --- | W8 |
| WIRE GUARD | NONE | 8" (20CM) WIRE GUARD |

1. INCANDESCENT SYSTEM USE A MEDIUM BASE SOCKET (E26) 4. 10W AT 90 MINUTES. EMERGENCY OPTION IS ONLY AVAILABLE IN 120 - 277V SYSTEMS
 2. A CLEAR COAT IS APPLIED TO COPPER. PATINA WILL FORM OVER TIME 5. MAY REQUIRE TO COMPLY WITH LOCAL SEISMIC/EARTHQUAKE CODE
 3. DIMMING IS NOT AVAILABLE FOR OUTDOOR OF APPLICATION

NOTE: SOME OPTIONS MAY NOT BE COMPATIBLE WITH OTHERS. ALL SPECIFICATIONS ARE SUBJECT TO CHANGE WITHOUT NOTICE. CONTACT TMS LIGHTING FOR UPDATED SPECIFICATIONS.

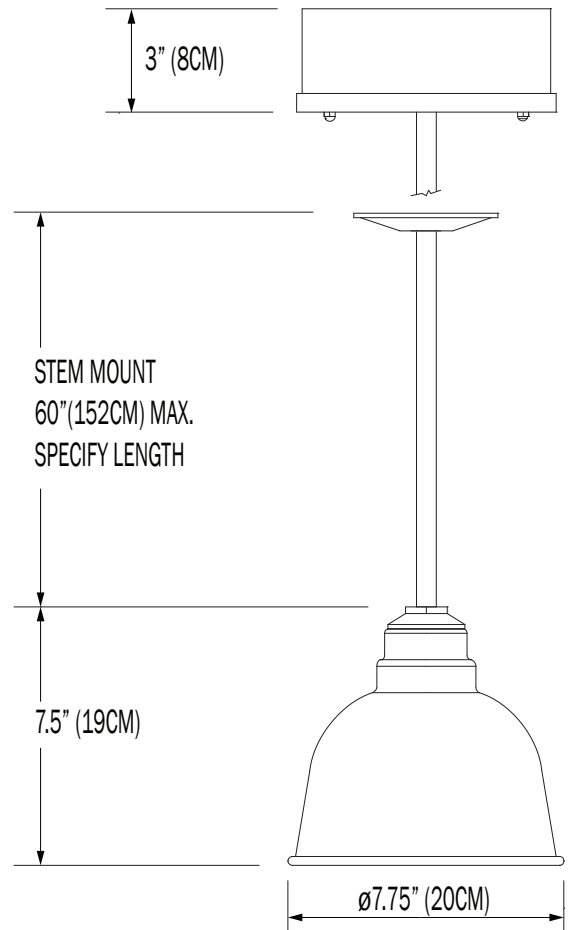
DROP CORD MOUNT

OPTIONAL LED DRIVER OR
CF/MH BALLAST



STEM MOUNT

OPTIONAL LED DRIVER OR
CF/MH BALLAST



CUSTOM

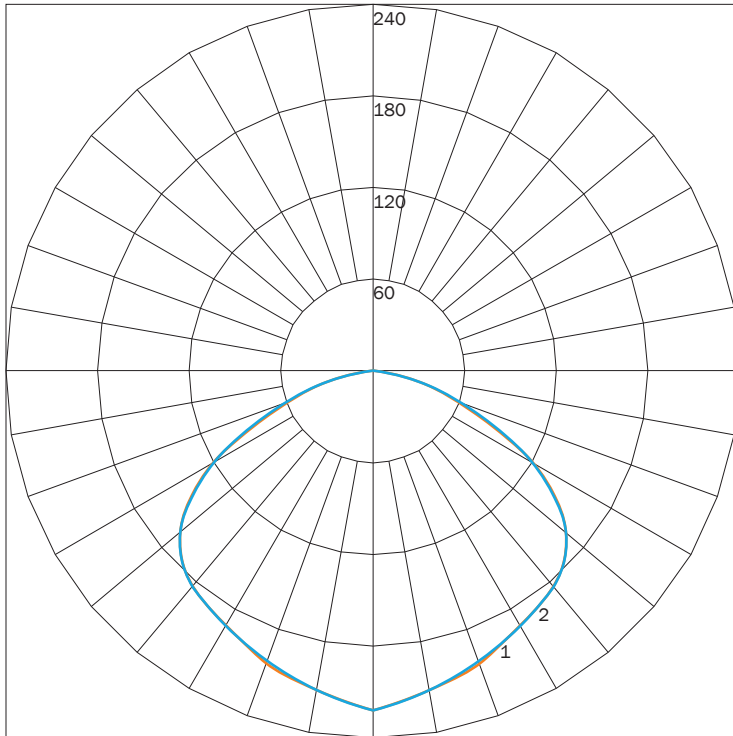
NOTE: THIS FIXTURE CAN BE CUSTOMIZE. DIMENSION, LAMP TYPES, ENCLOSURE, AND COLOR CAN BE MODIFIED TO SUIT YOUR LIGHTING AND ARCHITECTURAL REQUIREMENTS. CONTACT YOUR LOCAL REPRESENTATIVE FOR MORE DETAILS: <https://tmslighting.com/sales-agents.html>

DIRECT

| PN | ILLUMINATION | LUMENS | WATTAGE |
|-----|--------------|--------|---------|
| LIL | 60INC | 691 | 60 |
| | 10LED | 949 | 10 |

IES INDOOR REPORT
PHOTOMETRIC FILENAME : LIL 60IN.IES

POLAR GRAPH

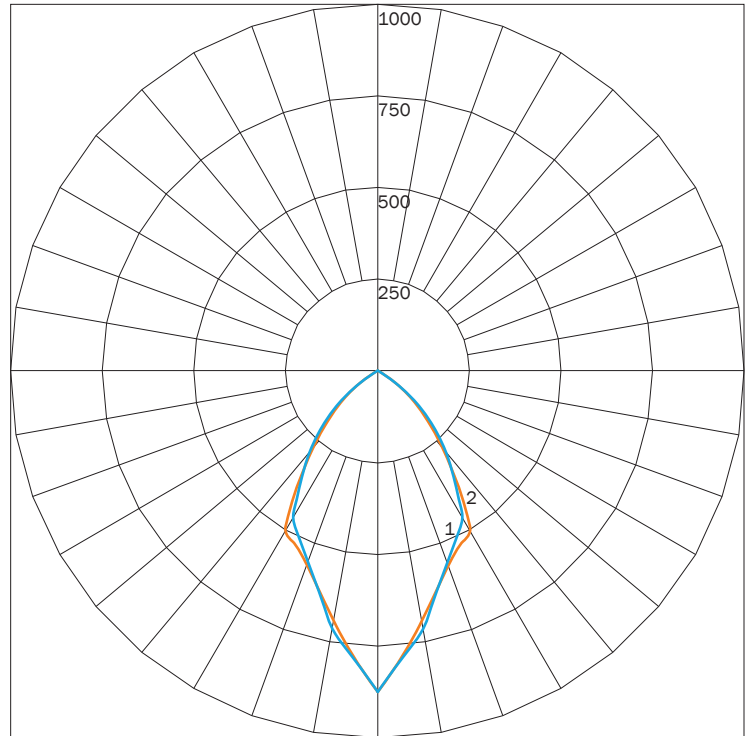


MAXIMUM CANDELA = 222.03 LOCATED AT HORIZONTAL ANGLE = 0, VERTICAL ANGLE = 0
 # 1 - VERTICAL PLANE THROUGH HORIZONTAL ANGLES (90 - 270)
 # 2 - VERTICAL PLANE THROUGH HORIZONTAL ANGLES (0 - 180)

LUMINAIRE LUMENS 691
TOTAL LUMINAIRE EFFICIENCY NA
LUMINAIRE EFFICACY RATING 12
TOTAL LUMINAIRE WATTS 60

IES INDOOR REPORT
PHOTOMETRIC FILENAME : LIL 10LED.IES

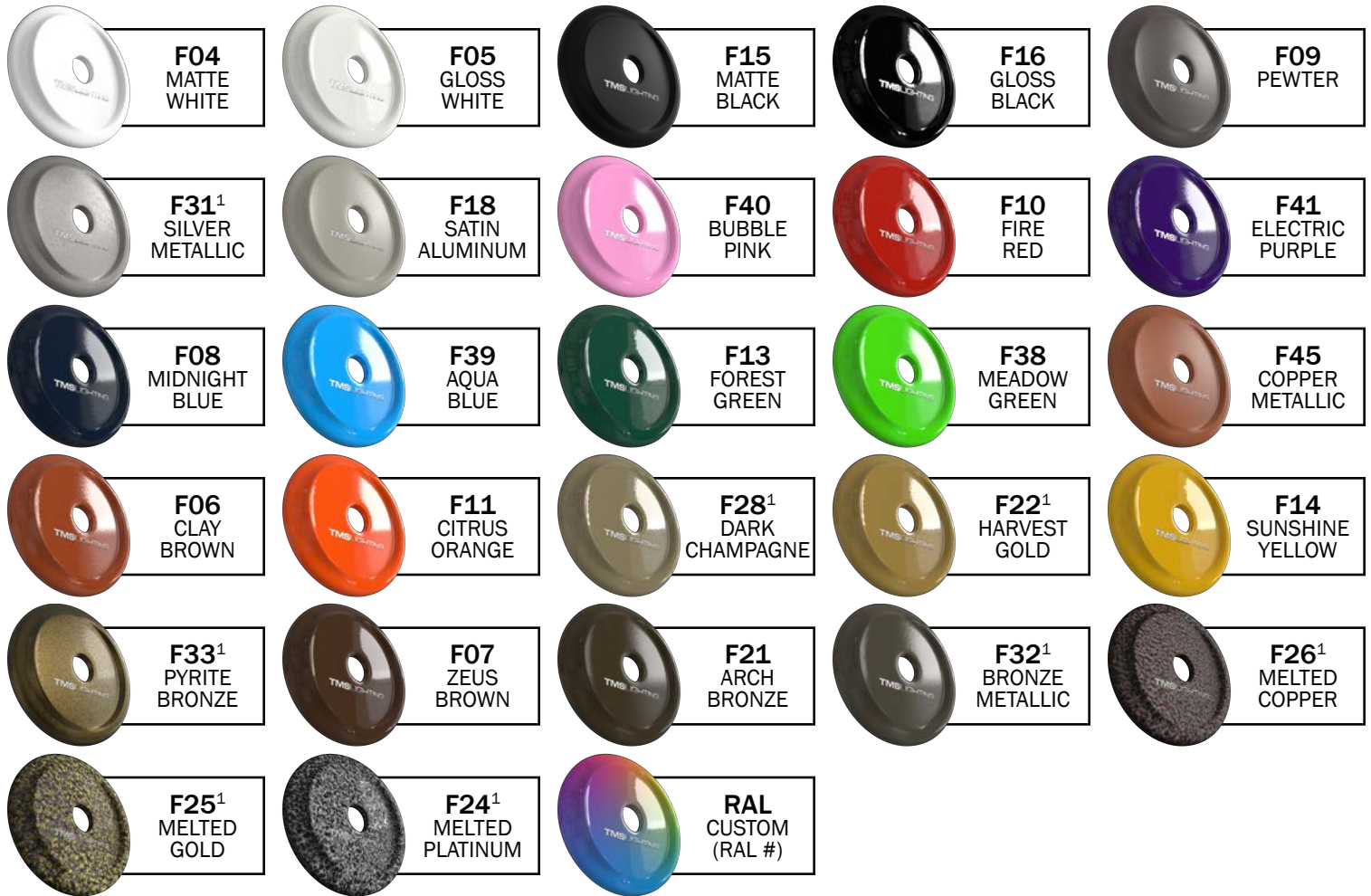
POLAR GRAPH



MAXIMUM CANDELA = 874.88 LOCATED AT HORIZONTAL ANGLE = 0, VERTICAL ANGLE = 0
 # 1 - VERTICAL PLANE THROUGH HORIZONTAL ANGLES (90 - 270)
 # 2 - VERTICAL PLANE THROUGH HORIZONTAL ANGLES (0 - 180)

LUMINAIRE LUMENS 949
TOTAL LUMINAIRE EFFICIENCY NA
LUMINAIRE EFFICACY RATING 79
TOTAL LUMINAIRE WATTS 12

FINISHES



PREMIUM FINISHES



PREMIUM MATERIALS



1: FINISHES IS APPLIED TO THE INTERIOR AND EXTERIOR OF THE FIXTURE.
 2: MATERIALS ARE CONSISTENT (INTERIOR & EXTERIOR). STEMS AND CANOPIES WILL BE F16 GLOSS BLACK.
 NOTE: ALL FINISHES NOT MARKED WITH NOTATION (1) ARE APPLIED TO THE EXTERIOR ONLY. THE INTERIOR WILL BE F05 GLOSS WHITE.
 MATTE FINISHES AVAILABLE. CONSULT FACTORY.
 FINISHES ARE SUBJECT TO AVAILABILITY AND MAY NOT BE APPLICABLE TO ALL FIXTURES OR FOR QUICKSHIP.
 DISPLAYED FINISHES DIFFER BETWEEN SCREENS AS WELL AS PRINTERS AND MAY NOT ACCURATELY DEPICT COLOR.