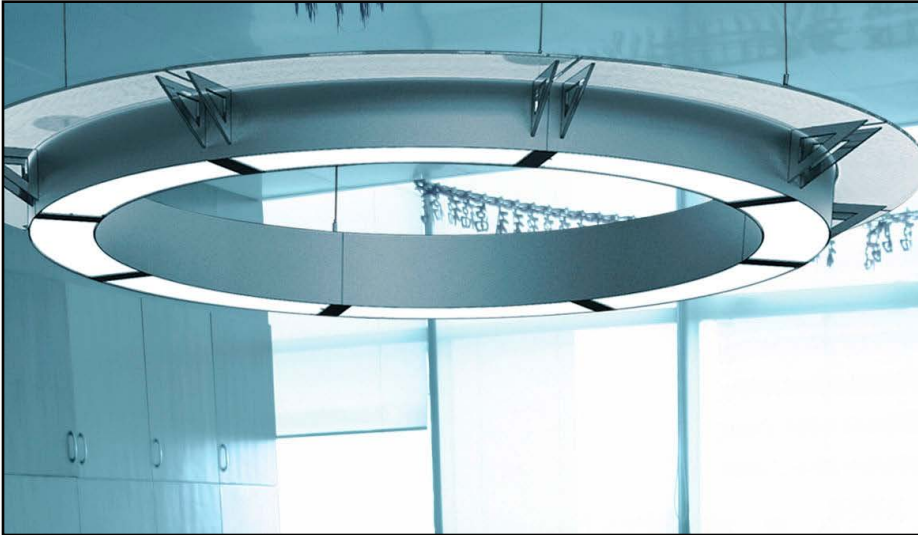


# KRUZITTI™ PENDANT

PROJECT: \_\_\_\_\_

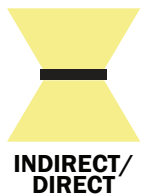
TYPE: \_\_\_\_\_

QUANTITY: \_\_\_\_\_



## PN: 999KR

<b>APPLICATION</b>	<ul style="list-style-type: none"><li>• PENDANT MOUNT</li><li>• INDOOR RATED</li></ul>
<b>DIMENSION</b>	<ul style="list-style-type: none"><li>• 88" DIA X 5.50"H (224CM X 14CM)</li></ul>
<b>ILLUMINATION</b>	<ul style="list-style-type: none"><li>• INDIRECT/DIRECT</li><li>• LED 90CRI</li><li>• 7,039 - 10,841 LUMENS</li></ul>
<b>ELECTRICAL</b>	<ul style="list-style-type: none"><li>• 120 - 277V (347V CONSULT FACTORY)</li><li>• 10kA SURGE SUPPRESSION STANDARD</li></ul>
<b>DIFFUSERS</b>	<ul style="list-style-type: none"><li>• HIGH EFFICIENCY ACRYLIC</li></ul>
<b>MOUNTING</b>	<ul style="list-style-type: none"><li>• 120" (305CM) BLACK OR WHITE DROP CORD W/ AIRCRAFT CABLES</li></ul>
<b>CONSTRUCTION</b>	<ul style="list-style-type: none"><li>• ACRYLIC AND STEEL</li></ul>
<b>FINISHES</b>	<ul style="list-style-type: none"><li>• AVAILABLE ANODIZED, IN SEVERAL TMS PLATED, AND POWDER COATED FINISHES</li><li>• CUSTOM RAL FINISHES AVAILABLE</li></ul>
<b>DIMMING</b>	<ul style="list-style-type: none"><li>• 0 - 10V STANDARD DIMMING (1%)</li></ul>
<b>WEIGHT</b>	<ul style="list-style-type: none"><li>• 110 LBS MAXIMUM</li></ul>



# TMSLIGHTING



# KRUZITTI™ PENDANT



PROJECT: \_\_\_\_\_

TYPE: \_\_\_\_\_

QUANTITY: \_\_\_\_\_

**999KR**

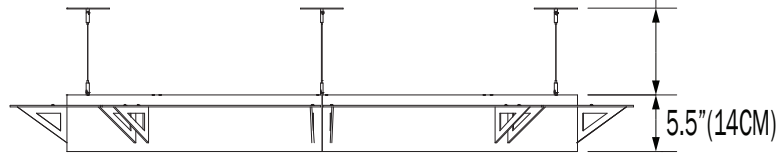
1      2      3      4      5      6      7

<b>1.</b>	<b>ILLUMINATION</b>									
	<b>224LED</b>									
	LED (W)	224W								
LUMENS	10841									
<b>2.</b>	<b>30K</b>			<b>35K</b>			<b>40K</b>			
	LED CCT	3000K			3500K			4000K		
<b>3.</b>	<b>120</b>					<b>277</b>				
	VOLTAGE	120V					277V			
<b>4.</b>	<b>MM</b>					<b>PS</b>				
	MOUNTING	MULTIPLE AIRCRAFT CABLES					SINGLE PLATE W/ AIRCRAFT CABLES			
<b>5.</b>	<b>BC</b>					<b>WC</b>				
	CORD	BLACK DROP CORD					WHITE DROP CORD			
<b>6.</b>	<b>AN</b>	<b>BR</b>	<b>CH</b>	<b>BC</b>	<b>SN</b>	<b>SB</b>	<b>AC</b>	<b>AB</b>	<b>PB</b>	<b>F04</b>
	ANODIZED (SILVER)	BRUSHED ALUMINUM	CHROME	BLACK CHROME	SATIN NICKEL	SATIN BRASS	ANTIQUÉ COPPER	ANTIQUÉ BRASS	POLISHED BRASS	MATTE WHITE
	<b>F05</b>	<b>F07</b>	<b>F08</b>	<b>F09</b>	<b>F10</b>	<b>F13</b>	<b>F14</b>	<b>F15</b>	<b>F16</b>	<b>F18</b>
	GLOSS WHITE	ZEUS BROWN	MIDNIGHT BLUE	PEWTER	FIRE RED	FOREST GREEN	SUNSHINE YELLOW	MATTE BLACK	GLOSS BLACK	SATIN ALUMINUM
	<b>F21</b>	<b>F24</b>	<b>F25</b>	<b>F26</b>	<b>F31</b>	<b>F32</b>	<b>F33</b>	<b>F45</b>	<b>RAL</b>	
ARCH BRONZE	MELTED PLATINUM	MELTED GOLD	MELTED COPPER	SILVER METALLIC	BRONZE METALLIC	PYRITE BRONZE	COPPER METALLIC	CUSTOM (SPECIFY)		
<b>7.</b>	---					<b>DIML</b>				
	DIMMING	NONE					LED DIMMING (1 - 10V, CURRENT - SINKING)			

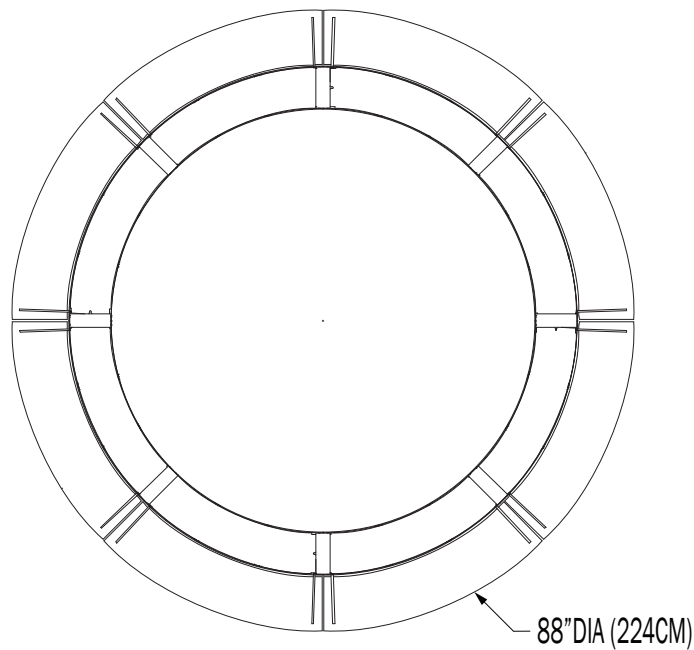
NOTE: SOME OPTIONS MAY NOT BE COMPATIBLE WITH OTHERS. ALL SPECIFICATIONS ARE SUBJECT TO CHANGE WITHOUT NOTICE. CONTACT TMS LIGHTING FOR UPDATED SPECIFICATIONS.

## 999KR

ADJUSTABLE DROP CORD  
120"(305CM) MAX.  
INCLUDED



**PROFILE**



**BOTTOM**

### CUSTOM

NOTE: THIS FIXTURE CAN BE CUSTOMIZE. DIMENSION, LAMP TYPES, ENCLOSURE, AND COLOR CAN BE MODIFIED TO SUIT YOUR LIGHTING AND ARCHITECTURAL REQUIREMENTS. CONTACT YOUR LOCAL REPRESENTATIVE FOR MORE DETAILS: <https://tmslighting.com/sales-agents.html>

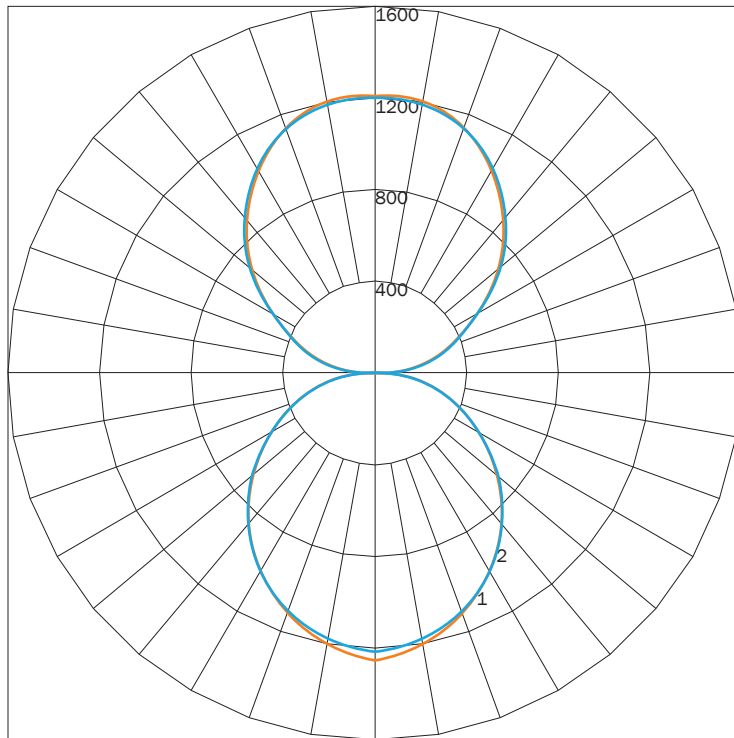
## INDIRECT/DIRECT

PN	FINISH	LUMENS	WATTAGE
999KR	F32	7039	224
	F05	10841	224

### IES INDOOR REPORT

PHOTOMETRIC FILENAME : 999KR 224LED F32 OP.IES

### POLAR GRAPH



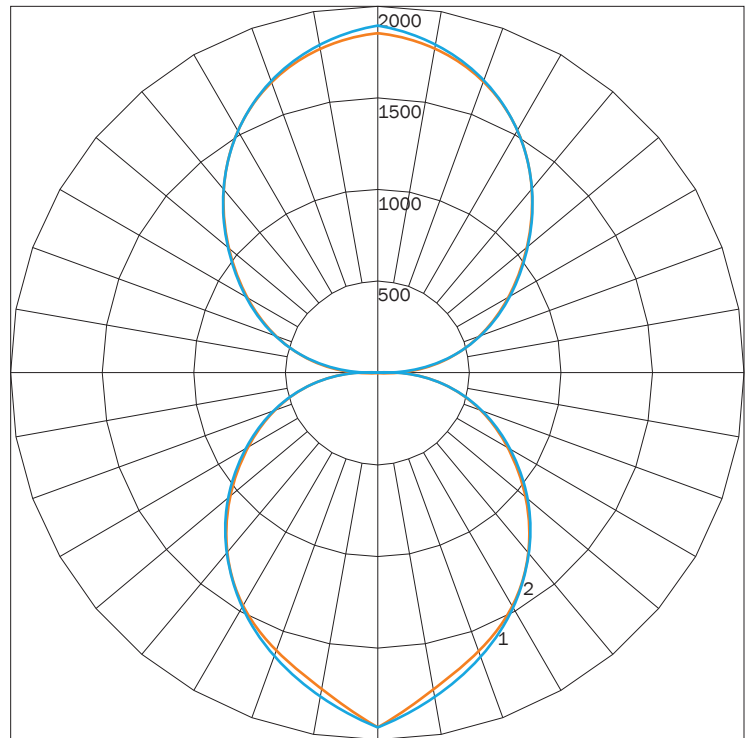
MAXIMUM CANDELA = 1331.01 LOCATED AT HORIZONTAL ANGLE = 90, VERTICAL ANGLE = 5  
 # 1 - VERTICAL PLANE THROUGH HORIZONTAL ANGLES (90 - 270)  
 # 2 - VERTICAL PLANE THROUGH HORIZONTAL ANGLES (0 - 180)

**LUMINAIRE LUMENS** 7039  
**TOTAL LUMINAIRE EFFICIENCY** NA  
**LUMINAIRE EFFICACY RATING** 27  
**TOTAL LUMINAIRE WATTS** 258

### IES INDOOR REPORT

PHOTOMETRIC FILENAME : 999KR 224LED F05 OP.IES

### POLAR GRAPH



MAXIMUM CANDELA = 1960.34 LOCATED AT HORIZONTAL ANGLE = 0, VERTICAL ANGLE = 175  
 # 1 - VERTICAL PLANE THROUGH HORIZONTAL ANGLES (90 - 270)  
 # 2 - VERTICAL PLANE THROUGH HORIZONTAL ANGLES (0 - 180)

**LUMINAIRE LUMENS** 10841  
**TOTAL LUMINAIRE EFFICIENCY** NA  
**LUMINAIRE EFFICACY RATING** 42  
**TOTAL LUMINAIRE WATTS** 258

## AVAILABLE FINISHES



**AN**  
ANODIZED  
(SILVER)



**SN**  
SATIN  
NICKEL



**SB**  
SATIN  
BRASS



**CH**  
CHROME



**BC**  
BLACK  
CHROME



**AC**  
ANTIQUÉ  
COPPER



**AB**  
ANTIQUÉ  
BRASS



**PB**  
POLISHED  
BRASS



**F04**  
MATTE  
WHITE



**F05**  
GLOSS  
WHITE



**F07**  
ZEUS  
BROWN



**F08**  
MIDNIGHT  
BLUE



**F09**  
PEWTER



**F10**  
FIRE  
RED



**F13**  
FOREST  
GREEN



**F14**  
SUNSHINE  
YELLOW



**F15**  
MATTE  
BLACK



**F16**  
GLOSS  
BLACK



**F18**  
SATIN  
ALUMINUM



**F21**  
ARCH  
BRONZE



**F24**  
MELTED  
PLATINUM



**F25**  
MELTED  
GOLD



**F26**  
MELTED  
COPPER



**F31**  
SILVER  
METALLIC



**F32**  
METALLIC  
BRONZE



**F33**  
PYRITE  
BRONZE



**F45**  
COPPER  
METALLIC



**RAL**  
CUSTOM  
COLOR  
(RAL #)

NOTE: DISPLAYED FINISHES DIFFER BETWEEN SCREENS AS WELL AS PRINTERS AND MAY NOT ACCURATELY DEPICT COLOR.