

PROJECT: \_\_\_\_\_

TYPE: \_\_\_\_\_

QUANTITY: \_\_\_\_\_



## PN: KH900

<b>APPLICATION</b>	<ul style="list-style-type: none"> <li>• WALL MOUNT</li> <li>• INDOOR OR OUTDOOR RATED</li> <li>• ADA COMPLIANT</li> </ul>
<b>DIMENSION</b>	<ul style="list-style-type: none"> <li>• 11.75" DIA (30CM)</li> <li>• DEPTH: 3.62" (9.2CM)</li> </ul>
<b>ILLUMINATION</b>	<ul style="list-style-type: none"> <li>• DIFFUSE</li> <li>• LED 90CRI</li> <li>• 755 LUMENS</li> </ul>
<b>ELECTRICAL</b>	<ul style="list-style-type: none"> <li>• 120 - 277V (347V CONSULT FACTORY)</li> <li>• 10kA SURGE SUPPRESSION STANDARD</li> </ul>
<b>DIFFUSERS</b>	<ul style="list-style-type: none"> <li>• HIGH EFFICIENCY ACRYLIC</li> </ul>
<b>MOUNTING</b>	<ul style="list-style-type: none"> <li>• WALL, MOUNTED TO A A 4" (10CM) J-BOX</li> </ul>
<b>CONSTRUCTION</b>	<ul style="list-style-type: none"> <li>• ALUMINUM</li> </ul>
<b>FINISHES</b>	<ul style="list-style-type: none"> <li>• AVAILABLE IN SEVERAL TMS POWDER COATED FINISHES</li> <li>• CUSTOM RAL FINISHES AVAILABLE</li> </ul>
<b>DIMMING</b>	<ul style="list-style-type: none"> <li>• 0 - 10V STANDARD DIMMING</li> </ul>



DIFFUSE



PROJECT: \_\_\_\_\_

TYPE: \_\_\_\_\_

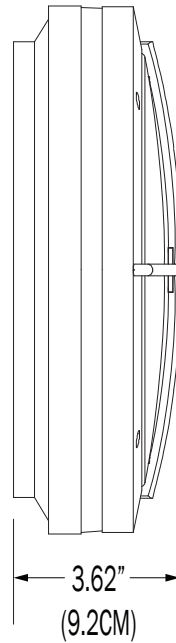
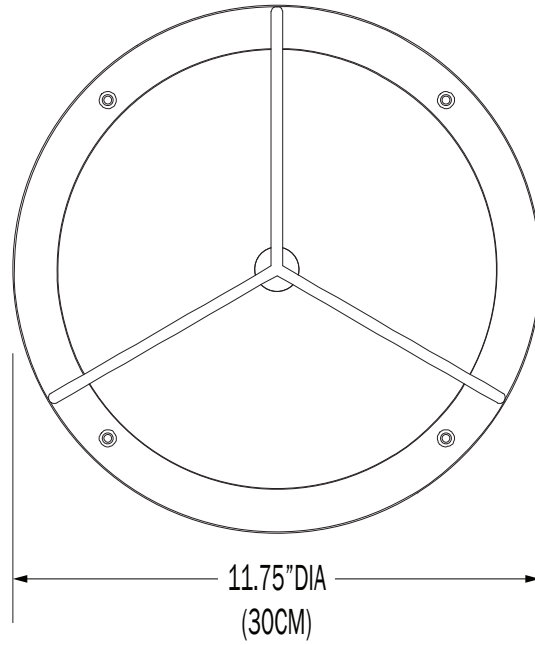
QUANTITY: \_\_\_\_\_

## KH900

1      2      3      4      5      6      7

<b>1.</b>	<b>ILLUMINATION</b>									
	<b>19LED</b>									
	LED (W)	19W								
LUMENS	751									
<b>2.</b>	<b>30K</b>			<b>35K</b>			<b>40K</b>			
	LED CCT	3000		3500			4000			
<b>3.</b>	<b>120</b>					<b>277</b>				
	VOLTAGE	120V					277V			
<b>4.</b>	<b>F04</b>	<b>F05</b>	<b>F09</b>	<b>F15</b>	<b>F16</b>	<b>F18</b>	<b>F24</b>	<b>F25</b>	<b>F26</b>	<b>F31</b>
	MATTE WHITE	GLOSS WHITE	PEWTER	MATTE BLACK	GLOSS BLACK	SATIN ALUMINUM	MELTED PLATINUM	MELTED GOLD	MELTED COPPER	SILVER METALLIC
	<b>F33</b>	<b>RAL</b>								
FINISH	PYRITE BRONZE	CUSTOM (SPECIFY)								
<b>5.</b>	<b>OP</b>					<b>SD</b>				
	DIFFUSER	OPAL - WHITE ACRYLIC					SAND - BLASTED WHITE			
<b>6.</b>	<b>---</b>					<b>DIML</b>				
	DIMMING <sup>1</sup>	NONE					LED DIMMING (0 - 10V, CURRENT - SINKING)			
<b>7.</b>	<b>---</b>					<b>EMR</b>		<b>EMCR</b>		
	EMERGENCY <sup>2</sup>	NONE					REMOTE		REMOTE COLD PACK	

1. USE CURRENT - SINKING DIMMING SYSTEM (BY OTHERS) FOR LED DIMMING. COMPATIBILITY OF THIS PRODUCT IS NOT GUARANTEED WITH ALL CONTROL SYSTEMS  
2. 10W AT 90 MINUTES.

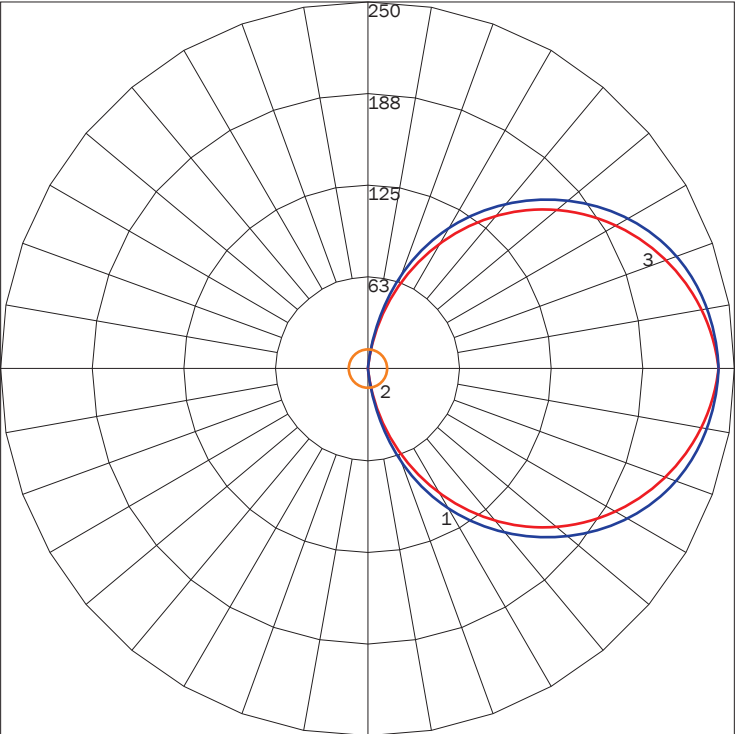


**DIFFUSE**

PN	ILLUMINATIO	LUMENS	WATTAGE
KH900	19LED	751	19

**IES INDOOR REPORT**  
**PHOTOMETRIC FILENAME :** KH900 19LED.IES

**POLAR GRAPH**



MAXIMUM CANDELA = 239.01 LOCATED AT HORIZONTAL ANGLE = 0, VERTICAL ANGLE = 90  
 # 1 - VERTICAL PLANE THROUGH HORIZONTAL ANGLES (0 - 180)  
 # 2 - VERTICAL PLANE THROUGH HORIZONTAL ANGLES (90 - 270)  
 # 3 - HORIZONTAL CONE THROUGH VERTICAL ANGLE (90) (THROUGH MAX. CD.).

<b>LUMINAIRE LUMENS</b>	751
<b>TOTAL LUMINAIRE EFFICIENCY</b>	NA
<b>LUMINAIRE EFFICACY RATING</b>	36
<b>TOTAL LUMINAIRE WATTS</b>	21

## AVAILABLE FINISHES



**F04**  
MATTE  
WHITE



**F05**  
GLOSS  
WHITE



**F09**  
PEWTER



**F15**  
MATTE  
BLACK



**F16**  
GLOSS  
BLACK



**F18**  
SATIN  
ALUMINUM



**F24**  
MELTED  
PLATINUM



**F25**  
MELTED  
GOLD



**F26**  
MELTED  
COPPER



**F31**  
SILVER  
METALLIC



**F33**  
PYRITE  
BRONZE



**RAL**  
CUSTOM  
COLOR  
(RAL #)

NOTE: DISPLAYED FINISHES DIFFER BETWEEN SCREENS AS WELL AS PRINTERS AND MAY NOT ACCURATELY DEPICT COLOR.