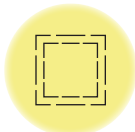


PROJECT: _____
TYPE: _____
QUANTITY: _____



PN: KM8980W

APPLICATION	<ul style="list-style-type: none">• WALL MOUNT• INDOOR OR OUTDOOR RATED• ADA COMPLIANT
DIMENSION	<ul style="list-style-type: none">• 11.75" SQ (30CM)• DEPTH: 3.6" (9CM)
ILLUMINATION	<ul style="list-style-type: none">• DIFFUSE• LED 90CRI• 755 LUMENS
ELECTRICAL	<ul style="list-style-type: none">• 120 - 277V (347V CONSULT FACTORY)• 10KA SURGE SUPPRESSION STANDARD
DIFFUSERS	<ul style="list-style-type: none">• HIGH EFFICIENCY ACRYLIC
MOUNTING	<ul style="list-style-type: none">• WALL, MOUNTED TO A 4"(10CM) J-BOX
CONSTRUCTION	<ul style="list-style-type: none">• ALUMINUM
FINISHES	<ul style="list-style-type: none">• AVAILABLE IN SEVERAL TMS POWDER COATED FINISHES• CUSTOM RAL FINISHES AVAILABLE
DIMMING	<ul style="list-style-type: none">• 0 - 10V STANDARD DIMMING



DIFFUSE



PROJECT: _____

TYPE: _____

QUANTITY: _____

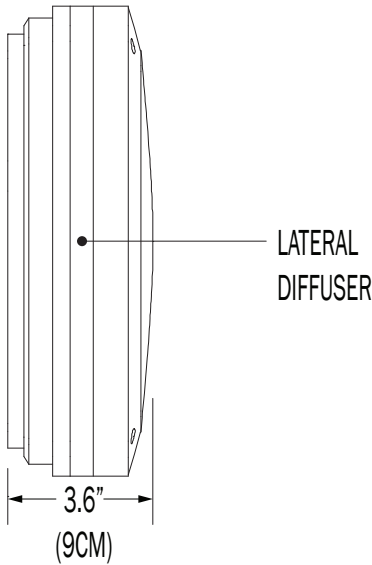
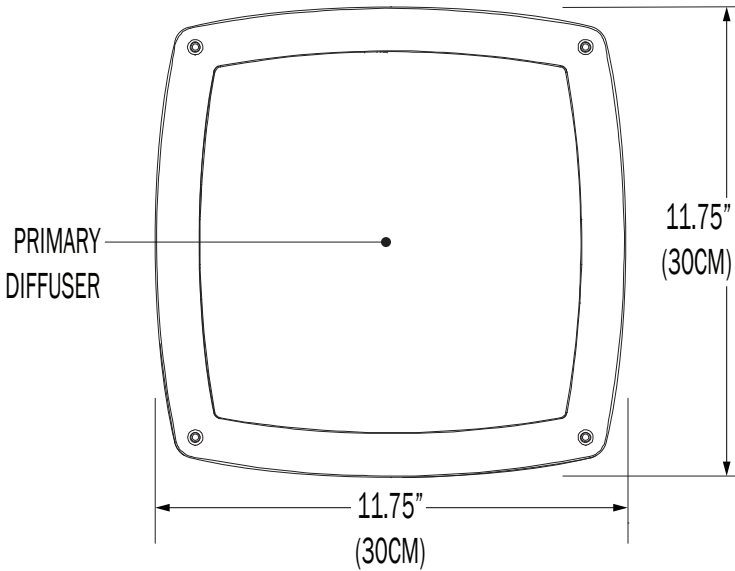
KM8980W

1 2 3 4 5 6 7

1.	ILLUMINATION									
	19LED									
	LED (W)	19W								
LUMENS	755									
2.	30K			35K			40K			
	LED CCT	3000		3500			4000			
3.	120					277				
	VOLTAGE	120V					277V			
4.	F04	F05	F09	F15	F16	F18	F24	F25	F26	F31
	MATTE WHITE	GLOSS WHITE	PEWTER	MATTE BLACK	GLOSS BLACK	SATIN ALUMINUM	MELTED PLATINUM	MELTED GOLD	MELTED COPPER	SILVER METALLIC
	F33	RAL								
FINISH	PYRITE BRONZE	CUSTOM (SPECIFY)								
5.	OP									
	DIFFUSER	OPAL-WHITE ACRYLIC								
6.	---					DIML				
	DIMMING ¹	NONE				LED DIMMING (0 - 10V, CURRENT - SINKING)				
7.	---			EMR			EMCR			
	EMERGENCY ²	NONE		REMOTE			REMOTE COLD PACK			

1. USE CURRENT - SINKING DIMMING SYSTEM (BY OTHERS) FOR LED DIMMING. COMPATIBILITY OF THIS PRODUCT IS NOT GUARANTEED WITH ALL CONTROL SYSTEMS
 2. 10W AT 90 MINUTES.

NOTE: SOME OPTIONS MAY NOT BE COMPATIBLE WITH OTHERS. ALL SPECIFICATIONS ARE SUBJECT TO CHANGE WITHOUT NOTICE. CONTACT TMS LIGHTING FOR UPDATED SPECIFICATIONS.

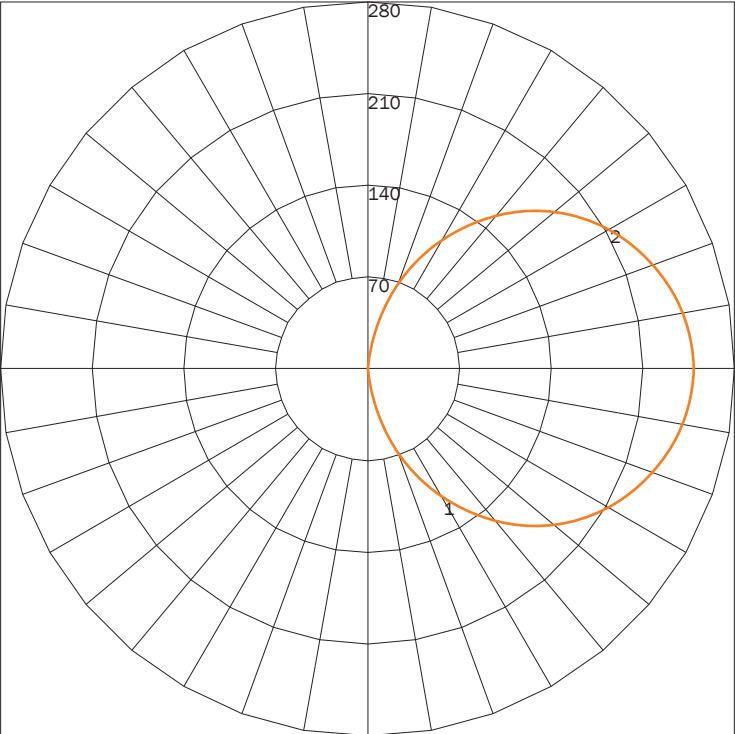


DIFFUSE

PN	ILLUMINATIO	LUMENS	WATTAGE
KM8980W	19LED	755	19

IES INDOOR REPORT
PHOTOMETRIC FILENAME : KM898 OW 19LED.IES

POLAR GRAPH



MAXIMUM CANDELA = 248.92 LOCATED AT HORIZONTAL ANGLE = 0, VERTICAL ANGLE = 90
 # 1 - VERTICAL PLANE THROUGH HORIZONTAL ANGLES (0 - 180)
 # 2 - HORIZONTAL CONE THROUGH VERTICAL ANGLE (90)

LUMINAIRE LUMENS	755
TOTAL LUMINAIRE EFFICIENCY	NA
LUMINAIRE EFFICACY RATING	36
TOTAL LUMINAIRE WATTS	21

AVAILABLE FINISHES



F04
MATTE
WHITE



F05
GLOSS
WHITE



F09
PEWTER



F15
MATTE
BLACK



F16
GLOSS
BLACK



F18
SATIN
ALUMINUM



F24
MELTED
PLATINUM



F25
MELTED
GOLD



F26
MELTED
COPPER



F31
SILVER
METALLIC



F33
PYRITE
BRONZE



RAL
CUSTOM
COLOR
(RAL #)

NOTE: DISPLAYED FINISHES DIFFER BETWEEN SCREENS AS WELL AS PRINTERS AND MAY NOT ACCURATELY DEPICT COLOR.