

# KLEOS™ B LINEAR

PROJECT: \_\_\_\_\_

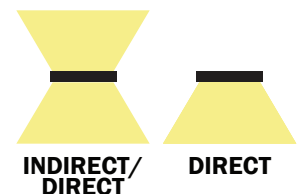
TYPE: \_\_\_\_\_

QUANTITY: \_\_\_\_\_



## PN: 750KLB

<b>APPLICATION</b>	<ul style="list-style-type: none"><li>• PENDANT MOUNT</li><li>• INDOOR RATED</li></ul>
<b>DIMENSION</b>	<ul style="list-style-type: none"><li>• 48" AND 96" (122CM AND 244CM, )</li><li>• PROFILE: 1.84"W X 3.6"H (5CM X 9.1CM)</li></ul>
<b>ILLUMINATION</b>	<ul style="list-style-type: none"><li>• DIRECT OR INDIRECT/DIRECT</li><li>• LED 90CRI</li><li>• 1,405 - 5,468 LUMENS</li></ul>
<b>DRIVER</b>	<ul style="list-style-type: none"><li>• CANOPY OR REMOTE MOUNT</li><li>• 120V, 277V, AND UNI (120 - 277V)</li><li>• 10KA SURGE SUPPRESSION STANDARD</li></ul>
<b>DIFFUSERS</b>	<ul style="list-style-type: none"><li>• HIGH EFFICIENCY ACRYLIC</li></ul>
<b>MOUNTING</b>	<ul style="list-style-type: none"><li>• 96" (244CM) BLACK OR WHITE DROP CORD W/ AIRCRAFT CABLES</li></ul>
<b>CONSTRUCTION</b>	<ul style="list-style-type: none"><li>• ALUMINUM</li></ul>
<b>FINISHES</b>	<ul style="list-style-type: none"><li>• AVAILABLE IN SEVERAL TMS POWDER COATED FINISHES</li><li>• CUSTOM RAL FINISHES AVAILABLE</li></ul>
<b>DIMMING</b>	<ul style="list-style-type: none"><li>• 0 - 10V STANDARD DIMMING (1%)</li></ul>
<b>WEIGHT</b>	<ul style="list-style-type: none"><li>• 10 LBS MAXIMUM</li></ul>



# KLEOS™ B LINEAR



PROJECT: \_\_\_\_\_

TYPE: \_\_\_\_\_

QUANTITY: \_\_\_\_\_

## 750KLB

1 2 3 4 5 6 7 8 9

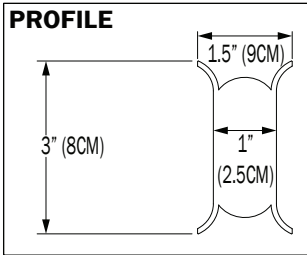
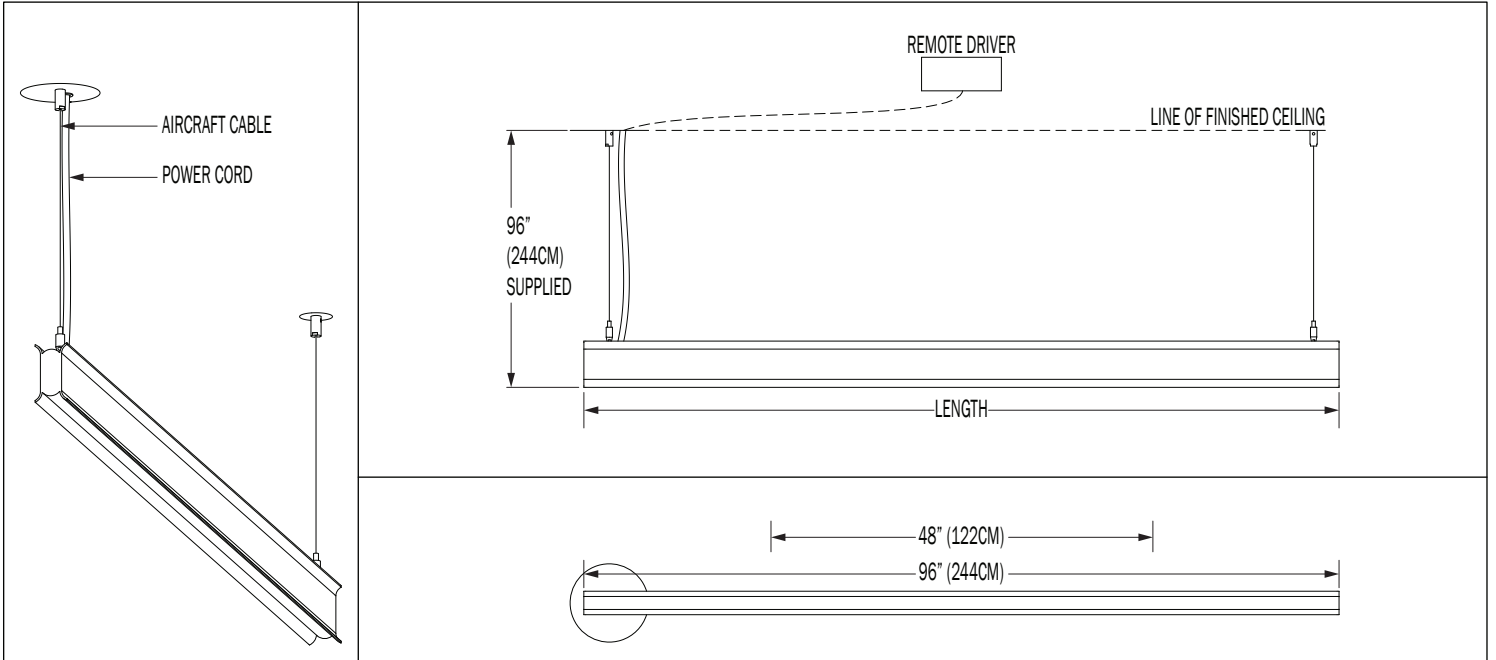
1.	DIRECT									
	<b>48D</b>					<b>96D</b>				
LENGTH	48"(122CM)					96"(244CM)				
LED (W)	19W					38W				
LUMENS	1405					2824				
	INDIRECT/DIRECT									
	<b>48ID</b>					<b>96ID</b>				
LENGTH	48"(122CM)					96"(244CM)				
LED (W)	68W					136W				
LUMENS	2642					5468				
2.	30K			35K				40K		
LED CCT	3000K			3500K				4000K		
3.	120			277				UNI		
VOLTAGE	120V			277V				120 - 277V		
4.	S					D				
CIRCUITS	SINGLE					DUAL				
5.	CD					RM				
DRIVER	CANOPY MOUNT					REMOTE MOUNT				
6.	BC					WC				
CORD	BLACK DROP CORD					WHITE DROP CORD				
7.	F04	F05	F09	F15	F16	F18	F21	F31	F33	RAL
FINISH	MATTE WHITE	GLOSS WHITE	PEWTER	MATTE BLACK	GLOSS BLACK	SATIN ALUMINUM	ARCH BRONZE	SILVER METALLIC	PYRITE BRONZE	CUSTOM (SPECIFY)
8.	NONE					EMR				
EMERGENCY <sup>1</sup>	---					REMOTE				
9.	NONE					DIML				
DIMMING	---					LED DIMMING (0 - 10V, CURRENT - SINKING)				

1. 10W AT 90 MINUTES

NOTE: SOME OPTIONS MAY NOT BE COMPATIBLE WITH OTHERS. ALL SPECIFICATIONS ARE SUBJECT TO CHANGE WITHOUT NOTICE. CONTACT TMS LIGHTING FOR UPDATED SPECIFICATIONS.

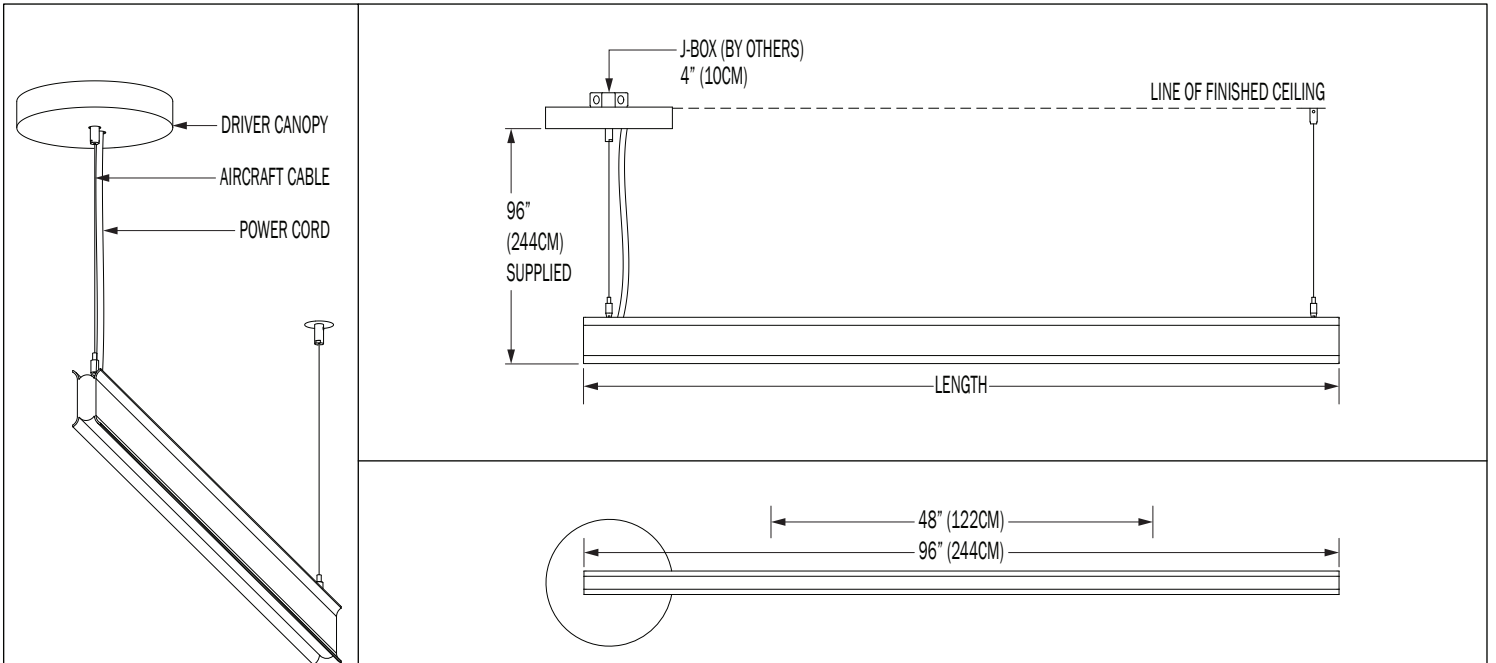
## 750KLB

### RM - REMOTE MOUNT



SIZE	LBS
48	6 LBS
96	10 LBS

### CD - CANOPY MOUNT



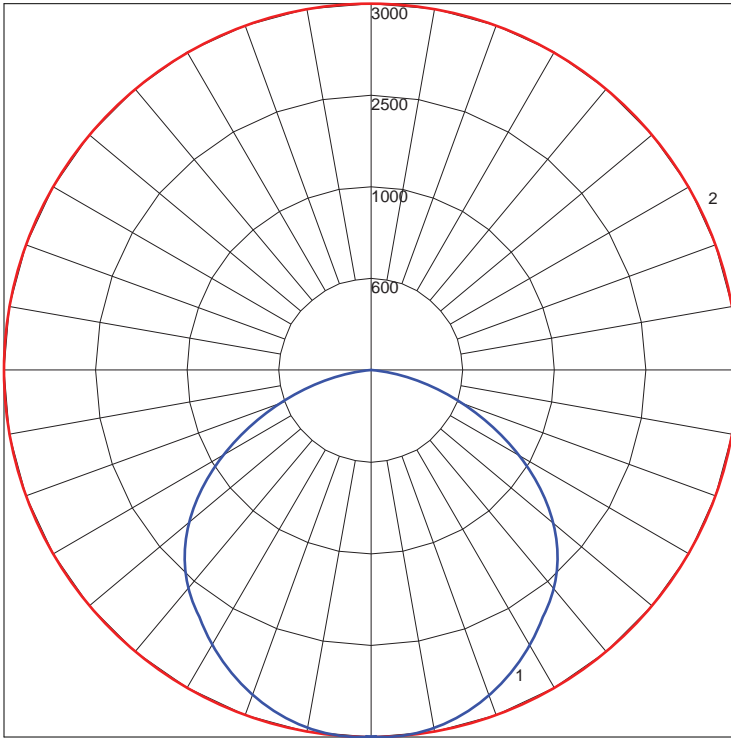
## DIRECT

PN	SIZE (DIA)	LUMENS	WATTAGE
750KLB	48D	1405	19
	96D	2824	38

### IES INDOOR REPORT

PHOTOMETRIC FILENAME : 750KLB 96D 35K F05.IES

### POLAR GRAPH



MAXIMUM CANDELA = 1235 LOCATED AT HORIZONTAL ANGLE = 0, VERTICAL ANGLE = 0  
 # 1 - VERTICAL PLANE THROUGH HORIZONTAL ANGLES (0 - 180) (THROUGH MAX. CD.)  
 # 2 - HORIZONTAL CONE THROUGH VERTICAL ANGLE (0) (THROUGH MAX. CD.)

<b>LUMINAIRE LUMENS</b>	2824
<b>TOTAL LUMINAIRE EFFICIENCY</b>	100%
<b>LUMINAIRE EFFICACY RATING</b>	74
<b>TOTAL LUMINAIRE WATTS</b>	38

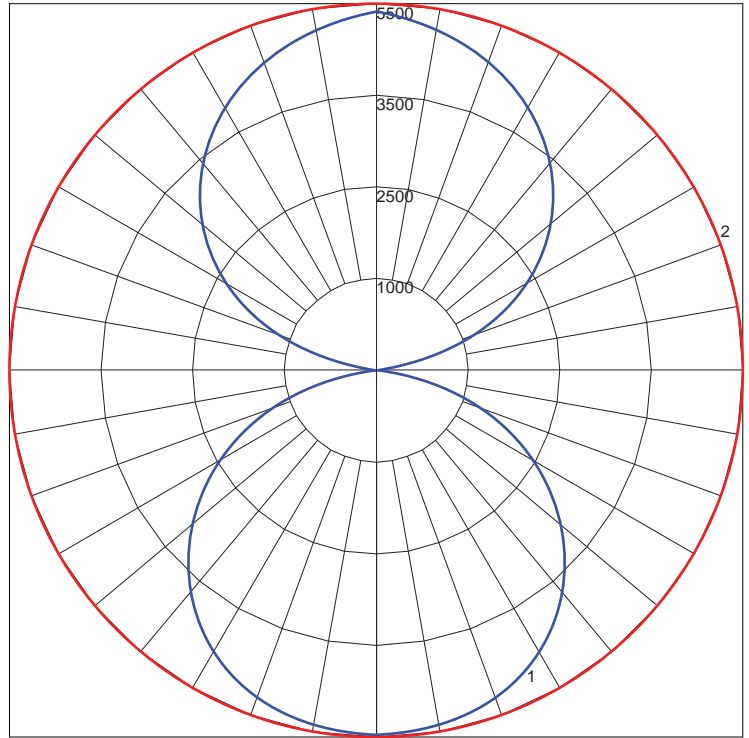
## INDIRECT / DIRECT

PN	PN	LUMENS	WATTAGE
750KLB	48ID	2642	36
	96ID	5468	73

### IES INDOOR REPORT

PHOTOMETRIC FILENAME : 750KLB 96ID 35K F05.IES

### POLAR GRAPH



MAXIMUM CANDELA = 1220 LOCATED AT HORIZONTAL ANGLE = 0, VERTICAL ANGLE = 0  
 # 1 - VERTICAL PLANE THROUGH HORIZONTAL ANGLES (0 - 180) (THROUGH MAX. CD.)  
 # 2 - HORIZONTAL CONE THROUGH VERTICAL ANGLE (0) (THROUGH MAX. CD.)

<b>LUMINAIRE LUMENS</b>	5468
<b>TOTAL LUMINAIRE EFFICIENCY</b>	100%
<b>LUMINAIRE EFFICACY RATING</b>	75
<b>TOTAL LUMINAIRE WATTS</b>	73

## AVAILABLE FINISHES



**F04**  
MATTE  
WHITE



**F05**  
GLOSS  
WHITE



**F09**  
PEWTER



**F15**  
MATTE  
BLACK



**F16**  
GLOSS  
BLACK



**F18**  
SATIN  
ALUMINUM



**F21**  
ARCH  
BRONZE



**F31**  
SILVER  
METALLIC



**F33**  
PYRITE  
BRONZE



**RAL**  
CUSTOM  
COLOR  
(RAL #)

NOTE: DISPLAYED FINISHES DIFFER BETWEEN SCREENS AS WELL AS PRINTERS AND MAY NOT ACCURATELY DEPICT COLOR.