

PROJECT: \_\_\_\_\_

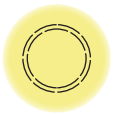
TYPE: \_\_\_\_\_

QUANTITY: \_\_\_\_\_



## PN: KH901 OW

<b>APPLICATION</b>	<ul style="list-style-type: none"><li>• WALL MOUNT</li><li>• OUTDOOR RATED</li><li>• ADA COMPLIANT</li></ul>
<b>DIMENSION</b>	<ul style="list-style-type: none"><li>• 11" DIA (28CM)</li><li>• DEPTH: 3.75" (9.5CM)</li></ul>
<b>ILLUMINATION</b>	<ul style="list-style-type: none"><li>• DIFFUSE</li><li>• LED 90CRI</li><li>• 740 LUMENS</li></ul>
<b>ELECTRICAL</b>	<ul style="list-style-type: none"><li>• 120 - 277V</li><li>• 10kA SURGE SUPPRESSION STANDARD</li></ul>
<b>DIFFUSERS</b>	<ul style="list-style-type: none"><li>• HIGH EFFICIENCY ACRYLIC</li></ul>
<b>MOUNTING</b>	<ul style="list-style-type: none"><li>• WALL, MOUNTED TO A 4"(10CM) J-BOX</li></ul>
<b>CONSTRUCTION</b>	<ul style="list-style-type: none"><li>• ALUMINUM</li></ul>
<b>FINISHES</b>	<ul style="list-style-type: none"><li>• AVAILABLE IN SEVERAL TMS POWDER COATED FINISHES</li><li>• CUSTOM RAL FINISHES AVAILABLE</li></ul>
<b>DIMMING</b>	<ul style="list-style-type: none"><li>• 0 - 10V STANDARD DIMMING</li></ul>



DIFFUSE

# KHULA OW™ SCONCE



PROJECT: \_\_\_\_\_

TYPE: \_\_\_\_\_

QUANTITY: \_\_\_\_\_

## KH901 OW

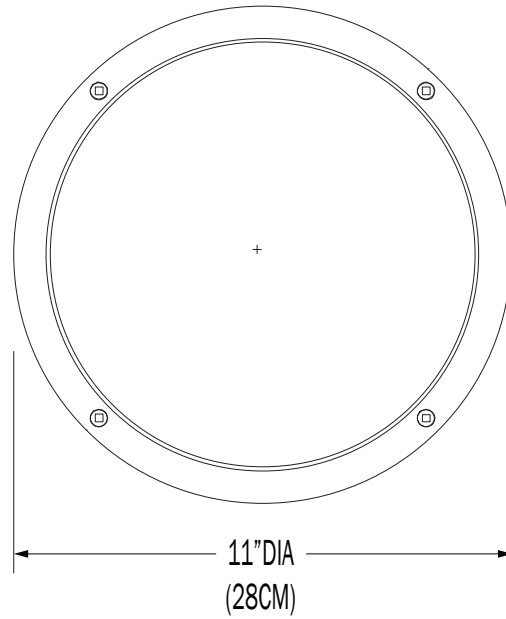
1 2 3 4 5 6 7

<b>1.</b>	<b>ILLUMINATION</b>									
	<b>15LED</b>									
LED (W)	15W									
LUMENS	740									
<b>2.</b>	<b>30K</b>			<b>35K</b>				<b>40K</b>		
LED CCT	3000			3500				4000		
<b>3.</b>	<b>120</b>					<b>277</b>				
VOLTAGE	120V					277V				
<b>4.</b>	<b>F04</b>	<b>F05</b>	<b>F09</b>	<b>F15</b>	<b>F16</b>	<b>F18</b>	<b>F24</b>	<b>F25</b>	<b>F26</b>	<b>F31</b>
FINISH	MATTE WHITE	GLOSS WHITE	PEWTER	MATTE BLACK	GLOSS BLACK	SATIN ALUMINUM	MELTED PLATINUM	MELTED GOLD	MELTED COPPER	SILVER METALLIC
	<b>F33</b>	<b>RAL</b>								
	PYRITE BRONZE	CUSTOM (SPECIFY)								
<b>5.</b>	<b>OP</b>									
DIFFUSER	OPAL - WHITE ACRYLIC									
<b>6.</b>	---					<b>DIML</b>				
DIMMING <sup>1</sup>	NONE					LED DIMMING (0 - 10V, CURRENT - SINKING)				
<b>7.</b>	---			<b>EMR</b>				<b>EMCR</b>		
EMERGENCY <sup>2</sup>	NONE			REMOTE				REMOTE COLD PACK		

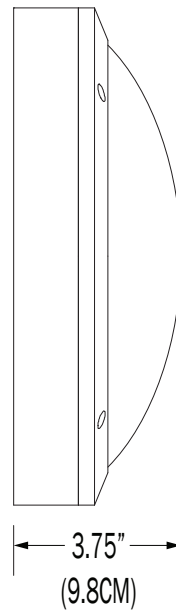
1. USE CURRENT - SINKING DIMMING SYSTEM (BY OTHERS) FOR LED DIMMING. COMPATIBILITY OF THIS PRODUCT IS NOT GUARANTEED WITH ALL CONTROL SYSTEMS  
 2. 10W AT 90 MINUTES.

NOTE: SOME OPTIONS MAY NOT BE COMPATIBLE WITH OTHERS. ALL SPECIFICATIONS ARE SUBJECT TO CHANGE WITHOUT NOTICE. CONTACT TMS LIGHTING FOR UPDATED SPECIFICATIONS.

## FRONT



## PROFILE



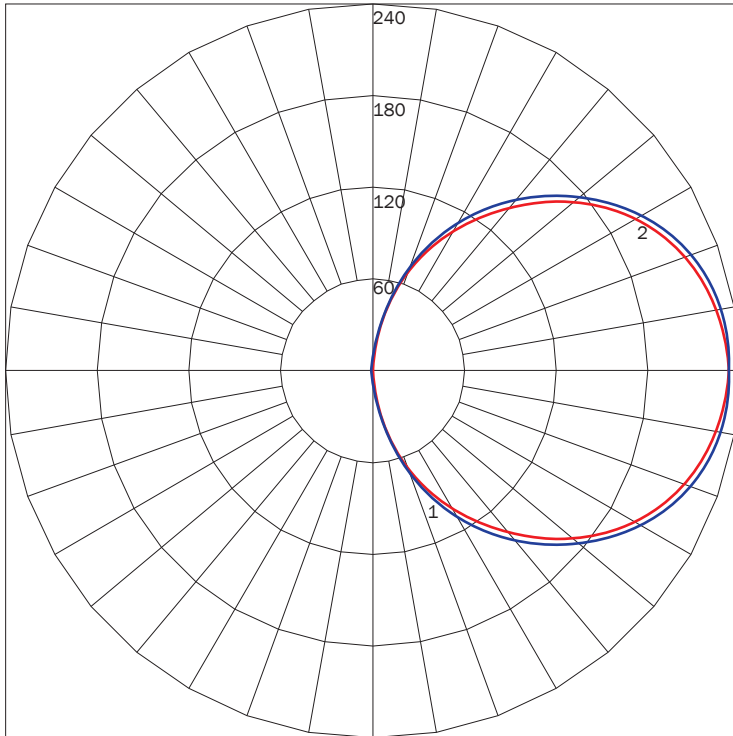
## DIFFUSE

PN	ILLUMINATION	LUMENS	WATTAGE
KH9010W	15LED	740	15

### IES INDOOR REPORT

**PHOTOMETRIC FILENAME :** KH901 OW 15LED OP.IES

### POLAR GRAPH



MAXIMUM CANDELA = 234.17 LOCATED AT HORIZONTAL ANGLE = 0, VERTICAL ANGLE = 100  
 # 1 - VERTICAL PLANE THROUGH HORIZONTAL ANGLES (0 - 180)  
 # 2 - HORIZONTAL CONE THROUGH VERTICAL ANGLE (90)

<b>LUMINAIRE LUMENS</b>	705
<b>TOTAL LUMINAIRE EFFICIENCY</b>	NA
<b>LUMINAIRE EFFICACY RATING</b>	44
<b>TOTAL LUMINAIRE WATTS</b>	17

## AVAILABLE FINISHES



**F04**  
MATTE  
WHITE



**F05**  
GLOSS  
WHITE



**F09**  
PEWTER



**F15**  
MATTE  
BLACK



**F16**  
GLOSS  
BLACK



**F18**  
SATIN  
ALUMINUM



**F24**  
MELTED  
PLATINUM



**F25**  
MELTED  
GOLD



**F26**  
MELTED  
COPPER



**F31**  
SILVER  
METALLIC



**F33**  
PYRITE  
BRONZE



**RAL**  
CUSTOM  
COLOR  
(RAL #)

NOTE: DISPLAYED FINISHES DIFFER BETWEEN SCREENS AS WELL AS PRINTERS AND MAY NOT ACCURATELY DEPICT COLOR.