

JUILLET™ PENDANT

PROJECT: _____

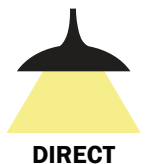
TYPE: _____

QUANTITY: _____



PN: JUI

APPLICATION	<ul style="list-style-type: none">• PENDANT MOUNT• INDOOR RATED
DIMENSION	<ul style="list-style-type: none">• 21" (53CM)
ILLUMINATION	<ul style="list-style-type: none">• DIRECT• LED 90CRI• 849 - 1,165 LUMENS
ELECTRICAL	<ul style="list-style-type: none">• 120 - 277V (347V CONSULT FACTORY)• 10kA SURGE SUPPRESSION STANDARD
DIFFUSERS	<ul style="list-style-type: none">• HIGH EFFICIENCY ACRYLIC
MOUNTING	<ul style="list-style-type: none">• 120" (305CM) BLACK OR WHITE DROP CORD W/ AIRCRAFT CABLE
CONSTRUCTION	<ul style="list-style-type: none">• ALUMINUM OR PLATED STEEL
FINISHES	<ul style="list-style-type: none">• AVAILABLE IN SEVERAL TMS SPECIALTY, PLATED, AND POWDER COATED FINISHES• CUSTOM RAL FINISHES AVAILABLE
DIMMING	<ul style="list-style-type: none">• 0 - 10V STANDARD DIMMING
WEIGHT	<ul style="list-style-type: none">• 6.4LBS MAXIMUM



JUILLET™ PENDANT



PROJECT: _____

TYPE: _____

QUANTITY: _____

JUI - - - - - 1 - - - - - 2 - - - - - 3 - - - - - 4 - - - - - 5 - - - - - 6 - - - - - 7 - - - - - 8 - - - - - 9

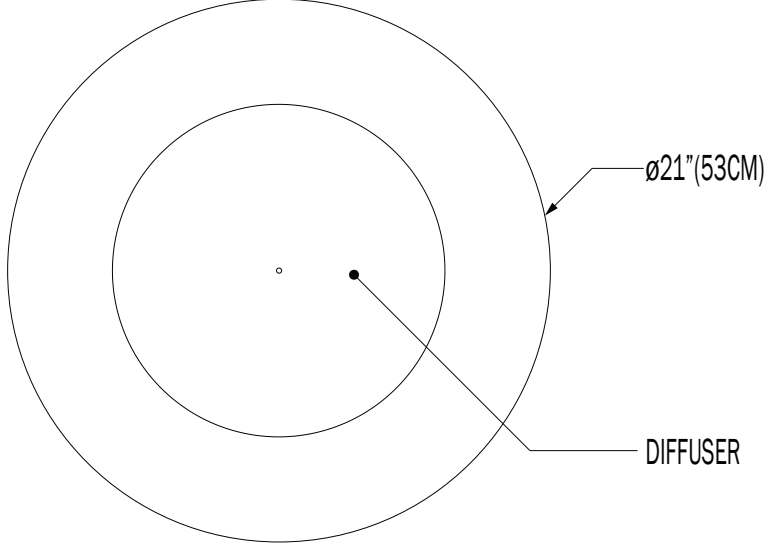
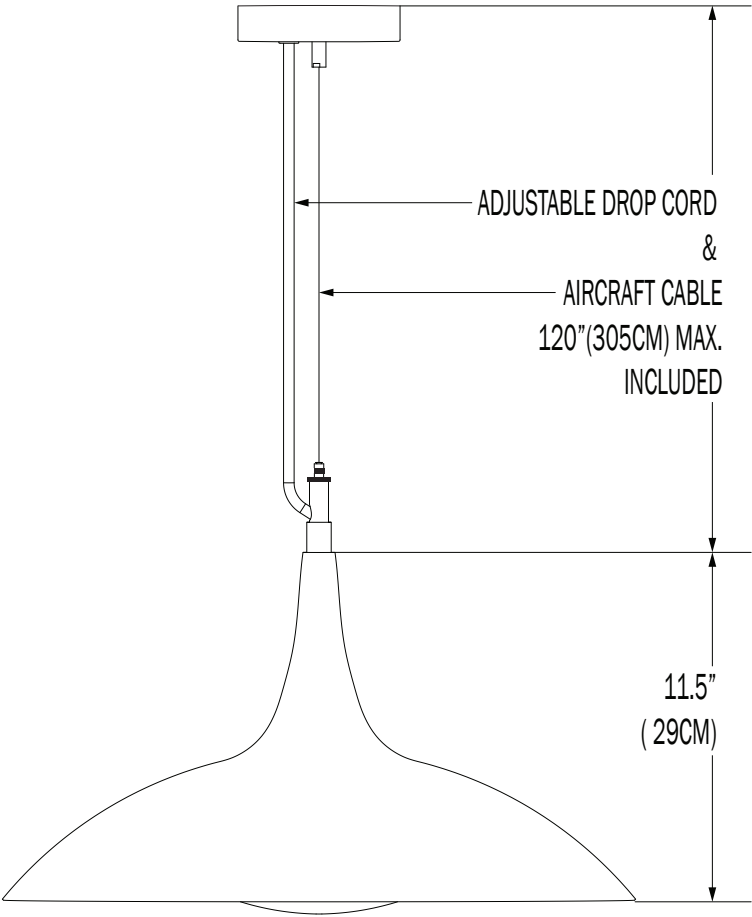
1.	ILLUMINATION									
	9LED					14LED				
	LED (W)	9W					14W			
LUMENS	849					1165				
2.	CRD									
MOUNTING	120" (305CM) DROP CORD									
3.	BC					WC				
	CORD	BLACK DROP CORD					WHITE DROP CORD			
4.	30K			35K			40K			
	LED CCT	3000			3500			4000		
5.	120					277				
	VOLTAGE	120V					277V			
6.	F04	F05	F15	F16	F09	F31	F18	F06	F07	F08
	MATTE WHITE	GLOSS WHITE	MATTE BLACK	GLOSS BLACK	PEWTER	SILVER METALLIC	SATIN ALUMINUM	CLAY BROWN	ZEUS BROWN	MIDNIGHT BLUE
	F10	F11	F13	F14	F21	F22	F24	F25	F26	F28
	FIRE RED	CITRUS ORANGE	FOREST GREEN	SUNSHINE YELLOW	ARCH. BRONZE	HARVEST GOLD	MELTED PLATINUM	MELTED GOLD	MELTED COPPER	DARK CAMPAGNE
	F32	F33	F38	F39	F40	F41	F42	F43	F44	F45
	BRONZE METALLIC	PYRITE BRONZE	MEADOW GREEN	AQUA BLUE	BUBBLE PINK	ELECTRIC PURPLE	FAUX CHROME	FAUX GOLD	FAUX COPPER	COPPER METALLIC
	RAL	AN	BR	CO	SS					
CUSTOM (SPECIFY RAL)	ANODIZED	BRUSHED ALUMINUM	SOLID COPPER	STAINLESS STEEL						
7.	---					DIML				
	DIMMING	NONE					LED DIMMING (0 - 10V, CURRENT - SINKING)			
8.	---					EMR				
	EMERGENCY ²	NONE					REMOTE			
9.	ACC									
	MOUNTING ACCESSORIES ³	AIRCRAFT CABLE FOR DROP CORD								

1. A CLEAR COAT IS APPLIED TO COPPER. PATINA WILL FORM OVER TIME
 2. 10W AT 90 MINUTES
 3. MAY REQUIRE TO COMPLY WITH LOCAL SEISMIC/EARTHQUAKE CODE

NOTE: SOME OPTIONS MAY NOT BE COMPATIBLE WITH OTHERS. ALL SPECIFICATIONS ARE SUBJECT TO CHANGE WITHOUT NOTICE. CONTACT TMS LIGHTING FOR UPDATED SPECIFICATIONS.

JUILLET™ PENDANT

JUI



CUSTOM

NOTE: THIS FIXTURE CAN BE CUSTOMIZE. DIMENSION, LAMP TYPES, ENCLOSURE, AND COLOR CAN BE MODIFIED TO SUIT YOUR LIGHTING AND ARCHITECTURAL REQUIREMENTS. CONTACT YOUR LOCAL REPRESENTATIVE FOR MORE DETAILS: <https://tmslighting.com/sales-agents.html>

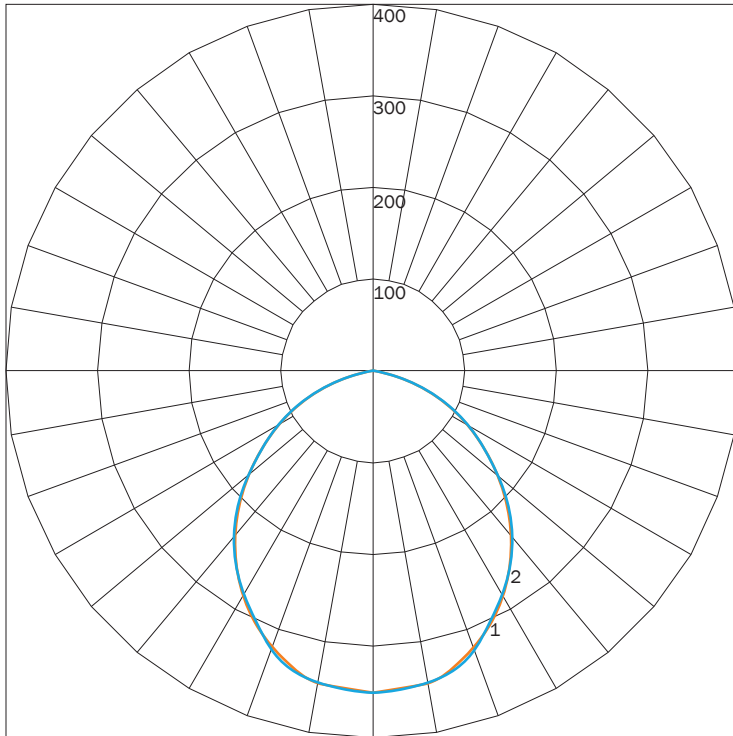
DIRECT

PN	ILLUMINATION	LUMENS	WATTAGE
JUI	9LED	849	9
	14LED	1165	14

IES INDOOR REPORT

PHOTOMETRIC FILENAME : JUI 9LED.IES

POLAR GRAPH



MAXIMUM CANDELA = 353.99 LOCATED AT HORIZONTAL ANGLE = 0, VERTICAL ANGLE = 5
 # 1 - VERTICAL PLANE THROUGH HORIZONTAL ANGLES (90 - 270)
 # 2 - VERTICAL PLANE THROUGH HORIZONTAL ANGLES (0 - 180)

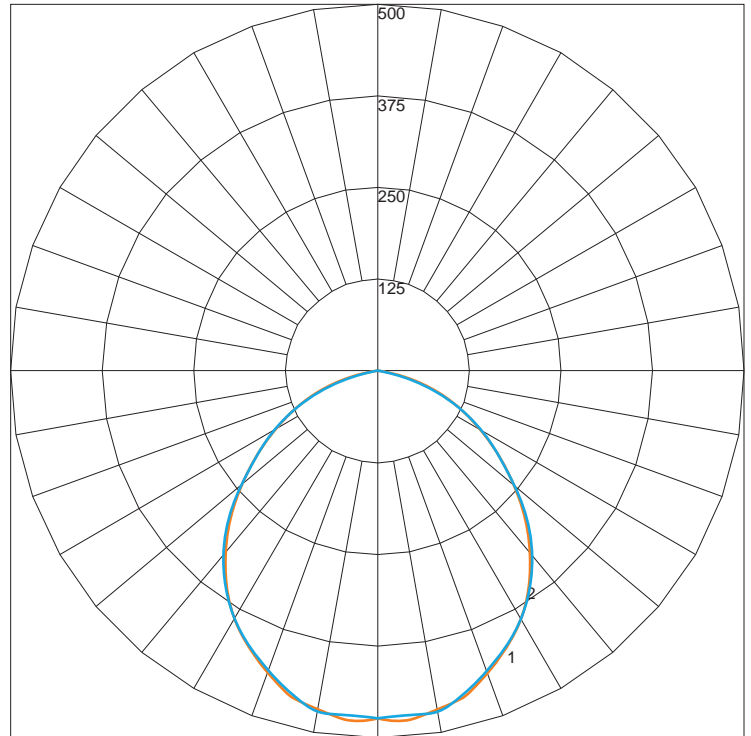
LUMINAIRE LUMENS
TOTAL LUMINAIRE EFFICIENCY
LUMINAIRE EFFICACY RATING
TOTAL LUMINAIRE WATTS

849
 NA
 86
 10

IES INDOOR REPORT

PHOTOMETRIC FILENAME : JUI 14LED.IES

POLAR GRAPH

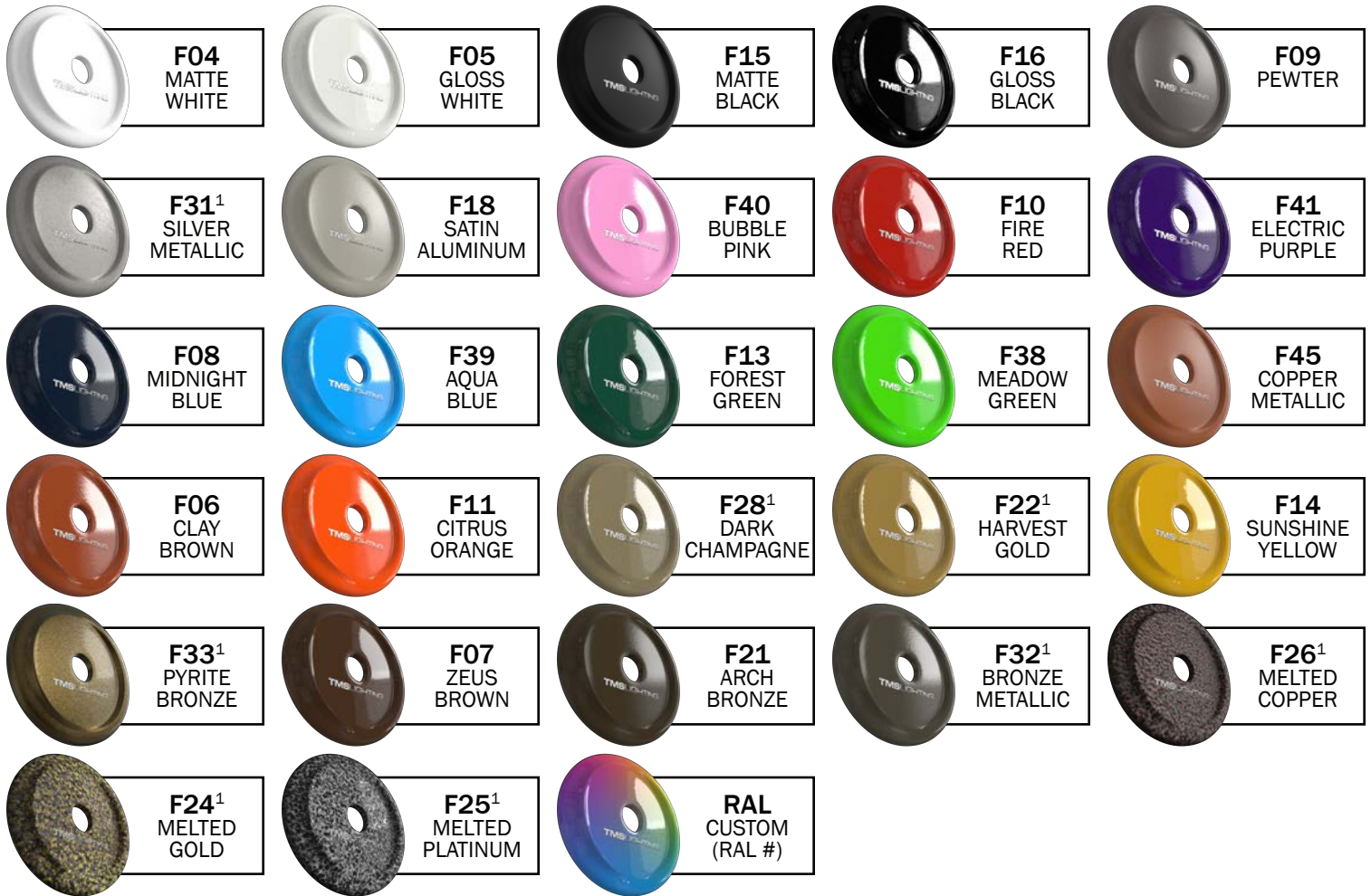


MAXIMUM CANDELA = 487.35 LOCATED AT HORIZONTAL ANGLE = 45, VERTICAL ANGLE = 5
 # 1 - VERTICAL PLANE THROUGH HORIZONTAL ANGLES (90 - 270)
 # 2 - VERTICAL PLANE THROUGH HORIZONTAL ANGLES (0 - 180)

LUMINAIRE LUMENS
TOTAL LUMINAIRE EFFICIENCY
LUMINAIRE EFFICACY RATING
TOTAL LUMINAIRE WATTS

1165
 NA
 78
 15

FINISHES



PREMIUM FINISHES



PREMIUM MATERIALS



1: FINISHES IS APPLIED TO THE INTERIOR AND EXTERIOR OF THE FIXTURE.

2: MATERIALS ARE CONSISTENT (INTERIOR & EXTERIOR). STEMS AND CANOPIES WILL BE F16 GLOSS BLACK.

NOTE: ALL FINISHES NOT MARKED WITH NOTATION (1) ARE APPLIED TO THE EXTERIOR ONLY. THE INTERIOR WILL BE F05 GLOSS WHITE. MATTE FINISHES AVAILABLE. CONSULT FACTORY.

FINISHES ARE SUBJECT TO AVAILABILITY AND MAY NOT BE APPLICABLE TO ALL FIXTURES OR FOR QUICKSHIP.

DISPLAYED FINISHES DIFFER BETWEEN SCREENS AS WELL AS PRINTERS AND MAY NOT ACCURATELY DEPICT COLOR.