

PROJECT: \_\_\_\_\_

TYPE: \_\_\_\_\_

QUANTITY: \_\_\_\_\_



## PN: JAZ

<b>APPLICATION</b>	<ul style="list-style-type: none"> <li>• PENDANT MOUNT</li> <li>• INDOOR OR OUTDOOR RATED</li> </ul>
<b>DIMENSION</b>	<ul style="list-style-type: none"> <li>• 14", 16", 18", 20", 22", 24"</li> <li>(36CM, 41CM, 46CM, 51CM, 56CM, 61CM)</li> </ul>
<b>ILLUMINATION</b>	<ul style="list-style-type: none"> <li>• DIRECT</li> <li>• LED 90CRI</li> <li>• 1,426 - 1,888 LUMENS</li> </ul>
<b>ELECTRICAL</b>	<ul style="list-style-type: none"> <li>• 120 - 277V (347V CONSULT FACTORY)</li> <li>• 10kA SURGE SUPPRESSION STANDARD</li> </ul>
<b>DIFFUSERS</b>	<ul style="list-style-type: none"> <li>• CLEAR OR FROSTED, TEMPERED GLASS GLOBE</li> </ul>
<b>MOUNTING</b>	<ul style="list-style-type: none"> <li>• 120" (305CM) BLACK OR WHITE DROP CORD W/ AIRCRAFT CABLE</li> <li>• 1" TO 60" (2.5CM TO 152CM) STEM MOUNT</li> </ul>
<b>CONSTRUCTION</b>	<ul style="list-style-type: none"> <li>• ALUMINUM</li> </ul>
<b>FINISHES</b>	<ul style="list-style-type: none"> <li>• AVAILABLE IN SEVERAL TMS SPECIALTY, AND POWDER COATED FINISHES</li> <li>• CUSTOM RAL FINISHES AVAILABLE</li> </ul>
<b>DIMMING</b>	<ul style="list-style-type: none"> <li>• 0 - 10V STANDARD DIMMING</li> </ul>
<b>WEIGHT</b>	<ul style="list-style-type: none"> <li>• 12 LBS MAXIMUM</li> </ul>





# JAZZ™ PENDANT

PROJECT: \_\_\_\_\_

TYPE: \_\_\_\_\_

QUANTITY: \_\_\_\_\_

**JAZ** - - - - - 1 2 3 4 5 6 7 8 9 10 11 12

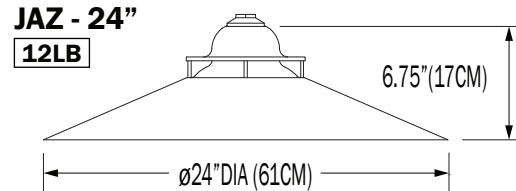
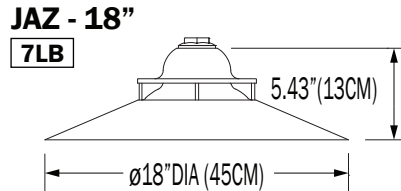
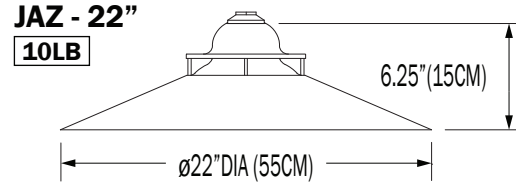
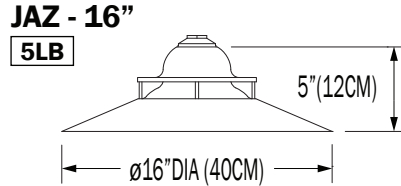
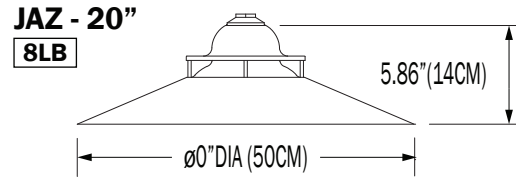
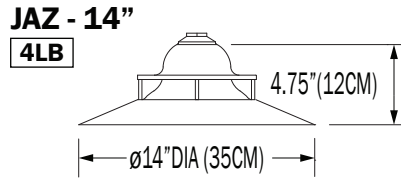
<b>1.</b>	<b>I</b>						<b>O</b>							
APPLICATION	INDOOR						OUTDOOR							
<b>2.</b>	<b>14</b>		<b>16</b>		<b>18</b>		<b>20</b>		<b>22</b>		<b>24</b>			
DIAMETER	14"DIA (36CM)		16"DIA (40CM)		18"DIA (46CM)		20"DIA (51CM)		22"DIA (56CM)		24"DIA (61CM)			
<b>3.</b>														
ILLUMINATION	<b>100IN</b>	<b>15LED</b>	<b>100IN</b>	<b>15LED</b>	<b>100IN</b>	<b>15LED</b>	<b>100IN</b>	<b>19LED</b>	<b>100IN</b>	<b>19LED</b>	<b>100IN</b>	<b>19LED</b>		
LED (W)	100W	15W	100W	15W	100W	15W	100W	19W	100W	19W	100W	19W		
LUMENS	1426	1109	1447	1107	1205	1589	1452	1887	1678	1888	1024	1888		
<b>4.</b>	<b>CRD</b>	<b>C01</b>	<b>C06</b>	<b>C12</b>	<b>C18</b>	<b>C24</b>	<b>C36</b>	<b>C48</b>	<b>C60</b>					
MOUNTING	120"(305CM) DROP CORD	1"(2.5CM) STEM MOUNT	6"(15CM) STEM MOUNT	12"(31CM) STEM MOUNT	18"(46CM) STEM MOUNT	24"(61CM) STEM MOUNT	36"(91CM) STEM MOUNT	48"(122CM) STEM MOUNT	60"(152CM) STEM MOUNT					
<b>5.</b>	---				<b>BC</b>				<b>WC</b>					
CORD	NONE				BLACK DROP CORD				WHITE DROP CORD					
<b>6.</b>	---			<b>30K</b>			<b>35K</b>			<b>40K</b>				
LED CCT	NONE			3000			3500			4000				
<b>7.</b>	<b>120</b>				<b>277</b>				<b>347</b>					
VOLTAGE	120V				277V				347V					
<b>8.</b>	<b>ADDITIONAL AND PREMIUM FINISHES AVAILABLE. SEE FINISHES CHART</b>			<b>F04</b>	<b>F05</b>	<b>F15</b>	<b>F16</b>	<b>F09</b>	<b>F31</b>	<b>F18</b>				
FINISH <sup>1</sup>				<b>F06</b>	<b>F07</b>	<b>F08</b>	<b>F10</b>	<b>F11</b>	<b>F13</b>	<b>F14</b>	<b>F21</b>	<b>F22</b>	<b>F25</b>	
				CLAY BROWN	ZEUS BROWN	MIDNIGHT BLUE	FIRE RED	CITRUS ORANGE	FOREST GREEN	SUNSHINE YELLOW	ARCH. BRONZE	HARVEST GOLD	MELTED PLATINUM	
<b>9.</b>	---		<b>G1</b>	<b>G2</b>	<b>G9</b>	<b>G11</b>	<b>G12</b>							
GLOBE/ LENS	NONE		CLEAR, ELONGATED GLOBE	FROSTED GLOBE	CLEAR, ELONGATED, LARGE GLOBE	CLEAR, ELONGATED GLOBE WITH CAST GUARD	CLEAR, ELONGATED LARGE GLOBE WITH CAST GUARD							
<b>10.</b>	---						<b>DIML</b>							
DIMMING	NONE						LED DIMMING (0 - 10V, CURRENT - SINKING)							
<b>11.</b>	---		<b>EM</b>		<b>EMC</b>		<b>EMR</b>		<b>EMCR</b>					
EMERGENCY <sup>2</sup>	NONE		INTEGRAL		INTEGRAL COLD PACK		REMOTE		REMOTE COLD PACK					
<b>12.</b>	---				<b>BL</b>				<b>ACC</b>					
MOUNTING <sup>3</sup> ACCESSORIES	NONE				CEILING SLOPE ADAPTER FOR STEM MOUNT				AIRCRAFT CABLE FOR DROP CORDS					

1. A CLEAR COAT IS APPLIED TO COPPER. PATINA WILL FORM OVER TIME

2. 10W AT 90 MINUTES. EMERGENCY OPTION IS ONLY AVAILABLE IN 120 - 277V SYSTEMS

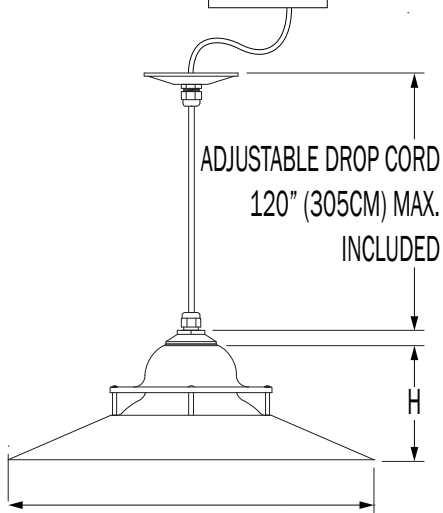
3. MAY REQUIRE TO COMPLY WITH LOCAL SEISMIC/EARTHQUAKE CODE

NOTE: SOME OPTIONS MAY NOT BE COMPATIBLE WITH OTHERS. ALL SPECIFICATIONS ARE SUBJECT TO CHANGE WITHOUT NOTICE. CONTACT TMS LIGHTING FOR UPDATED SPECIFICATIONS.

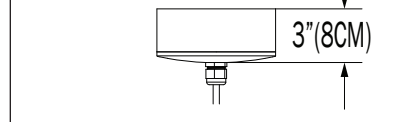


## DROP CORD

REMOTE DRIVER ENCLOSURE

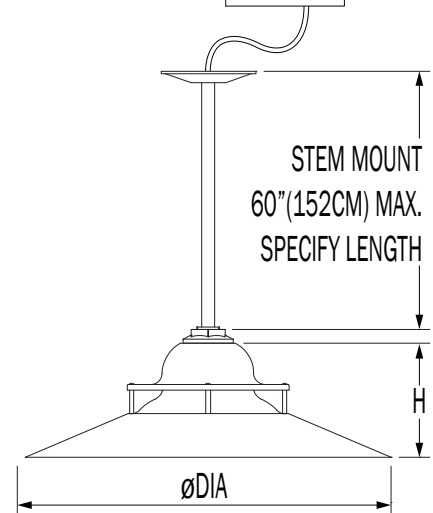


## OPTIONAL DRIVER ENCLOSURE



## STEM MOUNT

REMOTE DRIVER ENCLOSURE



### CUSTOM

NOTE: THIS FIXTURE CAN BE CUSTOMIZE. DIMENSION, LAMP TYPES, ENCLOSURE, AND COLOR CAN BE MODIFIED TO SUIT YOUR LIGHTING AND ARCHITECTURAL REQUIREMENTS. CONTACT YOUR LOCAL REPRESENTATIVE FOR MORE DETAILS: <https://tmslighting.com/sales-agents.html>

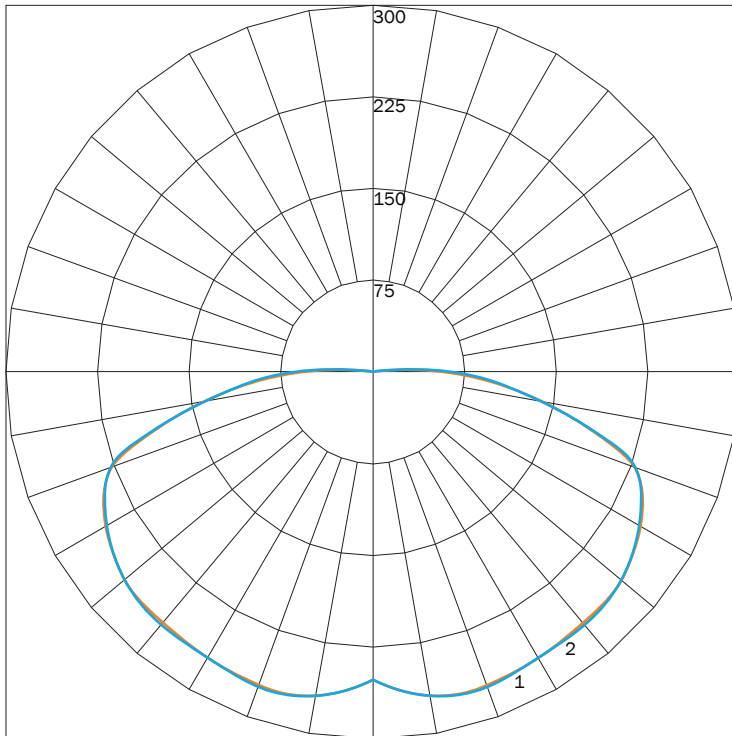
## DIRECT

PN	SIZE (DIA)	ILLUMINATION	LUMENS	WATTAGE
JAZ	14	100IN	1426	100
		15LED	1109	15
	16	100IN	1447	100
		15LED	1107	15
	18	100IN	1205	100
		15LED	1589	15
	20	100IN	1452	100
		19LED	1887	19
	22	100IN	1678	100
		19LED	1888	19
	24	100IN	1024	100
		19LED	1888	19

### IES INDOOR REPORT

PHOTOMETRIC FILENAME : JAZ 14 100IN F05.IES

#### POLAR GRAPH



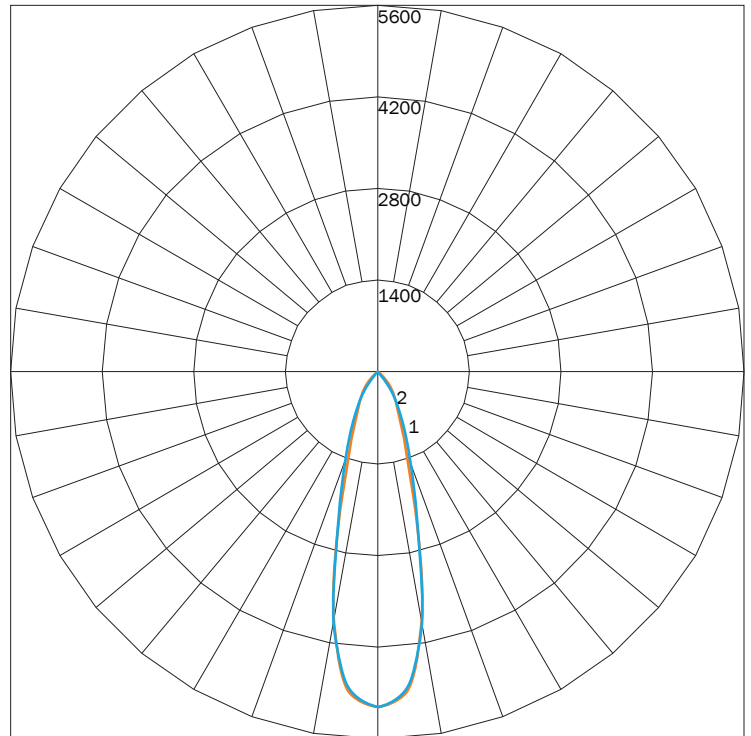
MAXIMUM CANDELA = 274.644 LOCATED AT HORIZONTAL ANGLE = 0, VERTICAL ANGLE = 15  
 # 1 - VERTICAL PLANE THROUGH HORIZONTAL ANGLES (90 - 270)  
 # 2 - VERTICAL PLANE THROUGH HORIZONTAL ANGLES (0 - 180)

<b>LUMINAIRE LUMENS</b>	1426
<b>TOTAL LUMINAIRE EFFICIENCY</b>	84%
<b>LUMINAIRE EFFICACY RATING</b>	14
<b>TOTAL LUMINAIRE WATTS</b>	100

### IES INDOOR REPORT

PHOTOMETRIC FILENAME : JAZ 24 19LED F05.IES

#### POLAR GRAPH



MAXIMUM CANDELA = 5115.48 LOCATED AT HORIZONTAL ANGLE = 0, VERTICAL ANGLE = 0  
 # 1 - VERTICAL PLANE THROUGH HORIZONTAL ANGLES (90 - 270)  
 # 2 - VERTICAL PLANE THROUGH HORIZONTAL ANGLES (0 - 180)

<b>LUMINAIRE LUMENS</b>	1888
<b>TOTAL LUMINAIRE EFFICIENCY</b>	NA
<b>LUMINAIRE EFFICACY RATING</b>	88
<b>TOTAL LUMINAIRE WATTS</b>	21

## FINISHES



## PREMIUM FINISHES



## PREMIUM MATERIALS



1: FINISHES IS APPLIED TO THE INTERIOR AND EXTERIOR OF THE FIXTURE.

2: MATERIALS ARE CONSISTENT (INTERIOR & EXTERIOR). STEMS AND CANOPIES WILL BE F16 GLOSS BLACK.

NOTE: ALL FINISHES NOT MARKED WITH NOTATION (1) ARE APPLIED TO THE EXTERIOR ONLY. THE INTERIOR WILL BE F05 GLOSS WHITE.

MATTE FINISHES AVAILABLE. CONSULT FACTORY.

FINISHES ARE SUBJECT TO AVAILABILITY AND MAY NOT BE APPLICABLE TO ALL FIXTURES OR FOR QUICKSHIP.

DISPLAYED FINISHES DIFFER BETWEEN SCREENS AS WELL AS PRINTERS AND MAY NOT ACCURATELY DEPICT COLOR.