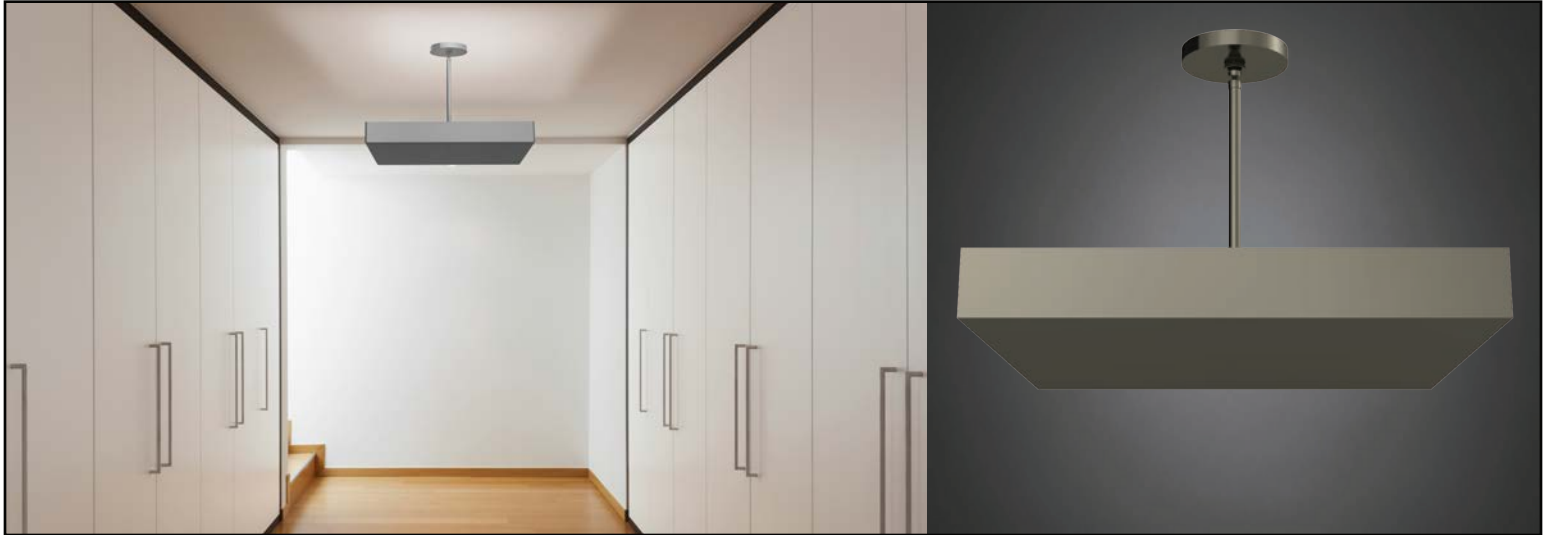


PROJECT: _____

TYPE: _____

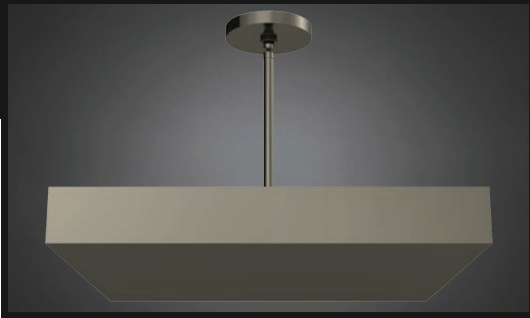
QUANTITY: _____



PN: 770IQ

APPLICATION	<ul style="list-style-type: none"> • PENDANT MOUNT • INDOOR RATED
DIMENSION	<ul style="list-style-type: none"> • 25" L X 25" W X 4" H (64CM X 64CM X 10CM)
ILLUMINATION	<ul style="list-style-type: none"> • INDIRECT • LED 90CRI • 6,329 LUMENS
ELECTRICAL	<ul style="list-style-type: none"> • 120 - 277V (347V CONSULT FACTORY) • 10KA SURGE SUPPRESSION STANDARD
DIFFUSERS	<ul style="list-style-type: none"> • HIGH EFFICIENCY ACRYLIC
MOUNTING	<ul style="list-style-type: none"> • 15" (38CM) STEM MOUNT
CONSTRUCTION	<ul style="list-style-type: none"> • ALUMINUM
FINISHES	<ul style="list-style-type: none"> • AVAILABLE IN SEVERAL TMS PLATED, AND POWDER COATED FINISHES • CUSTOM RAL FINISHES AVAILABLE
DIMMING	<ul style="list-style-type: none"> • 0 - 10V STANDARD DIMMING
WEIGHT	<ul style="list-style-type: none"> • 12 LBS MAXIMUM





IQ3™ PENDANT

PROJECT: _____

TYPE: _____

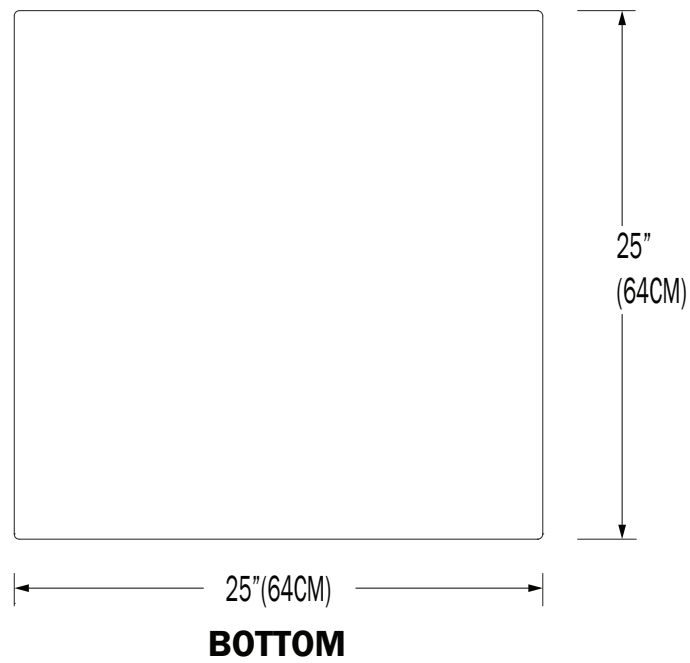
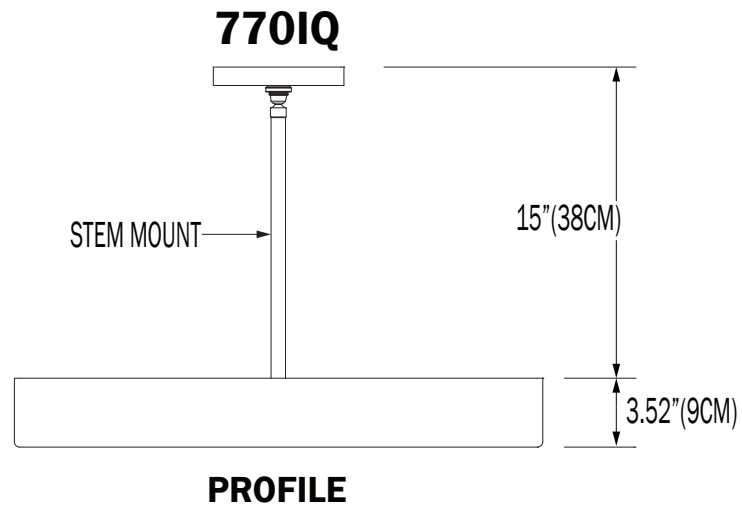
QUANTITY: _____

770IQ - - - - - 1 - - - - - 2 - - - - - 3 - - - - - 4 - - - - - 5 - - - - - 6

1.	ILLUMINATION									
	54LED									
	LED (W)	54W								
LUMENS	6329									
2.	30K			35K				40K		
	LED CCT	3000K		3500K				4000K		
3.	120					277				
	VOLTAGE	120V					277V			
4.	SN	SB	CH	BC	AC	AB	PB	F04	F05	F09
	SATIN NICKEL	SATIN BRASS	CHROME	BLACK CHROME	ANTIQUE COPPER	ANTIQUE BRASS	POLISHED BRASS	MATTE WHITE	GLOSS WHITE	PEWTER
	F15	F16	F18	F21	F31	F32	F33	F45	RAL	
FINISH	MATTE BLACK	GLOSS BLACK	SATIN ALUMINUM	ARCH BRONZE	SILVER METALLIC	BRONZE METALLIC	PYRITE BRONZE	COPPER METALLIC	CUSTOM (SPECIFY)	
5.	---					DIML				
	DIMMING	NONE				LED DIMMING (1 - 10V, CURRENT - SINKING)				
6.	---					EMR				
	EMERGENCY ¹	NONE				REMOTE				

1. 10W AT 90 MINUTES

NOTE: SOME OPTIONS MAY NOT BE COMPATIBLE WITH OTHERS. ALL SPECIFICATIONS ARE SUBJECT TO CHANGE WITHOUT NOTICE. CONTACT TMS LIGHTING FOR UPDATED SPECIFICATIONS.



CUSTOM

NOTE: THIS FIXTURE CAN BE CUSTOMIZE. DIMENSION, LAMP TYPES, ENCLOSURE, AND COLOR CAN BE MODIFIED TO SUIT YOUR LIGHTING AND ARCHITECTURAL REQUIREMENTS. CONTACT YOUR LOCAL REPRESENTATIVE FOR MORE DETAILS: <https://tmslighting.com/sales-agents.html>

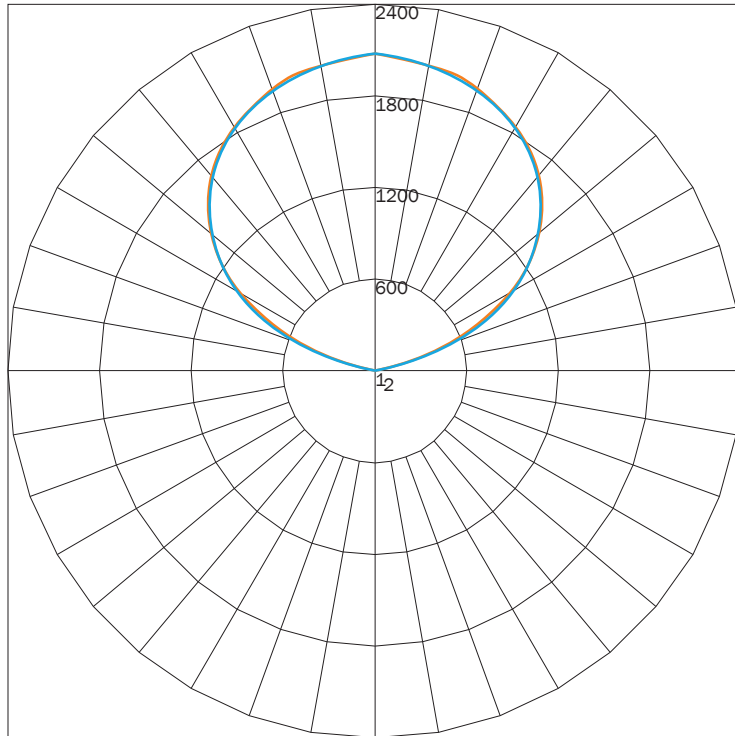
INDIRECT

PN	LUMENS	WATTAGE
770IQ	6329	54

IES INDOOR REPORT

PHOTOMETRIC FILENAME : 771IQ 54LED.IES

POLAR GRAPH



MAXIMUM CANDELA = 2129.18 LOCATED AT HORIZONTAL ANGLE = 30, VERTICAL ANGLE = 175
 # 1 - VERTICAL PLANE THROUGH HORIZONTAL ANGLES (90 - 270)
 # 2 - VERTICAL PLANE THROUGH HORIZONTAL ANGLES (0 - 180)

LUMINAIRE LUMENS	6329
TOTAL LUMINAIRE EFFICIENCY	NA
LUMINAIRE EFFICACY RATING	102
TOTAL LUMINAIRE WATTS	62

AVAILABLE FINISHES



SN
SATIN
NICKEL



SB
SATIN
BRASS



CH
CHROME



BC
BLACK
CHROME



AC
ANTIQUÉ
COPPER



AB
ANTIQUÉ
BRASS



PB
POLISHED
BRASS



F04
MATTE
WHITE



F05
GLOSS
WHITE



F09
PEWTER



F15
MATTE
BLACK



F16
GLOSS
BLACK



F18
SATIN
ALUMINUM



F21
ARCH
BRONZE



F31
SILVER
METALLIC



F32
METALLIC
BRONZE



F33
PYRITE
BRONZE



F45
COPPER
METALLIC



RAL
CUSTOM
COLOR
(RAL #)

NOTE: DISPLAYED FINISHES DIFFER BETWEEN SCREENS AS WELL AS PRINTERS AND MAY NOT ACCURATELY DEPICT COLOR.