

PROJECT: _____

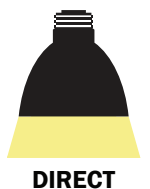
TYPE: _____

QUANTITY: _____



PN: HYW10

APPLICATION	<ul style="list-style-type: none"> • WALL MOUNT • INDOOR OR OUTDOOR RATED
DIMENSION	<ul style="list-style-type: none"> • 10" (25CM)
ILLUMINATION	<ul style="list-style-type: none"> • DIRECT • LED 90CRI • INCANDESCENT MEDIUM BASE SOCKET • 753 - 1602 LUMENS
ELECTRICAL	<ul style="list-style-type: none"> • 120V, 277V, AND 347V • 10KA SURGE SUPPRESSION STANDARD
DRIVER	<ul style="list-style-type: none"> • WALL MOUNT (INTEGRAL) • REMOTE MOUNT (INDOOR OR OUTDOOR)
DIFFUSERS	<ul style="list-style-type: none"> • CLEAR OR FROSTED, ELONGATED, GLASS GLOBE
MOUNTING	<ul style="list-style-type: none"> • WALL, MOUNTED TO A 4"(10CM) J-BOX
CONSTRUCTION	<ul style="list-style-type: none"> • ALUMINUM
FINISHES	<ul style="list-style-type: none"> • AVAILABLE ANODIZED, BRUSHED, AND IN SEVERAL TMS POWDER COATED FINISHES • CUSTOM RAL FINISHES AVAILABLE
DIMMING	<ul style="list-style-type: none"> • 0 - 10V STANDARD DIMMING
WEIGHT	<ul style="list-style-type: none"> • 6.25 LBS MAXIMUM





PROJECT: _____
 TYPE: _____
 QUANTITY: _____

HYW10

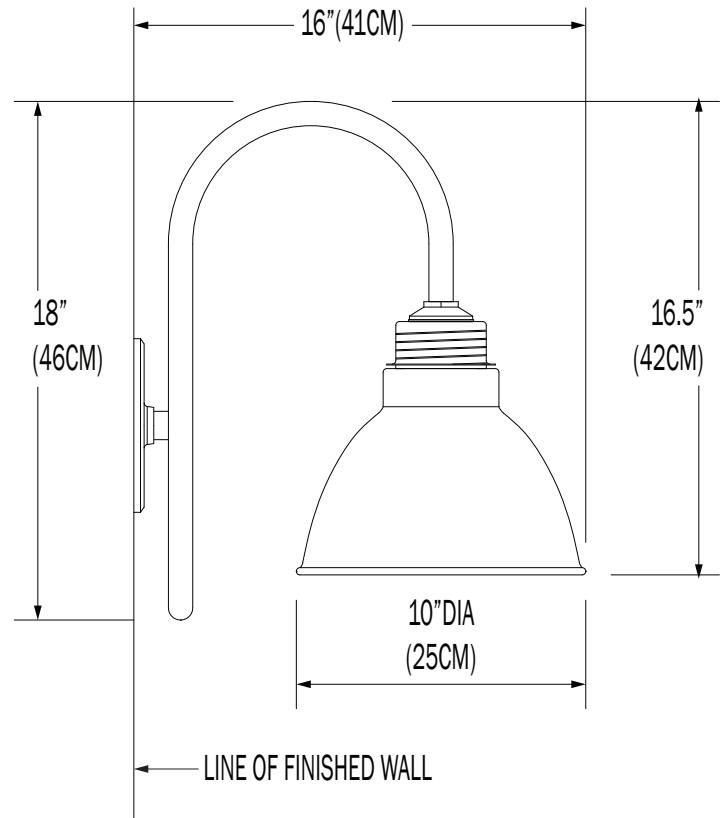
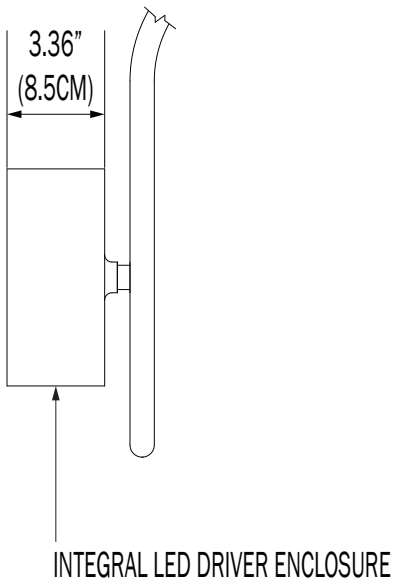
1 2 3 4 5 6 7 8 9 10

1.	I					O				
APPLICATION	INDOOR					OUTDOOR				
2.	ILLUMINATION									
	150IN					15LED				
LED (W)	150W					15W				
LUMENS	2670					1103				
3.	---		30K			35K			40K	
LED CCT	NONE		3000K			3500K			4000K	
4.	120			277			347			
VOLTAGE	120V			277V			347V			
5.	---		WM			N1			N4	
DRIVER	NONE		WALL MOUNT (INTEGRAL)			REMOTE INDOOR MOUNT (NEMA 1)			REMOTE OUTDOOR MOUNT (NEMA 4)	
6.	F04	F05	F15	F16	F09	F31	F18	F06	F07	F08
FINISH	MATTE WHITE	GLOSS WHITE	MATTE BLACK	GLOSS BLACK	PEWTER	SILVER METALLIC	SATIN ALUMINUM	CLAY BROWN	ZEUS BROWN	MIDNIGHT BLUE
	F10	F11	F13	F14	F21	F22	F24	F25	F26	F28
	FIRE RED	CITRUS ORANGE	FOREST GREEN	SUNSHINE YELLOW	ARCH. BRONZE	HARVEST GOLD	MELTED PLATINUM	MELTED GOLD	MELTED COPPER	DARK CAMPAGNE
	F32	F33	F38	F39	F40	F41	F42	F43	F44	F45
	BRONZE METALLIC	PYRITE BRONZE	MEADOW GREEN	AQUA BLUE	BUBBLE PINK	ELECTRIC PURPLE	FAUX CHROME	FAUX GOLD	FAUX COPPER	COPPER METALLIC
	RAL	BR	AN							
CUSTOM (SPECIFY RAL)	BRUSHED ALUMINUM	ANODIZED								
7.	---					DIML				
DIMMING	NONE					LED DIMMING (0 - 10V, CURRENT-SINKING)				
8.	---		EM			EMC		EMR		EMCR
EMERGENCY ¹	NONE		INTEGRAL			INTEGRAL COLD PACK		REMOTE		REMOTE COLD PACK
9.	---			G1				G2		
GLOBE/ LENS	NONE			CLEAR, ELONGATED GLOBE				FROSTED GLOBE		
10.	---					W10				
WIRE GUARD	NONE					10" WIRE GUARD				

1. 10W AT 90 MINUTES. EMERGENCY OPTION IS ONLY AVAILABLE IN 120 - 277V SYSTEMS

NOTE: SOME OPTIONS MAY NOT BE COMPATIBLE WITH OTHERS. ALL SPECIFICATIONS ARE SUBJECT TO CHANGE WITHOUT NOTICE. CONTACT TMS LIGHTING FOR UPDATED SPECIFICATIONS.

HYW10



CUSTOM

NOTE: THIS FIXTURE CAN BE CUSTOMIZE. DIMENSION, LAMP TYPES, ENCLOSURE, AND COLOR CAN BE MODIFIED TO SUIT YOUR LIGHTING AND ARCHITECTURAL REQUIREMENTS. CONTACT YOUR LOCAL REPRESENTATIVE FOR MORE DETAILS: <https://tmslighting.com/sales-agents.html>

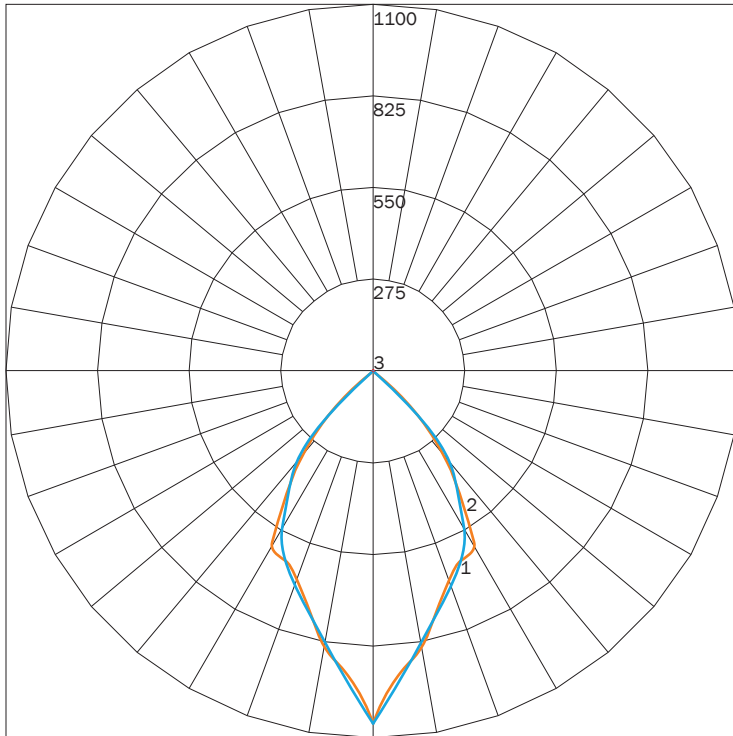
DIRECT

PN	ILLUMINATION	LUMENS	WATTAGE
HYW10	15LED	1103	15
	150IN	2670	150

IES INDOOR REPORT

PHOTOMETRIC FILENAME : HYW10 15LED.IES

POLAR GRAPH



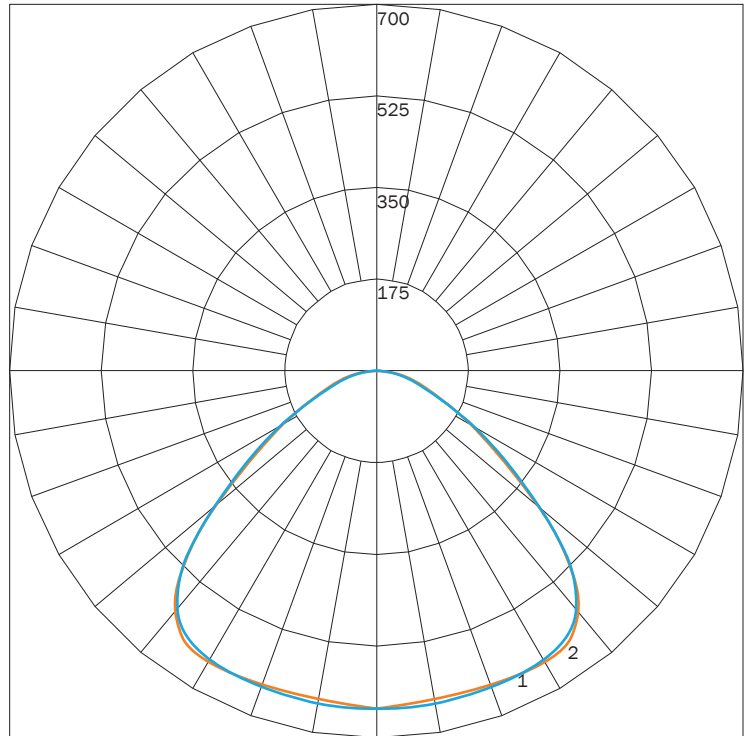
MAXIMUM CANDELA = 1058.7 LOCATED AT HORIZONTAL ANGLE = 0, VERTICAL ANGLE = 0
 # 1 - VERTICAL PLANE THROUGH HORIZONTAL ANGLES (90 - 270)
 # 2 - VERTICAL PLANE THROUGH HORIZONTAL ANGLES (0 - 180)
 # 3 - HORIZONTAL CONE THROUGH VERTICAL ANGLE (90)

LUMINAIRE LUMENS	1103
TOTAL LUMINAIRE EFFICIENCY	NA
LUMINAIRE EFFICACY RATING	65
TOTAL LUMINAIRE WATTS	17

IES INDOOR REPORT

PHOTOMETRIC FILENAME : HYW10 150IN.IES

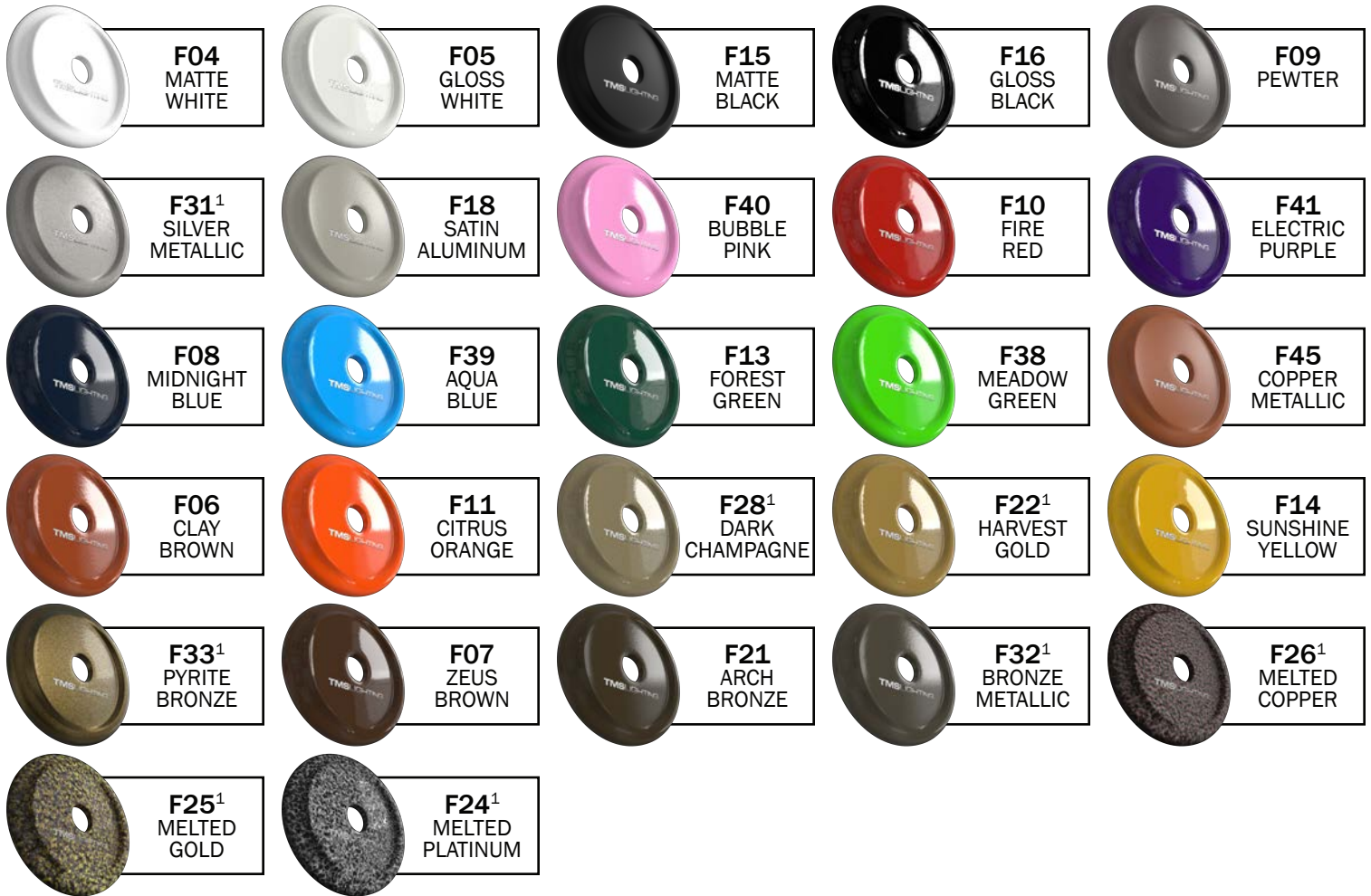
POLAR GRAPH



MAXIMUM CANDELA = 678.319 LOCATED AT HORIZONTAL ANGLE = 180, VERTICAL ANGLE = 10
 # 1 - VERTICAL PLANE THROUGH HORIZONTAL ANGLES (90 - 270)
 # 2 - VERTICAL PLANE THROUGH HORIZONTAL ANGLES (0 - 180)

LUMINAIRE LUMENS	2670
TOTAL LUMINAIRE EFFICIENCY	69%
LUMINAIRE EFFICACY RATING	18
TOTAL LUMINAIRE WATTS	150

FINISHES



PREMIUM FINISHES



PREMIUM MATERIALS



1: FINISHES IS APPLIED TO THE INTERIOR AND EXTERIOR OF THE FIXTURE.

2: MATERIALS ARE CONSISTENT (INTERIOR & EXTERIOR). STEMS AND CANOPIES WILL BE F16 GLOSS BLACK.

NOTE: ALL FINISHES NOT MARKED WITH NOTATION (1) ARE APPLIED TO THE EXTERIOR ONLY. THE INTERIOR WILL BE F05 GLOSS WHITE.

MATTE FINISHES AVAILABLE. CONSULT FACTORY.

FINISHES ARE SUBJECT TO AVAILABILITY AND MAY NOT BE APPLICABLE TO ALL FIXTURES OR FOR QUICKSHIP.

DISPLAYED FINISHES DIFFER BETWEEN SCREENS AS WELL AS PRINTERS AND MAY NOT ACCURATELY DEPICT COLOR.