

HAILEY™ PENDANT

PROJECT: _____

TYPE: _____

QUANTITY: _____



PN: HAI

APPLICATION	<ul style="list-style-type: none">• PENDANT MOUNT• INDOOR OR OUTDOOR RATED
DIMENSION	<ul style="list-style-type: none">• 9", 10", 12", 15", 18", 20" (23CM, 25CM, 31CM, 38CM, 45CM, 51CM)
ILLUMINATION	<ul style="list-style-type: none">• DIRECT• LED 90CRI• 1,083 - 2,894 LUMENS
ELECTRICAL	<ul style="list-style-type: none">• 120V, 277V, AND 347V• 10KA SURGE SUPPRESSION STANDARD
DIFFUSERS	<ul style="list-style-type: none">• CLEAR OR FROSTED, TEMPERED GLASS GLOBE
MOUNTING	<ul style="list-style-type: none">• 120" (305CM) BLACK OR WHITE DROP CORD W/ AIRCRAFT CABLE (OPTIONAL)• 1" TO 60" (2.5CM TO 152CM) STEM MOUNT
CONSTRUCTION	<ul style="list-style-type: none">• ALUMINUM, SOLID COPPER, OR STEEL
FINISHES	<ul style="list-style-type: none">• AVAILABLE IN SEVERAL TMS SPECIALTY, AND POWDER COATED FINISHES• CUSTOM RAL FINISHES AVAILABLE
DIMMING	<ul style="list-style-type: none">• 0 - 10V STANDARD DIMMING
WEIGHT	<ul style="list-style-type: none">• 6.25 LBS MAXIMUM





HAILEY™ PENDANT

PROJECT: _____

TYPE: _____

QUANTITY: _____

HAI - - - - - 1 - - - - - 2 - - - - - 3 - - - - - 4 - - - - - 5 - - - - - 6 - - - - - 7 - - - - - 8 - - - - - 9 - - - - - 10 - - - - - 11 - - - - - 12 - - - - - 13

1.	I					O						
APPLICATION	INDOOR					OUTDOOR						
2.	9¹	10²	12³	15³	18⁴	20⁴						
DIAMETER	9"DIA. (23CM)	10"DIA. (25CM)	12"DIA. (31CM)	15"DIA. (38CM)	18"DIA. (46CM)	20"DIA. (51CM)						
3.	100IN		200IN		15LED	16LED⁵	19LED	32LED				
ILLUMINATION	MED BASE (MAX 100W INC)		MED BASE (MAX 100W INC)		15W LED	16W LED <small>PAR38 E26 MED. BASE 40* 1400 LUMENS (27/30/35/40/50K) REFER TO PAGE 7</small>	19W LED	32W LED				
4.	CRD	C01	C06	C12	C18	C24	C36	C48	C60			
MOUNTING	120"(305CM) DROP CORD	1"(2.5CM) STEM MOUNT	6"(15CM) STEM MOUNT	12"(31CM) STEM MOUNT	18"(46CM) STEM MOUNT	24"(61CM) STEM MOUNT	36"(91CM) STEM MOUNT	48"(122CM) STEM MOUNT	60"(152CM) STEM MOUNT			
5.	---			BC			WC					
CORD	NONE			BLACK DROP CORD			WHITE DROP CORD					
6.	---			30K		35K		40K				
LED CCT	NONE			3000		3500		4000				
7.	120			277			347					
VOLTAGE	120V			277V			347V					
8.	ADDITIONAL AND PREMIUM FINISHES AVAILABLE. SEE FINISHES CHART			F04	F05	F15	F16	F09	F31	F18		
FINISH ⁵						MATTE WHITE	GLOSS WHITE	MATTE BLACK	GLOSS BLACK	PEWTER	SILVER METALLIC	SATIN ALUMINUM
				F06	F07	F08	F10	F11	F13	F14	F21	F22
	CLAY BROWN	ZEUS BROWN	MIDNIGHT BLUE	FIRE RED	CITRUS ORANGE	FOREST GREEN	SUNSHINE YELLOW	ARCH. BRONZE	HARVEST GOLD	MELTED PLATINUM		
9.	---		G1	G2	G9	G11	G12					
GLOBE/ LENS ⁶	NONE		CLEAR, ELONGATED GLOBE	FROSTED GLOBE	CLEAR, ELONGATED, LARGE GLOBE	CLEAR, ELONGATED, GLOBE W/ CAST GUARD	CLEAR, ELONGATE, LARGE GLOBE W/ CAST GUARD					
10.	---				DIML							
DIMMING	NONE				LED DIMMING (0 - 10V, CURRENT - SINKING)							
11.	---		EM	EMC		EMR		EMCR				
EMERGENCY ⁷	NONE		INTEGRAL	INTEGRAL COLD PACK		REMOTE		REMOTE COLD PACK				
12.	---			BL			ACC					
MOUNTING ⁸ ACCESSORIES	NONE			CEILING SLOPE ADAPTER FOR STEM MOUNT (30°)			AIRCRAFT CABLE FOR DROP CORDS					
13.	---		W10	W12	W15	W18	W20					
WIRE GUARD	NONE		10" (25CM) WIRED GUARD	12" (31CM) WIRED GUARD	15" (38CM) WIRED GUARD	18" (46CM) WIRED GUARD	20" (22CM) WIRED GUARD					

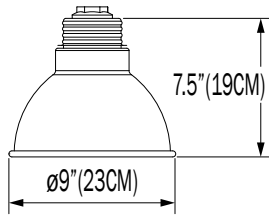
1. SIZE 9" IS ONLY AVAILABLE FOR 100IN AND 15LED
 2. SIZE 10" IS ONLY AVAILABLE FOR 100IN, 15LED, AND 17LED
 3. SIZES 12" AND 15" ARE NOT AVAILABLE FOR 200IN AND 32LED
 4. SIZES 18" AND 20" ARE NOT AVAILABLE FOR 15LED

5. A CLEAR COAT IS APPLIED TO COPPER. PATINA WILL FORM OVER TIME
 6. GLOBES AND EMERGENCY ARE NOT AVAILABLE WITH THE 17W LED PAR 38 LAMPS
 7. 10W AT 90 MINUTES. EMERGENCY OPTION IS ONLY AVAILABLE IN 120 - 277V SYSTEMS
 8. MAY BE REQUIRED TO COMPLY WITH LOCAL SEISMIC/EARTHQUAKE CODE

NOTE: SOME OPTIONS MAY NOT BE COMPATIBLE WITH OTHERS. ALL SPECIFICATIONS ARE SUBJECT TO CHANGE WITHOUT NOTICE. CONTACT TMS LIGHTING FOR UPDATED SPECIFICATIONS.

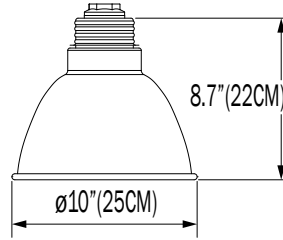
HAI - 9"

3LB



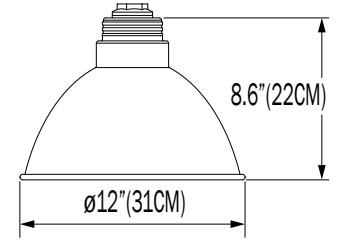
HAI - 10"

3.25LB



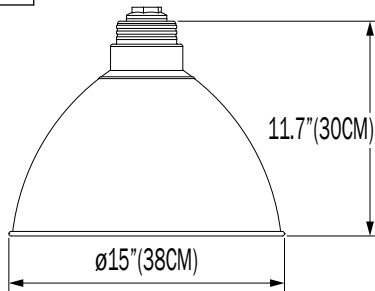
HAI - 12"

3.65LB



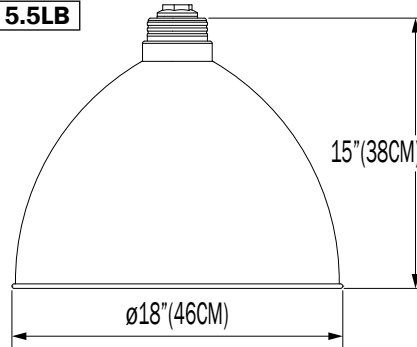
HAI - 15"

4.3LB



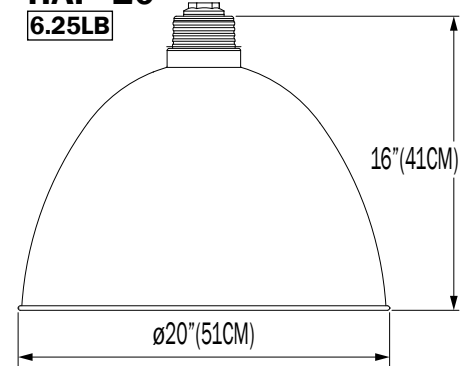
HAI - 18"

5.5LB



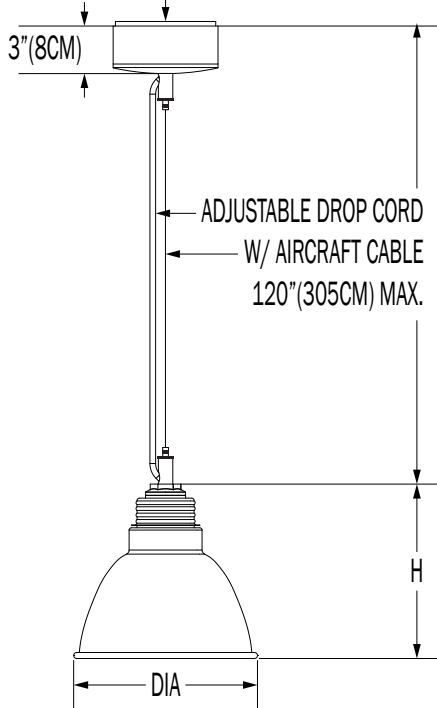
HAI - 20"

6.25LB



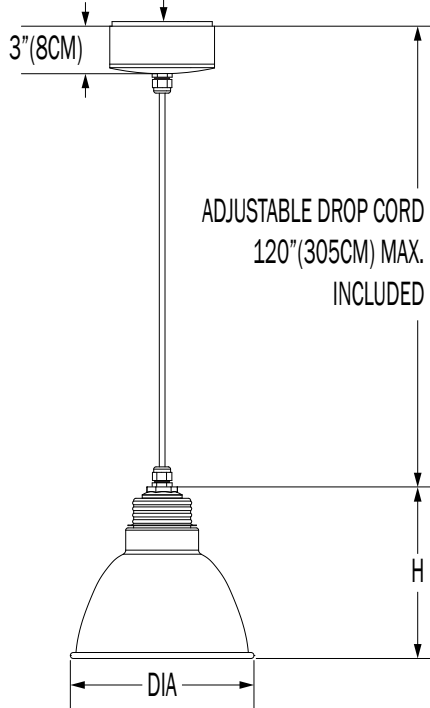
**DROP CORD MOUNT
W/ AIRCRAFT CABLE**

CANOPY DRIVER ENCLOSURE



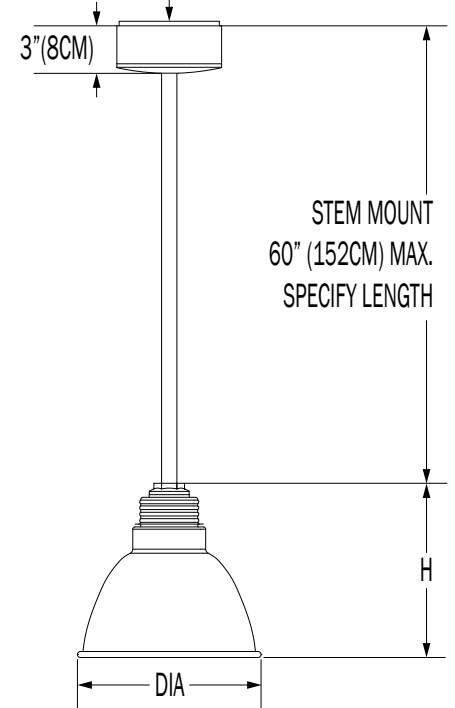
DROP CORD MOUNT

CANOPY DRIVER ENCLOSURE



STEM MOUNT

CANOPY DRIVER ENCLOSURE



CUSTOM

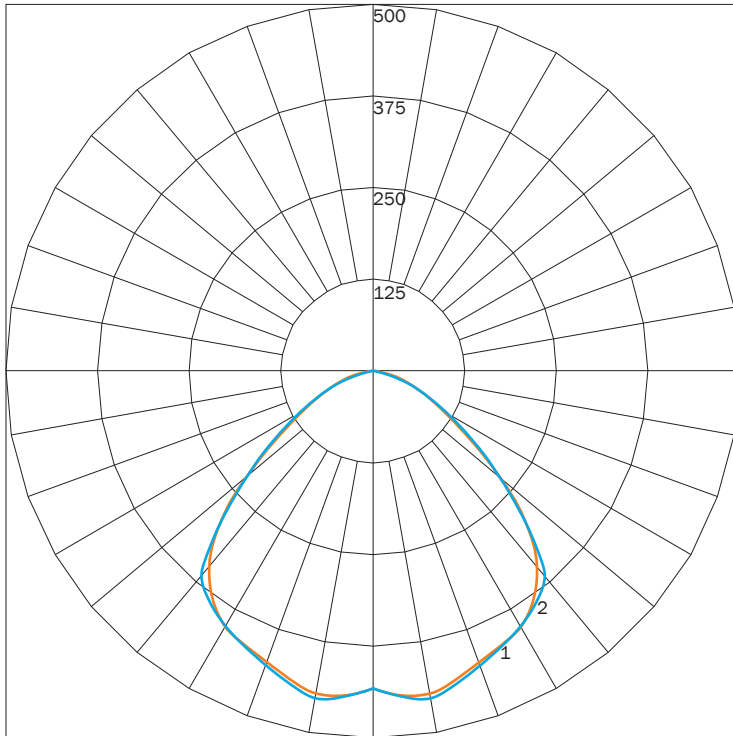
NOTE: THIS FIXTURE CAN BE CUSTOMIZE. DIMENSION, LAMP TYPES, ENCLOSURE, AND COLOR CAN BE MODIFIED TO SUIT YOUR LIGHTING AND ARCHITECTURAL REQUIREMENTS. CONTACT YOUR LOCAL REPRESENTATIVE FOR MORE DETAILS: <https://tmslighting.com/sales-agents.html>

DIRECT

PN	SIZE (DIA)	ILLUMINATION	LUMENS	WATTAGE
HAI	9	100INC	1093	100
		15LED	1102	15
	10	100INC	1166	100
		15LED	1103	15
	12	100INC	1217	100
		15LED	1096	15
		19LED	1878	19
	15	100INC	1236	100
		15LED	1083	15
		19LED	1860	19
	18	200INC	2534	200
		19LED	1856	19
		32LED	2894	32
	20	200INC	2471	200
19LED		1844	19	
		32LED	2843	32

IES INDOOR REPORT
PHOTOMETRIC FILENAME : HAI 9 100IN.IES

POLAR GRAPH

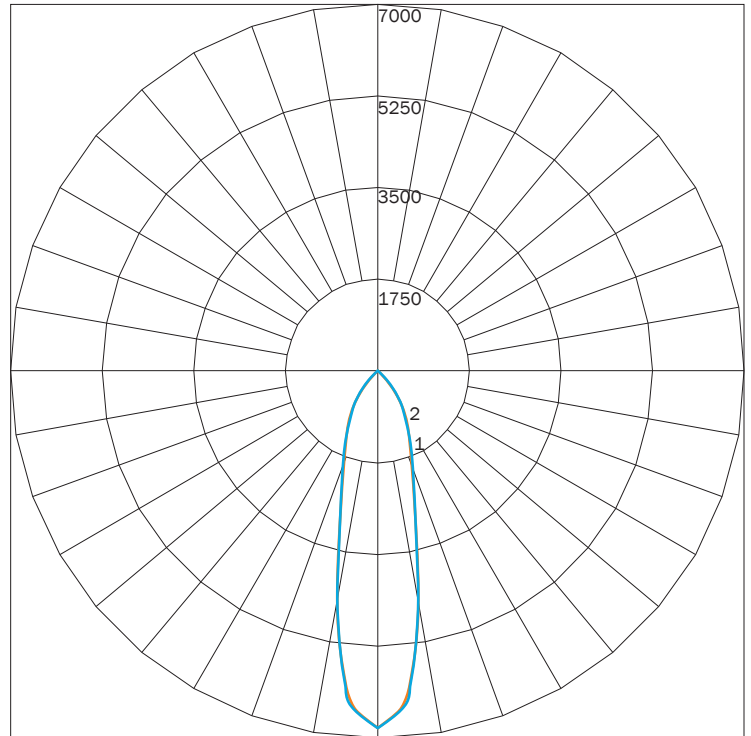


MAXIMUM CANDELA = 467.71 LOCATED AT HORIZONTAL ANGLE = 22.5, VERTICAL ANGLE = 10
 # 1 - VERTICAL PLANE THROUGH HORIZONTAL ANGLES (90 - 270)
 # 2 - VERTICAL PLANE THROUGH HORIZONTAL ANGLES (0 - 180)

LUMINAIRE LUMENS 1093
TOTAL LUMINAIRE EFFICIENCY 64%
LUMINAIRE EFFICACY RATING 11
TOTAL LUMINAIRE WATTS 100

IES INDOOR REPORT
PHOTOMETRIC FILENAME : HAI 20 32LED.IES

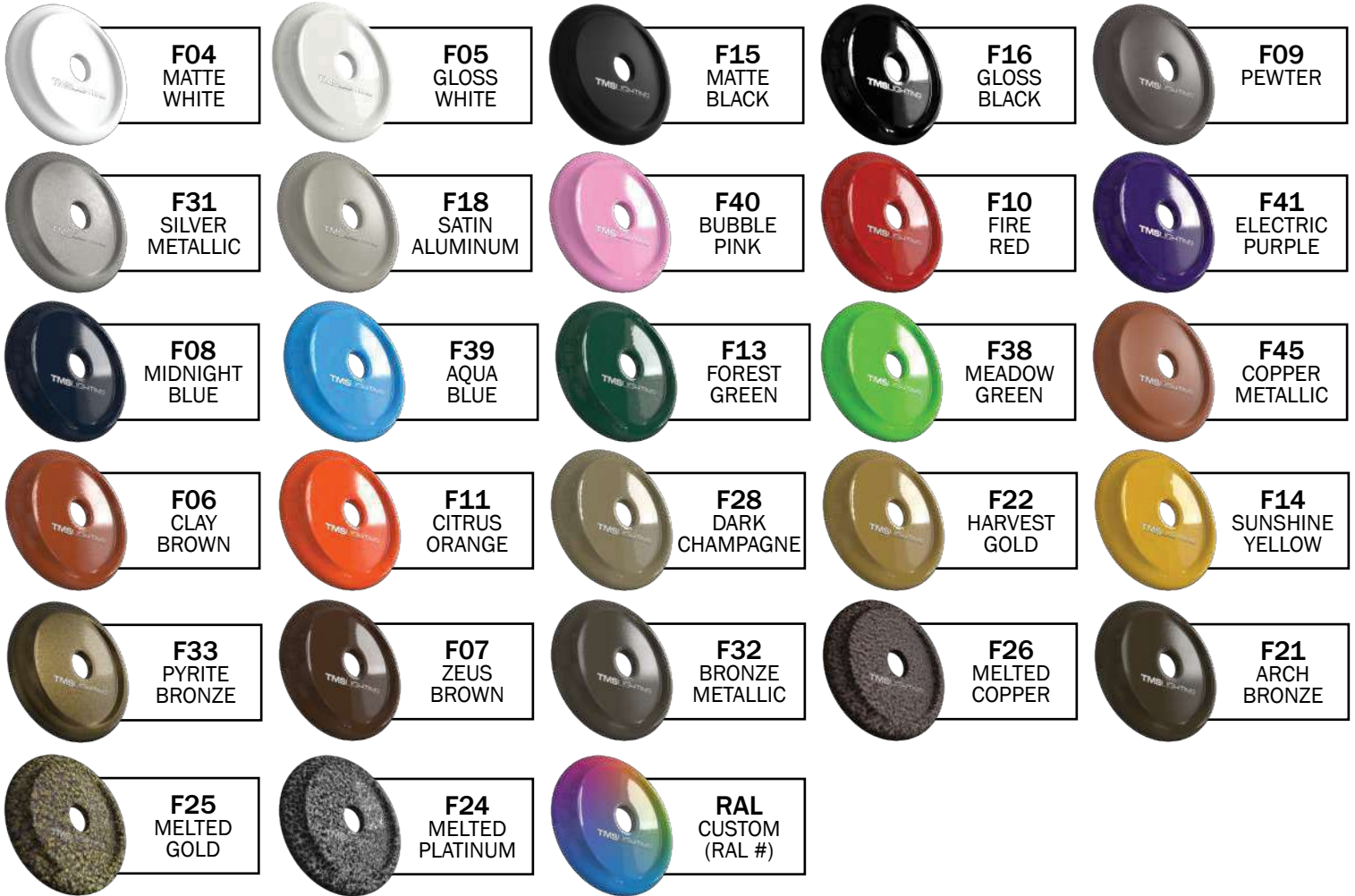
POLAR GRAPH



MAXIMUM CANDELA = 6818.64 LOCATED AT HORIZONTAL ANGLE = 0, VERTICAL ANGLE = 0
 # 1 - VERTICAL PLANE THROUGH HORIZONTAL ANGLES (90 - 270)
 # 2 - VERTICAL PLANE THROUGH HORIZONTAL ANGLES (0 - 180)

LUMINAIRE LUMENS 2843
TOTAL LUMINAIRE EFFICIENCY NA
LUMINAIRE EFFICACY RATING 78
TOTAL LUMINAIRE WATTS 36

FINISHES



PREMIUM FINISHES



PREMIUM MATERIALS



1: FINISHES IS APPLIED TO THE INTERIOR AND EXTERIOR OF THE FIXTURE.

2: MATERIALS ARE CONSISTENT (INTERIOR & EXTERIOR). STEMS AND CANOPIES WILL BE F16 GLOSS BLACK.

NOTE: ALL FINISHES NOT MARKED WITH NOTATION (1) ARE APPLIED TO THE EXTERIOR ONLY. THE INTERIOR WILL BE F05 GLOSS WHITE.

MATTE FINISHES AVAILABLE. CONSULT FACTORY.

FINISHES ARE SUBJECT TO AVAILABILITY AND MAY NOT BE APPLICABLE TO ALL FIXTURES OR FOR QUICKSHIP.

DISPLAYED FINISHES DIFFER BETWEEN SCREENS AS WELL AS PRINTERS AND MAY NOT ACCURATELY DEPICT COLOR.

16W LED PAR 38 MED BASE, 40° (SUPPLIED)

HD-PAR/I90/5CCT



FEATURES & BENEFITS

5 FIELD SELECTABLE CCT'S (27/30/35/40/50K)

HIGH CRI (90+)

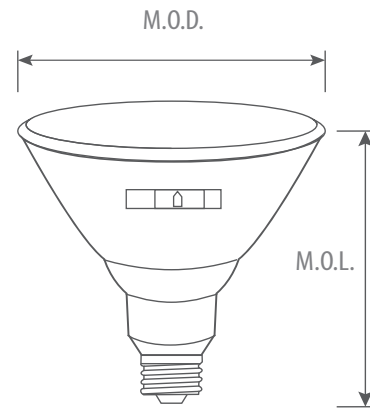
GLASS LENS

25,000 HRS AVERAGE LIFE

WET LOCATION RATED

DIMMABLE

DIMENSIONAL DRAWING



MODEL NUMBER	WATTAGE (W)	BASE	VOLTAGE (V)	HOUR RATING	BEAM ANGLE	INITIAL LUMENS(LM)	CCT(K)	CRI	ENCLOSED FIXTURE APPLICATION	WET LOCATION	M.O.D. (INCH)	M.O.L. (INCH)	CASE QTY.
16W LED	16	E26	120	25,000	40°	1400	27/30/35/40/50	90	NO	YES	4.8	5.31	20

