

# GENESIS LN™ PENDANT

PROJECT: \_\_\_\_\_

TYPE: \_\_\_\_\_

QUANTITY: \_\_\_\_\_



## PN: 912LN

<b>APPLICATION</b>	<ul style="list-style-type: none"><li>• PENDANT MOUNT</li><li>• INDOOR RATED</li></ul>
<b>DIMENSION</b>	<ul style="list-style-type: none"><li>• 14" (36CM)</li></ul>
<b>ILLUMINATION</b>	<ul style="list-style-type: none"><li>• DIRECT</li><li>• LED 90CRI</li><li>• 1,041 - 1,732 LUMENS</li></ul>
<b>ELECTRICAL</b>	<ul style="list-style-type: none"><li>• 120V, 277V, AND 347V</li><li>• 10kA SURGE SUPPRESSION STANDARD</li></ul>
<b>DIFFUSERS</b>	<ul style="list-style-type: none"><li>• HIGH EFFICIENCY ACRYLIC</li></ul>
<b>MOUNTING</b>	<ul style="list-style-type: none"><li>• 120" (305CM) BLACK OR WHITE DROP CORD W/ AIRCRAFT CABLE</li><li>• 1" TO 60" (2.5CM TO 152CM) STEM MOUNT</li></ul>
<b>CONSTRUCTION</b>	<ul style="list-style-type: none"><li>• ALUMINUM</li></ul>
<b>FINISHES</b>	<ul style="list-style-type: none"><li>• AVAILABLE IN SEVERAL TMS POWDER COATED FINISHES</li><li>• CUSTOM RAL FINISHES AVAILABLE</li></ul>
<b>DIMMING</b>	<ul style="list-style-type: none"><li>• 0 - 10V STANDARD DIMMING</li></ul>
<b>WEIGHT</b>	<ul style="list-style-type: none"><li>• 6 LBS MAXIMUM</li></ul>



# GENESIS LN™ PENDANT



PROJECT: \_\_\_\_\_

TYPE: \_\_\_\_\_

QUANTITY: \_\_\_\_\_

## 912LN

1 2 3 4 5 6 7 8 9

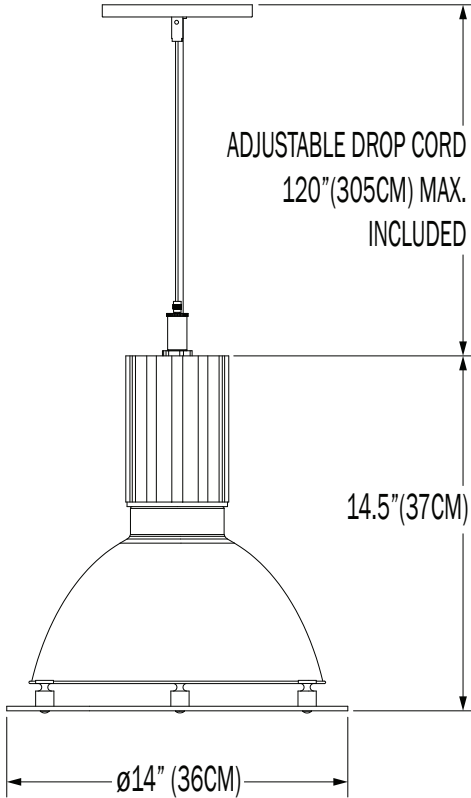
1.	ILLUMINATION									
	15LED					19LED				
LED (W)	15W					19W				
LUMENS	1041					1732				
2.	CRD	C06	C12	C18	C24	C36	C48	C60		
MOUNTING	120"(305CM) DROP CORD	6"(15CM) STEM MOUNT	12"(31CM) STEM MOUNT	18"(46CM) STEM MOUNT	24"(61CM) STEM MOUNT	36"(91CM) STEM MOUNT	48"(122CM) STEM MOUNT	60"(152CM) STEM MOUNT		
3.	30K			35K			40K			
LED CCT	3000K			3500K			4000K			
4.	120			277			347			
VOLTAGE	120V			277V			347V			
5.	F04	F05	F09	F15	F16	F18	F24	F25	F26	F31
FINISH	MATTE WHITE	GLOSS WHITE	PEWTER	MATTE BLACK	GLOSS BLACK	SATIN ALLUMINUM	MELTED PLATINUM	MELTED GOLD	MELTED COPPER	SILVER METALLIC
	F32	F33	RAL							
	BRONZE METALLIC	PYRITE BRONZE	CUSTOM (SPECIFY)							
6.	F04	F05	F09	F15	F16	F18	F24	F25	F26	F31
ACCENT FINISH	MATTE WHITE	GLOSS WHITE	PEWTER	MATTE BLACK	GLOSS BLACK	SATIN ALLUMINUM	MELTED PLATINUM	MELTED GOLD	MELTED COPPER	SILVER METALLIC
	F32	F33	RAL							
	BRONZE METALLIC	PYRITE BRONZE	CUSTOM (SPECIFY)							
7.	---					DIML				
DIMMING	NONE					LED DIMMING (0 - 10V, CURRENT - SINKING)				
8.	---					EMR				
EMERGENCY <sup>1</sup>	NONE					REMOTE				
9.	BL					ACC				
MOUNTING <sup>3</sup> ACCESSORIES	CEILING SLOPE ADAPTER FOR STEM MOUNT (30°)					AIRCRAFT CABLE FOR DROP CORDS				

1. 10W AT 90 MINUTES. EMERGENCY OPTION IS ONLY AVAILABLE IN 120 - 277V SYSTEMS  
 2. MAY REQUIRE TO COMPLY WITH LOCAL SEISMIC/EARTHQUAKE CODE

NOTE: SOME OPTIONS MAY NOT BE COMPATIBLE WITH OTHERS. ALL SPECIFICATIONS ARE SUBJECT TO CHANGE WITHOUT NOTICE. CONTACT TMS LIGHTING FOR UPDATED SPECIFICATIONS.

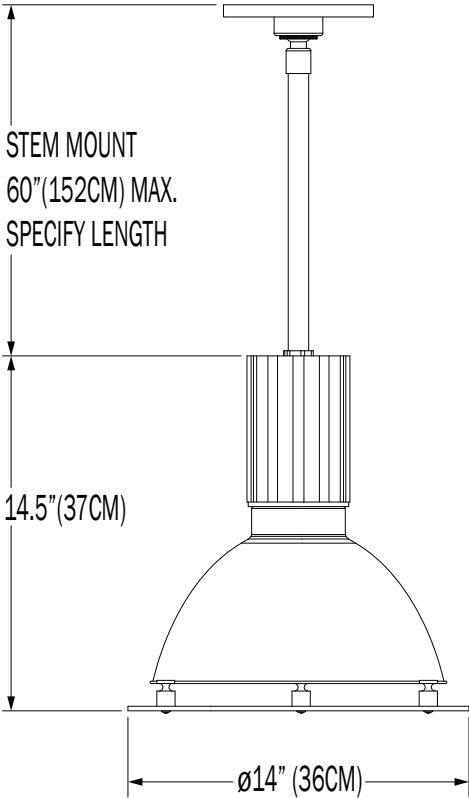
# GENESIS LN™ PENDANT

## DROP CORD MOUNT W/ AIRCRAFT CABLE

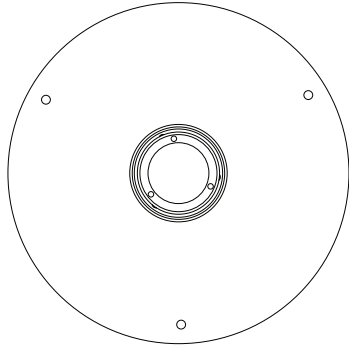
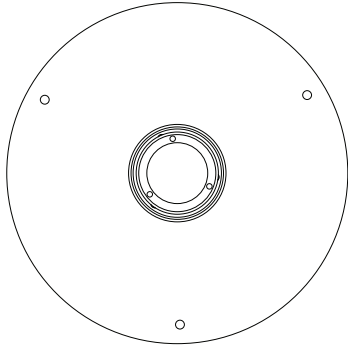


## STEM MOUNT

### PROFILE



### BOTTOM



# GENESIS LN™ PENDANT

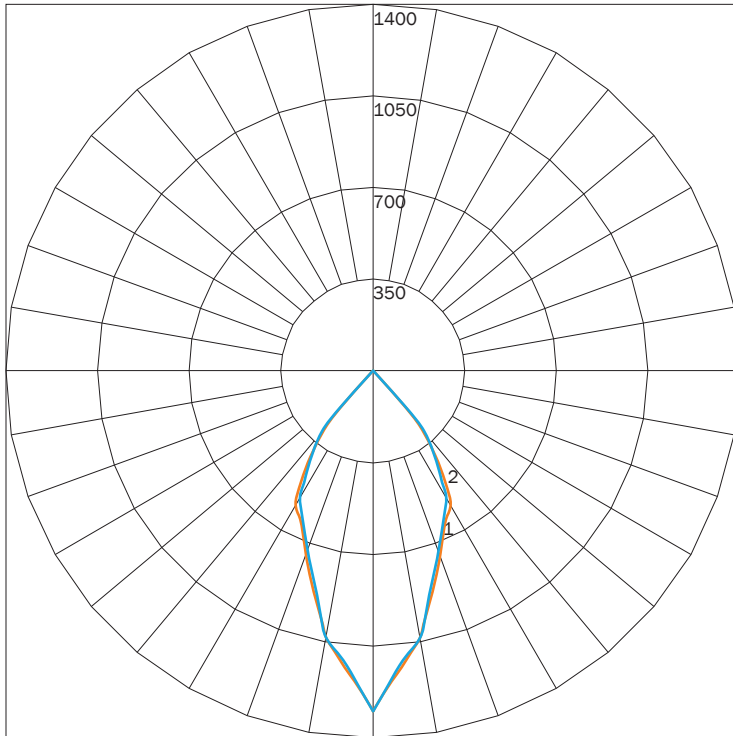
## DIRECT

PN	ILLUMINATION	LUMENS	WATTAGE
912LN	15LED	1041	15
	19LED	1732	19

### IES INDOOR REPORT

PHOTOMETRIC FILENAME : 912LN 15LED.IES

### POLAR GRAPH



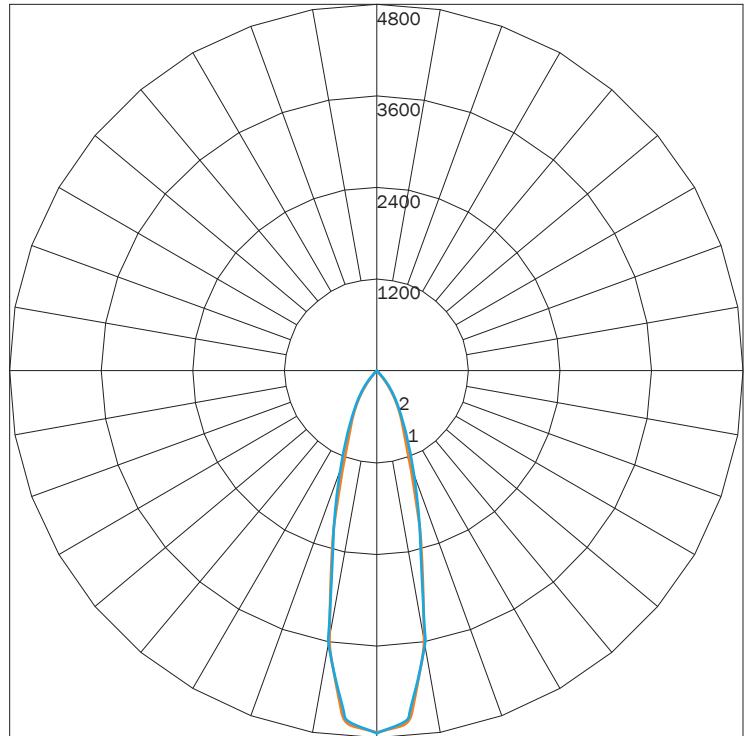
MAXIMUM CANDELA = 1299.72 LOCATED AT HORIZONTAL ANGLE = 0, VERTICAL ANGLE = 0  
 # 1 - VERTICAL PLANE THROUGH HORIZONTAL ANGLES (90 - 270)  
 # 2 - VERTICAL PLANE THROUGH HORIZONTAL ANGLES (0 - 180)

**LUMINAIRE LUMENS** 1041  
**TOTAL LUMINAIRE EFFICIENCY** NA  
**LUMINAIRE EFFICACY RATING** 60  
**TOTAL LUMINAIRE WATTS** 17

### IES INDOOR REPORT

PHOTOMETRIC FILENAME : 912LN 19LED.IES

### POLAR GRAPH



MAXIMUM CANDELA = 4741.45 LOCATED AT HORIZONTAL ANGLE = 0, VERTICAL ANGLE = 0  
 # 1 - VERTICAL PLANE THROUGH HORIZONTAL ANGLES (90 - 270)  
 # 2 - VERTICAL PLANE THROUGH HORIZONTAL ANGLES (180 - 0)

**LUMINAIRE LUMENS** 1732  
**TOTAL LUMINAIRE EFFICIENCY** NA  
**LUMINAIRE EFFICACY RATING** 81  
**TOTAL LUMINAIRE WATTS** 22

## AVAILABLE FINISHES



**F04**  
MATTE  
WHITE



**F05**  
GLOSS  
WHITE



**F09**  
PEWTER



**F15**  
MATTE  
BLACK



**F16**  
GLOSS  
BLACK



**F18**  
SATIN  
ALUMINUM



**F24**  
MELTED  
PLATINUM



**F25**  
MELTED  
GOLD



**F26**  
MELTED  
COPPER



**F31**  
SILVER  
METALLIC



**F33**  
PYRITE  
BRONZE



**RAL**  
CUSTOM  
COLOR  
(RAL #)

NOTE: DISPLAYED FINISHES DIFFER BETWEEN SCREENS AS WELL AS PRINTERS AND MAY NOT ACCURATELY DEPICT COLOR.