

GENESIS DOWNLIGHT™ CYLINDER

PROJECT: _____

TYPE: _____

QUANTITY: _____



PN: GE620

APPLICATION	<ul style="list-style-type: none">• WALL MOUNT• INDOOR RATED
DIMENSION	<ul style="list-style-type: none">• 4.25" DIA (10.8CM)
ILLUMINATION	<ul style="list-style-type: none">• DIRECT• LED 90CRI• 888 - 1,182 LUMENS
ELECTRICAL	<ul style="list-style-type: none">• 120 - 277V (347V CONSULT FACTORY)• 10kA SURGE SUPPRESSION STANDARD
DIFFUSERS	<ul style="list-style-type: none">• HIGH EFFICIENCY ACRYLIC
MOUNTING	<ul style="list-style-type: none">• WALL, MOUNTED OVER A 4"(10CM) J-BOX
CONSTRUCTION	<ul style="list-style-type: none">• ALUMINUM
FINISHES	<ul style="list-style-type: none">• AVAILABLE IN SEVERAL TMS POWDER COATED FINISHES• CUSTOM RAL FINISHES AVAILABLE
DIMMING	<ul style="list-style-type: none">• 0 - 10V STANDARD DIMMING
WEIGHT	<ul style="list-style-type: none">• 5.5 LBS MAXIMUM



DIRECT

GENESIS DOWNLIGHT™ CYLINDER



PROJECT: _____

TYPE: _____

QUANTITY: _____

GE620

1 2 3 4 5 6 7

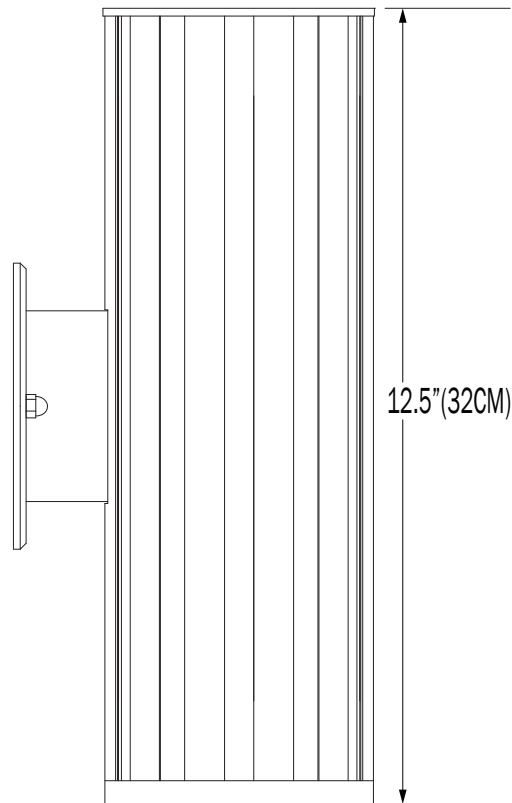
1.	ILLUMINATION									
	10LED					15LED				
	LED (W)	10W					15W			
LUMENS	888					1182				
2.	30K			35K			40K			
	LED CCT	3000K			3500K			4000K		
3.	120					277				
	VOLTAGE	120V					277V			
4.	F04	F05	F09	F10	F13	F14	F15	F16	F18	F21
	MATTE WHITE	GLOSS WHITE	PEWTER	FIRE RED	FOREST GREEN	SUNSHINE YELLOW	MATTE BLACK	GLOSS BLACK	SATIN ALUMINUM	ARCH BRONZE
	F24	F25	F26	F31	F33	RAL				
FINISH	MELTED PLATINUM	MELTED GOLD	MELTED COPPER	SILVER METALLIC	PYRITE BRONZE	CUSTOM (SPECIFY)				
5.	AN	BR	F04	F05	F09	F10	F13	F14	F15	F16
	ANODIZED	BRUSHED ALUMINUM	MATTE WHITE	GLOSS WHITE	PEWTER	FIRE RED	FOREST GREEN	SUNSHINE YELLOW	MATTE BLACK	GLOSS BLACK
	F18	F21	F24	F25	F26	F31	F33	RAL		
ACCENT FINISH	SATIN ALUMINUM	ARCH BRONZE	MELTED PLATINUM	MELTED GOLD	MELTED COPPER	SILVER METALLIC	PYRITE BRONZE	CUSTOM (SPECIFY)		
6.	---					DIML				
	DIMMING	NONE					LED DIMMING (0 - 10V, CURRENT - SINKING)			
7.	---					GRE				
	DIFFUSER	STANDARD, CLEAR LENS					CLEAR, GREEN EDGE LENS			

NOTE: SOME OPTIONS MAY NOT BE COMPATIBLE WITH OTHERS. ALL SPECIFICATIONS ARE SUBJECT TO CHANGE WITHOUT NOTICE. CONTACT TMS LIGHTING FOR UPDATED SPECIFICATIONS.

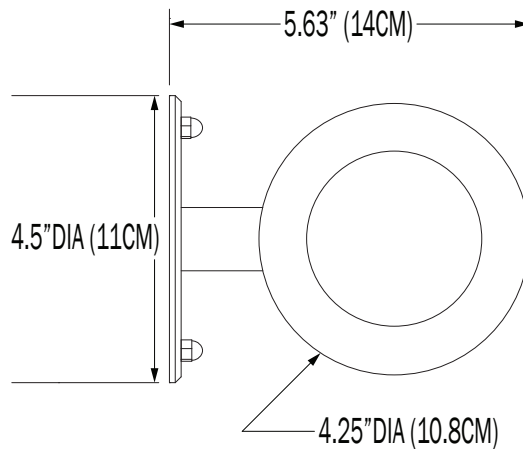
GENESIS DOWNLIGHT™ CYLINDER

CYLINDER

GE620



TOP/BOTTOM



CUSTOM

NOTE: THIS FIXTURE CAN BE CUSTOMIZE. DIMENSION, LAMP TYPES, ENCLOSURE, AND COLOR CAN BE MODIFIED TO SUIT YOUR LIGHTING AND ARCHITECTURAL REQUIREMENTS. CONTACT YOUR LOCAL REPRESENTATIVE FOR MORE DETAILS: <https://tmslighting.com/sales-agents.html>

TMSLIGHTING

GENESIS DOWNLIGHT™ CYLINDER

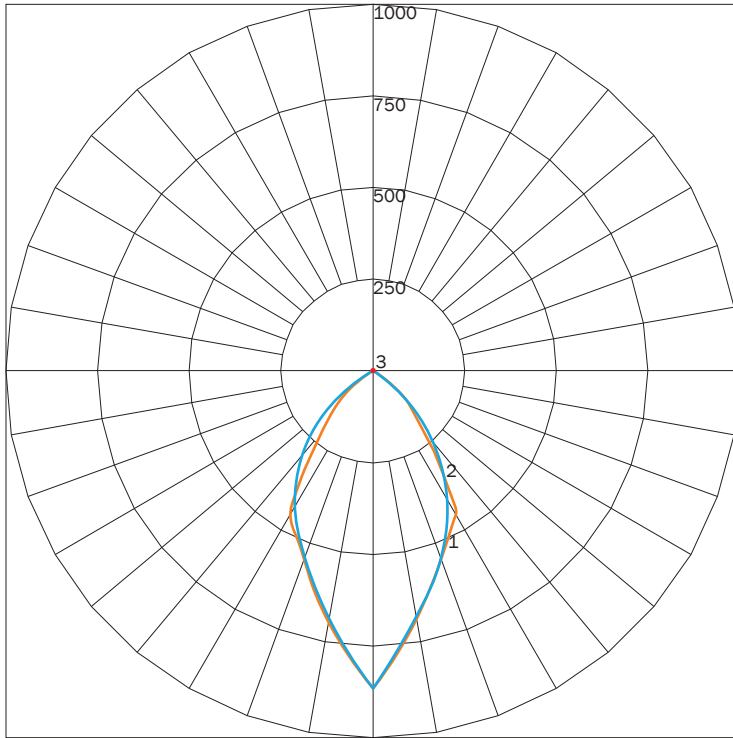
DIRECT

PN	ILLUMINATION	LUMENS	WATTAGE
GE620	10LED	888	10
	15LED	1182	15

IES INDOOR REPORT

PHOTOMETRIC FILENAME : GE620 10LED.IES

POLAR GRAPH



MAXIMUM CANDELA = 865.01 LOCATED AT HORIZONTAL ANGLE = 0, VERTICAL ANGLE = 0
 # 1 - VERTICAL PLANE THROUGH HORIZONTAL ANGLES (90 - 270)
 # 2 - VERTICAL PLANE THROUGH HORIZONTAL ANGLES (0 - 180)
 # 3 - HORIZONTAL CONE THROUGH VERTICAL ANGLE (90)

LUMINAIRE LUMENS

888

TOTAL LUMINAIRE EFFICIENCY

NA

LUMINAIRE EFFICACY RATING

74

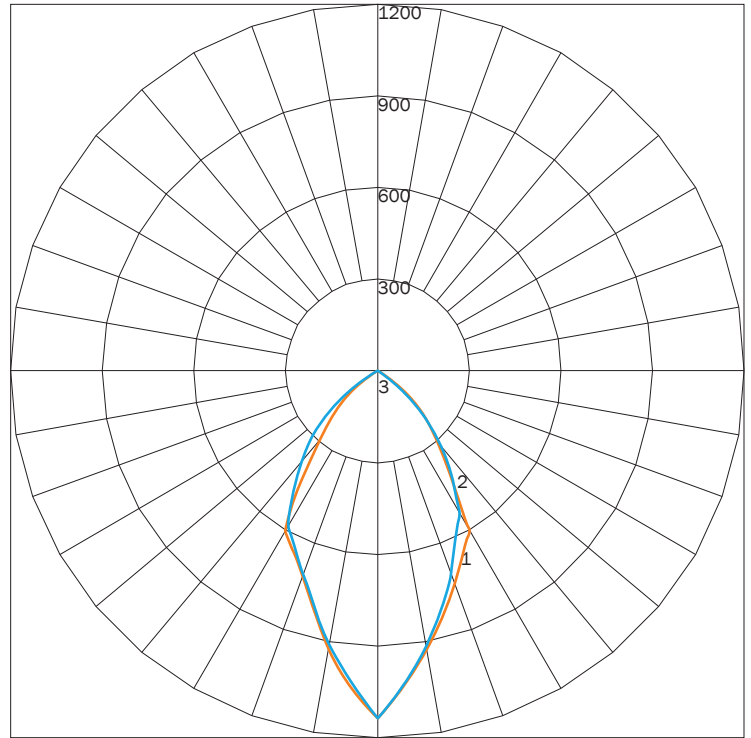
TOTAL LUMINAIRE WATTS

12

IES INDOOR REPORT

PHOTOMETRIC FILENAME : GE620 15LED.IES

POLAR GRAPH



MAXIMUM CANDELA = 1135.66 LOCATED AT HORIZONTAL ANGLE = 0, VERTICAL ANGLE = 0
 # 1 - VERTICAL PLANE THROUGH HORIZONTAL ANGLES (90 - 270)
 # 2 - VERTICAL PLANE THROUGH HORIZONTAL ANGLES (0 - 180)
 # 3 - HORIZONTAL CONE THROUGH VERTICAL ANGLE (90)

LUMINAIRE LUMENS

1182

TOTAL LUMINAIRE EFFICIENCY

NA

LUMINAIRE EFFICACY RATING

70

TOTAL LUMINAIRE WATTS

17

GENESIS DOWNLIGHT™ CYLINDER

AVAILABLE FINISHES



F04
GLOSS
WHITE



F05
GLOSS
WHITE



F09
PEWTER



F10
FIRE
RED



F13
FOREST
GREEN



F14
SUNSHINE
YELLOW



F15
MATTE
BLACK



F16
GLOSS
BLACK



F18
SATIN
ALUMINUM



F21
ARCH
BRONZE



F24
MELTED
PLATINUM



F25
MELTED
GOLD



F26
MELTED
COPPER



F31
SILVER
METALLIC



F33
PYRITE
BRONZE



RAL
CUSTOM
COLOR
(RAL #)

NOTE: DISPLAYED FINISHES DIFFER BETWEEN SCREENS AS WELL AS PRINTERS AND MAY NOT ACCURATELY DEPICT COLOR.