

GENESIS BI-DIRECTIONAL™ CYLINDER

PROJECT: _____

TYPE: _____

QUANTITY: _____



PN: GE625

APPLICATION	<ul style="list-style-type: none">• WALL MOUNT• INDOOR OR OUTDOOR RATED
DIMENSION	<ul style="list-style-type: none">• 4.25" DIA (10.8CM)
ILLUMINATION	<ul style="list-style-type: none">• INDIRECT/DIRECT• LED 90CRI• 1,714 - 2,280 LUMENS
ELECTRICAL	<ul style="list-style-type: none">• 120 - 277V (347V CONSULT FACTORY)• 10kA SURGE SUPPRESSION STANDARD
DIFFUSERS	<ul style="list-style-type: none">• HIGH EFFICIENCY ACRYLIC
MOUNTING	<ul style="list-style-type: none">• WALL, MOUNTED OVER A 4"(10CM) J-BOX
CONSTRUCTION	<ul style="list-style-type: none">• ALUMINUM
FINISHES	<ul style="list-style-type: none">• AVAILABLE IN SEVERAL TMS POWDER COATED FINISHES• CUSTOM RAL FINISHES AVAILABLE
DIMMING	<ul style="list-style-type: none">• 0 - 10V STANDARD DIMMING
WEIGHT	<ul style="list-style-type: none">• 6.5 LBS MAXIMUM



INDIRECT/
DIRECT

TMSLIGHTING



GENESIS BI-DIRECTIONAL™ CYLINDER



PROJECT: _____

TYPE: _____

QUANTITY: _____

GE625

1 2 3 4 5 6 7

1.	ILLUMINATION													
	10LED2					15LED2								
LED (W)	20W					30W								
LUMENS	1714					2280								
2.	30K			35K			40K							
	LED CCT			3000K			3500K			4000K				
3.	120					277								
	VOLTAGE					120V					277V			
4.	F04	F05	F09	F10	F13	F14	F15	F16	F18	F21				
	MATTE WHITE	GLOSS WHITE	PEWTER	FIRE RED	FOREST GREEN	SUNSHINE YELLOW	MATTE BLACK	GLOSS BLACK	SATIN ALUMINUM	ARCH BRONZE				
	F24	F25	F26	F31	F33	RAL								
FINISH	MELTED PLATINUM	MELTED GOLD	MELTED COPPER	SILVER METALLIC	PYRITE BRONZE	CUSTOM (SPECIFY)								
5.	AN	BR	F04	F05	F09	F10	F13	F14	F15	F16				
	ANODIZED	BRUSHED ALUMINUM	MATTE WHITE	GLOSS WHITE	PEWTER	FIRE RED	FOREST GREEN	SUNSHINE YELLOW	MATTE BLACK	GLOSS BLACK				
	F18	F21	F24	F25	F26	F31	F33	RAL						
ACCENT FINISH	SATIN ALUMINUM	ARCH BRONZE	MELTED PLATINUM	MELTED GOLD	MELTED COPPER	SILVER METALLIC	PYRITE BRONZE	CUSTOM (SPECIFY)						
6.	---					DIML								
	DIMMING					NONE					LED DIMMING (0 - 10V, CURRENT - SINKING)			
7.	---					EMR			EMCR					
	EMERGENCY ¹					STANDARD, CLEAR LENS			REMOTE			REMOTE COLD PACK		

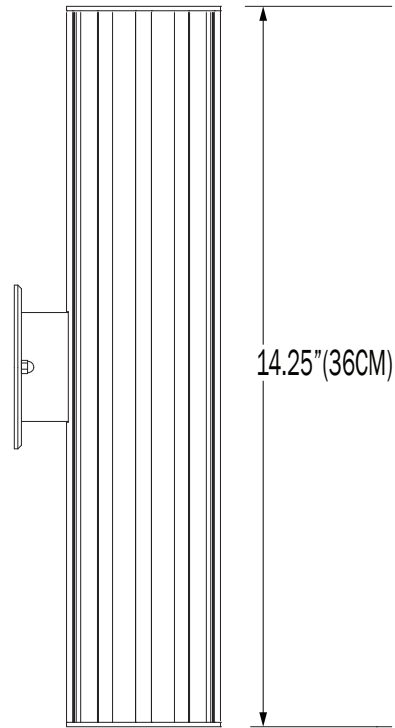
1. 10W AT 90 MINUTES

NOTE: SOME OPTIONS MAY NOT BE COMPATIBLE WITH OTHERS. ALL SPECIFICATIONS ARE SUBJECT TO CHANGE WITHOUT NOTICE. CONTACT TMS LIGHTING FOR UPDATED SPECIFICATIONS.

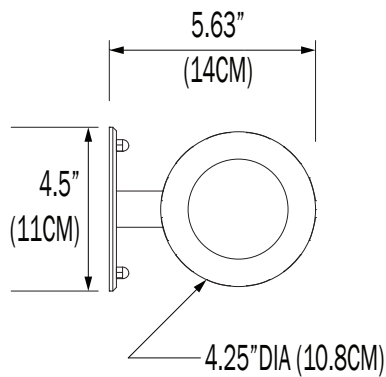
GENESIS BI-DIRECTIONAL™ CYLINDER

CYLINDER

GE625



TOP/BOTTOM



CUSTOM

NOTE: THIS FIXTURE CAN BE CUSTOMIZE. DIMENSION, LAMP TYPES, ENCLOSURE, AND COLOR CAN BE MODIFIED TO SUIT YOUR LIGHTING AND ARCHITECTURAL REQUIREMENTS. CONTACT YOUR LOCAL REPRESENTATIVE FOR MORE DETAILS: <https://tmslighting.com/sales-agents.html>

TMSLIGHTING

GENESIS BI-DIRECTIONAL™ CYLINDER

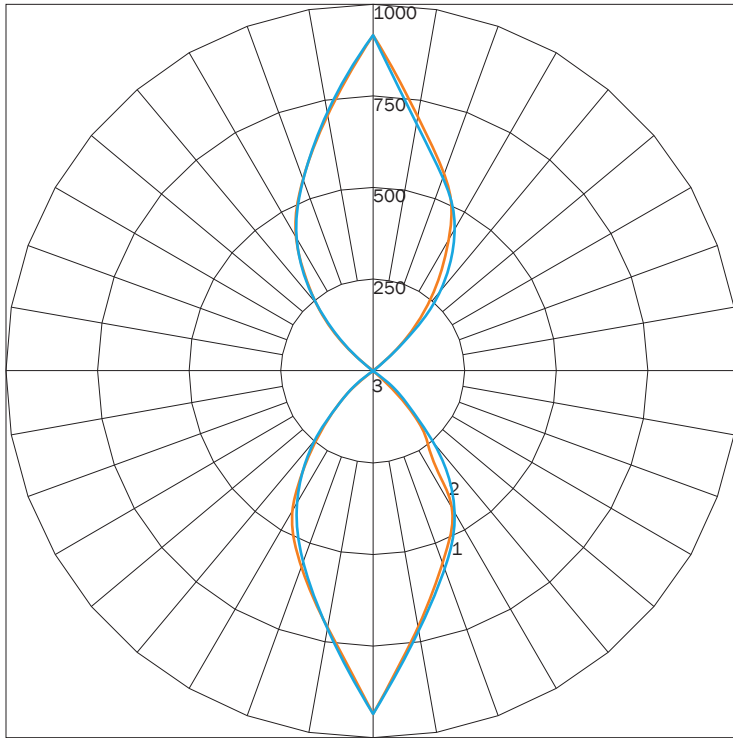
INDIRECT/DIRECT

PN	ILLUMINATION	LUMENS	WATTAGE
GE625	10LED2	1714	20
	15LED2	2280	30

IES INDOOR REPORT

PHOTOMETRIC FILENAME : GE625 10LED2 F05.IES

POLAR GRAPH



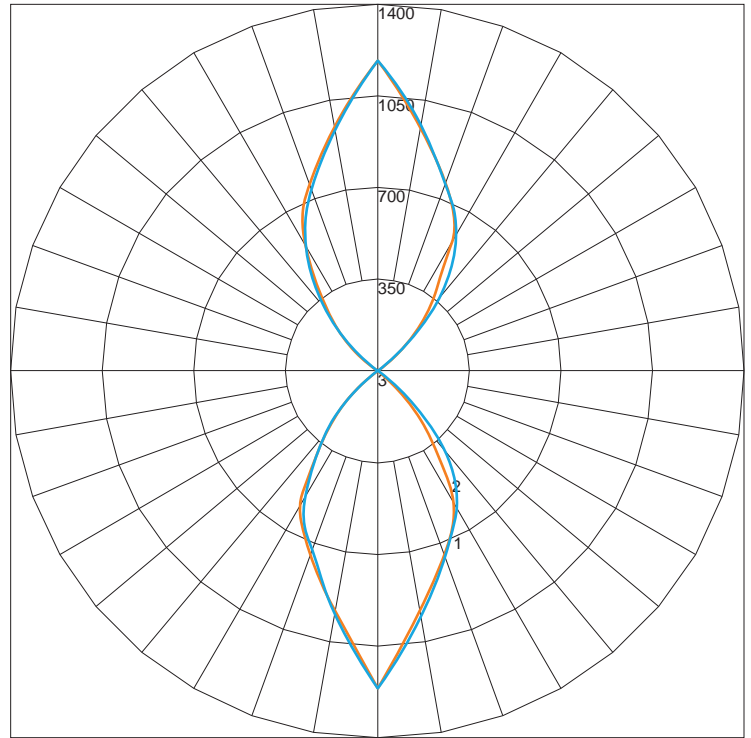
MAXIMUM CANDELA = 934.84 LOCATED AT HORIZONTAL ANGLE = 0, VERTICAL ANGLE = 0
 # 1 - VERTICAL PLANE THROUGH HORIZONTAL ANGLES (90 - 270)
 # 2 - VERTICAL PLANE THROUGH HORIZONTAL ANGLES (0 - 180)
 # 3 - HORIZONTAL CONE THROUGH VERTICAL ANGLE (90)

LUMINAIRE LUMENS 1714
TOTAL LUMINAIRE EFFICIENCY NA
LUMINAIRE EFFICACY RATING 71
TOTAL LUMINAIRE WATTS 24

IES INDOOR REPORT

PHOTOMETRIC FILENAME : GE625 15LED2 F05.IES

POLAR GRAPH



MAXIMUM CANDELA = 1212.41 LOCATED AT HORIZONTAL ANGLE = 0, VERTICAL ANGLE = 0
 # 1 - VERTICAL PLANE THROUGH HORIZONTAL ANGLES (90 - 270)
 # 2 - VERTICAL PLANE THROUGH HORIZONTAL ANGLES (0 - 180)
 # 3 - HORIZONTAL CONE THROUGH VERTICAL ANGLE (90)

LUMINAIRE LUMENS 2280
TOTAL LUMINAIRE EFFICIENCY NA
LUMINAIRE EFFICACY RATING 65
TOTAL LUMINAIRE WATTS 35

GENESIS BI-DIRECTIONAL™ CYLINDER

AVAILABLE FINISHES



F04
MATTE
WHITE



F05
GLOSS
WHITE



F09
PEWTER



F10
FIRE
RED



F13
FOREST
GREEN



F14
SUNSHINE
YELLOW



F15
MATTE
BLACK



F16
GLOSS
BLACK



F18
SATIN
ALUMINUM



F21
ARCH
BRONZE



F24
MELTED
PLATINUM



F25
MELTED
GOLD



F26
MELTED
COPPER



F31
SILVER
METALLIC



F33
PYRITE
BRONZE



RAL
CUSTOM
COLOR
(RAL #)

NOTE: DISPLAYED FINISHES DIFFER BETWEEN SCREENS AS WELL AS PRINTERS AND MAY NOT ACCURATELY DEPICT COLOR.