

PROJECT: _____

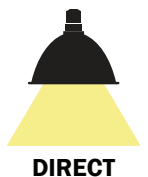
TYPE: _____

QUANTITY: _____



PN: GAV

APPLICATION	<ul style="list-style-type: none"> • PENDANT MOUNT • INDOOR OR OUTDOOR RATED
DIMENSION	<ul style="list-style-type: none"> • 9", 10", 12", 15", 18", 20" (23CM, 25CM, 31CM, 38CM, 46CM, 51CM)
ILLUMINATION	<ul style="list-style-type: none"> • DIRECT • LED 90CRI • 897 - 2,912 LUMENS
ELECTRICAL	<ul style="list-style-type: none"> • 120V, 277V AND 347V • 10KA SURGE SUPPRESSION STANDARD
DIFFUSERS	<ul style="list-style-type: none"> • CLEAR OR FROSTED, ELONGATED GLOBE
MOUNTING	<ul style="list-style-type: none"> • 120" (305CM) BLACK OR WHITE DROP CORD W/ AIRCRAFT CABLE • 1" TO 60" (2.5CM TO 152CM) STEM MOUNT
CONSTRUCTION	<ul style="list-style-type: none"> • ALUMINUM, SOLID COPPER OR STEEL
FINISHES	<ul style="list-style-type: none"> • AVAILABLE IN SEVERAL TMS SPECIALTY, AND POWDER COATED FINISHES • CUSTOM RAL FINISHES AVAILABLE
DIMMING	<ul style="list-style-type: none"> • 0 - 10V STANDARD DIMMING
WEIGHT	<ul style="list-style-type: none"> • 7.65 LBS MAXIMUM



GAVA™ PENDANT



PROJECT: _____
 TYPE: _____
 QUANTITY: _____

GAV

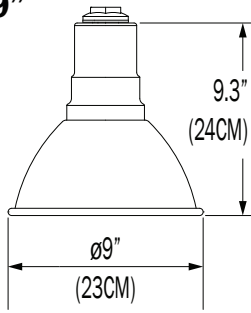
1 2 3 4 5 6 7 8 9 10 11 12 13

1.	I					O						
APPLICATION	INDOOR					OUTDOOR						
2.	9¹	10¹	12²	15²	18³	20³						
DIAMETER	9"DIA. (23CM)	10"DIA. (25CM)	12"DIA. (31CM)	15"DIA. (38CM)	18"DIA. (46CM)	20"DIA. (51CM)						
3.	100IN		200IN		15LED	16LED	19LED	32LED				
ILLUMINATION ⁴	MED BASE (MAX 100W INC)		MED BASE (MAX 100W INC)		15W LED	16W LED PAR38 E26 MED. BASE, 40° 1400 LUMENS (27/30/35/40/50K) REFER TO PAGE 6	19W LED	32W LED				
4.	CRD	C01	C06	C12	C18	C24	C36	C48	C60			
MOUNTING	120"(305CM) DROP CORD	1"(2.5CM) STEM MOUNT	6"(15CM) STEM MOUNT	12"(31CM) STEM MOUNT	18"(46CM) STEM MOUNT	24"(61CM) STEM MOUNT	36"(91CM) STEM MOUNT	48"(122CM) STEM MOUNT	60"(152CM) STEM MOUNT			
5.	---			BC			WC					
CORD	NONE			BLACK DROP CORD			WHITE DROP CORD					
6.	---		30K		35K		40K					
LED CCT	NONE		3000		3500		4000					
7.	120			277			347					
VOLTAGE	120V			277V			347V					
8.	ADDITIONAL AND PREMIUM FINISHES AVAILABLE. SEE FINISHES CHART			F04	F05	F15	F16	F09	F31	F18		
FINISH ⁵						MATTE WHITE	GLOSS WHITE	MATTE BLACK	GLOSS BLACK	PEWTER	SILVER METALLIC	SATIN ALUMINUM
				F06	F07	F08	F10	F11	F13	F14	F21	F22
	CLAY BROWN	ZEUS BROWN	MIDNIGHT BLUE	FIRE RED	CITRUS ORANGE	FOREST GREEN	SUNSHINE YELLOW	ARCH. BRONZE	HARVEST GOLD	MELTED PLATINUM		
9.	---		G1	G2		G9	G11		G12			
GLOBE/LENS	NONE		CLEAR, ELONGATED GLOBE	FROSTED GLOBE		CLEAR, ELONGATED LARGE GLOBE	CLEAR, ELONGATED GLOBE WITH CAST GUARD		CLEAR, ELONGATED LARGE GLOBE WITH CAST GUARD			
10.	---					DIML						
DIMMING	NONE					LED DIMMING (0 - 10V, CURRENT - SINKING)						
11.	---		EM		EMC		EMR		EMCR			
EMERGENCY ⁶	NONE		INTEGRAL		INTEGRAL COLD PACK		REMOTE		REMOTE COLD PACK			
12.	---			BL			ACC					
MOUNTING ⁷ ACCESSORIES	NONE			CEILING SLOPE ADAPTER FOR STEM MOUNT (30°)			AIRCRAFT CABLE FOR DROP CORDS					
13.	---		W10	W12	W15	W18	W20					
WIRE GUARD	NONE		10" (25CM) WIRED GUARD	12" (31CM) WIRED GUARD	15" (38CM) WIRED GUARD	18" (46CM) WIRED GUARD	20" (51CM) WIRED GUARD					

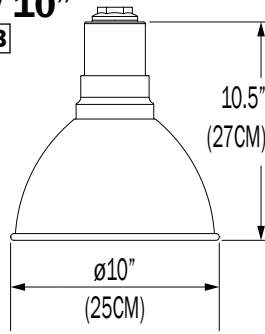
1. SIZES 9" AND 10" ARE NOT AVAILABLE FOR 200IN, 19LED AND 32LED 4. INCANDESCENT AND 16W LED PAR LAMP USES A MEDIUM BASE SOCKET (E26)
 2. SIZES 12" AND 15" ARE NOT AVAILABLE FOR 200IN AND 32LED 5. A CLEAR COAT IS APPLIED TO COPPER. PATINA WILL FORM OVER TIME
 3. SIZES 18" AND 20" ARE NOT AVAILABLE FOR 15LED

NOTE: SOME OPTIONS MAY NOT BE COMPATIBLE WITH OTHERS. ALL SPECIFICATIONS ARE SUBJECT TO CHANGE WITHOUT NOTICE. CONTACT TMS LIGHTING FOR UPDATED SPECIFICATIONS.

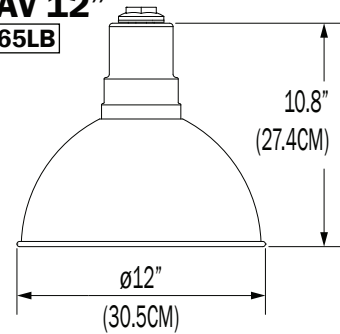
GAV 9"
4.5LB



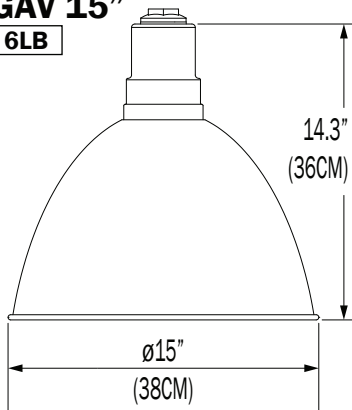
GAV 10"
4.9LB



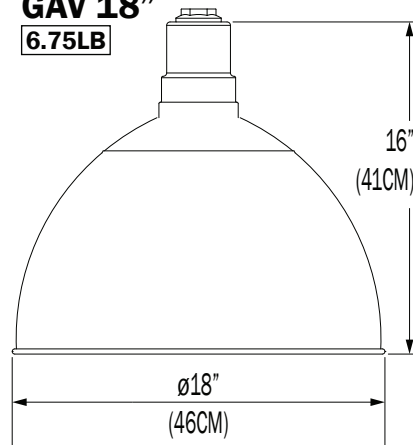
GAV 12"
5.65LB



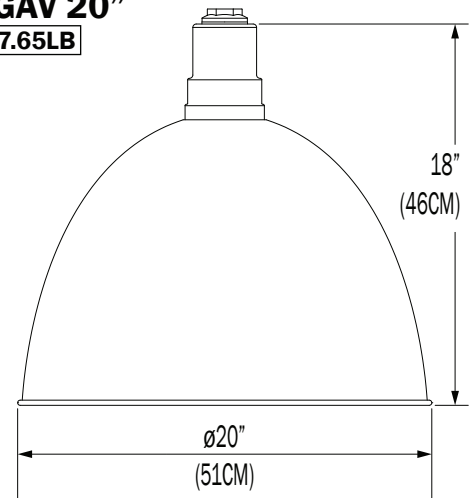
GAV 15"
6LB



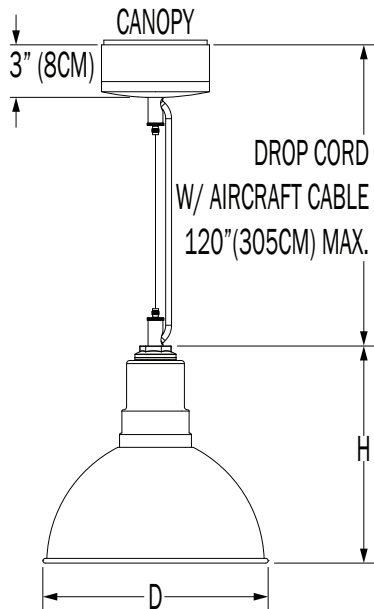
GAV 18"
6.75LB



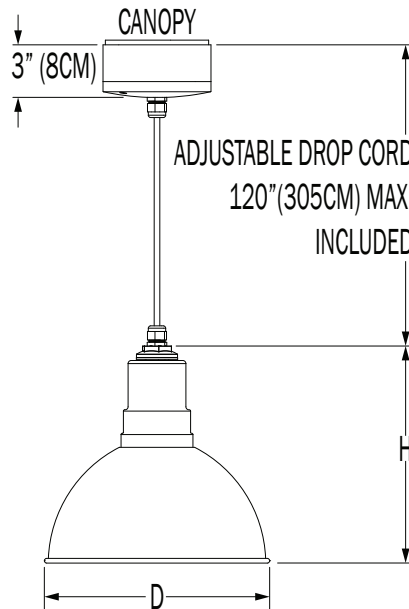
GAV 20"
7.65LB



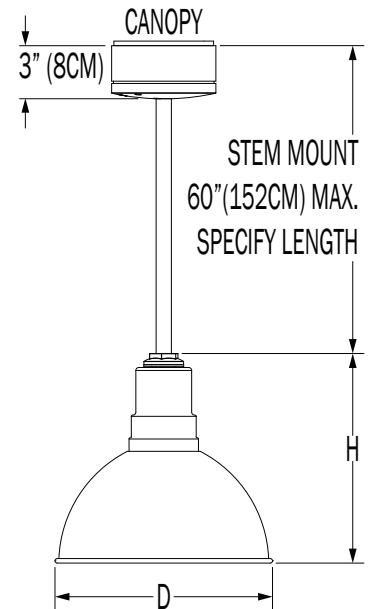
DROP CORD MOUNT W/ AIRCRAFT CABLE



DROP CORD MOUNT



STEM MOUNT



CUSTOM

NOTE: THIS FIXTURE CAN BE CUSTOMIZE. DIMENSION, LAMP TYPES, ENCLOSURE, AND COLOR CAN BE MODIFIED TO SUIT YOUR LIGHTING AND ARCHITECTURAL REQUIREMENTS. CONTACT YOUR LOCAL REPRESENTATIVE FOR MORE DETAILS: <https://tmslighting.com/sales-agents.html>

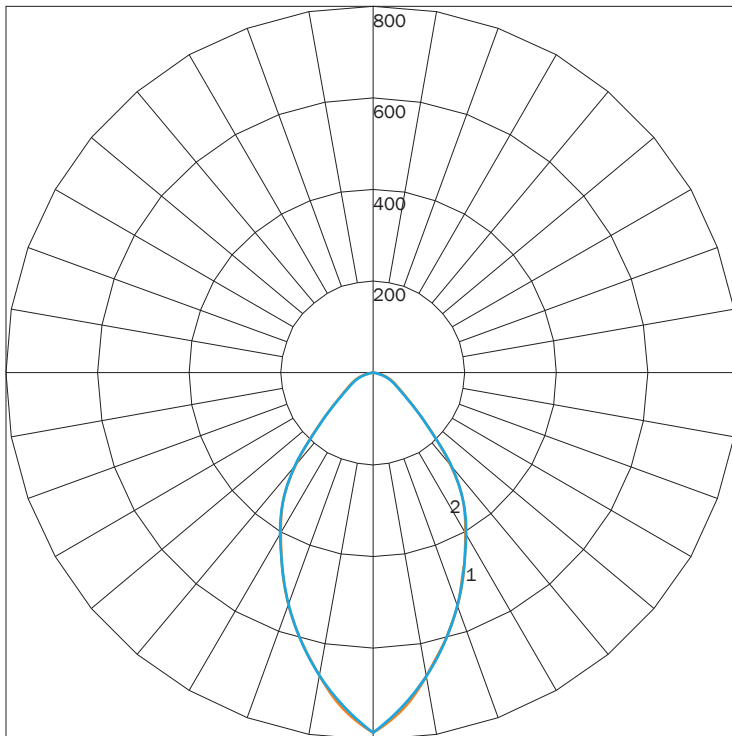
DIRECT

PN	SIZE (DIA)	ILLUMINATION	LUMENS	WATTAGE
GAV	9	100IN	950	100
		15LED	1095	15
	10	100IN	1165	100
		15LED	1087	15
	12	15LED	1092	15
		19LED	1876	19
	15	100IN	1235	100
		15LED	1091	15
		19LED	1862	19
	18	100IN	897	100
		200IN	2534	200
		19LED	1870	19
20	32LED	2912	32	
	200IN	2471	200	
	19LED	1858	19	
		32LED	2906	32

IES INDOOR REPORT

PHOTOMETRIC FILENAME : GAV 9 100INC.IES

POLAR GRAPH



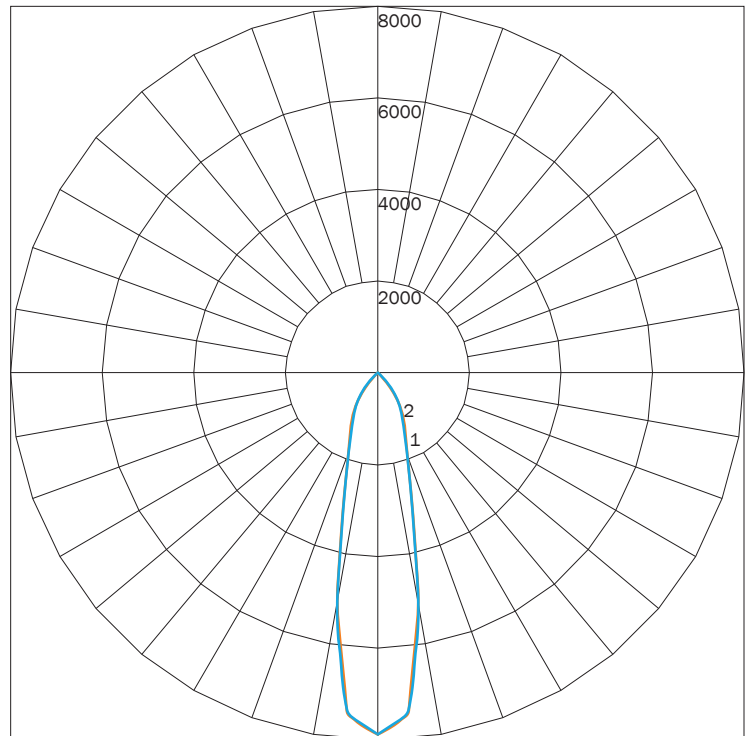
MAXIMUM CANDELA = 784.09 LOCATED AT HORIZONTAL ANGLE = 0, VERTICAL ANGLE = 0
 # 1 - VERTICAL PLANE THROUGH HORIZONTAL ANGLES (90 - 270)
 # 2 - VERTICAL PLANE THROUGH HORIZONTAL ANGLES (0 - 180)

LUMINAIRE LUMENS 950
TOTAL LUMINAIRE EFFICIENCY 56%
LUMINAIRE EFFICACY RATING 10
TOTAL LUMINAIRE WATTS 100

IES INDOOR REPORT

PHOTOMETRIC FILENAME : GAV 20 32LED.IES

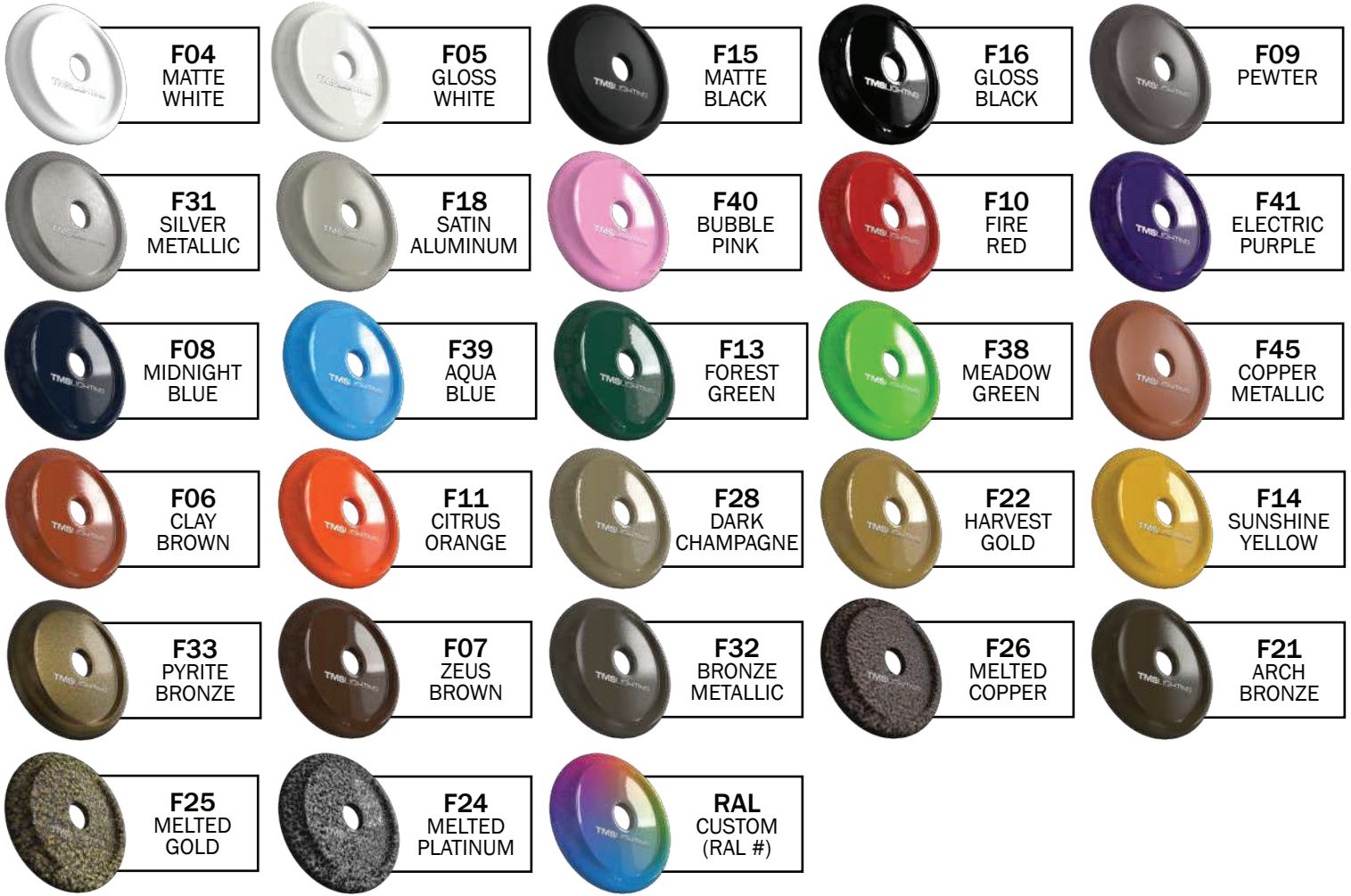
POLAR GRAPH



MAXIMUM CANDELA = 7887.39 LOCATED AT HORIZONTAL ANGLE = 0, VERTICAL ANGLE = 0
 # 1 - VERTICAL PLANE THROUGH HORIZONTAL ANGLES (90 - 270)
 # 2 - VERTICAL PLANE THROUGH HORIZONTAL ANGLES (0 - 180)

LUMINAIRE LUMENS 2906
TOTAL LUMINAIRE EFFICIENCY NA
LUMINAIRE EFFICACY RATING 80
TOTAL LUMINAIRE WATTS 36

FINISHES



PREMIUM FINISHES



PREMIUM MATERIALS



1: FINISHES IS APPLIED TO THE INTERIOR AND EXTERIOR OF THE FIXTURE.

2: MATERIALS ARE CONSISTENT (INTERIOR & EXTERIOR). STEMS AND CANOPIES WILL BE F16 GLOSS BLACK.

NOTE: ALL FINISHES NOT MARKED WITH NOTATION (1) ARE APPLIED TO THE EXTERIOR ONLY. THE INTERIOR WILL BE F05 GLOSS WHITE.

MATTE FINISHES AVAILABLE. CONSULT FACTORY.

FINISHES ARE SUBJECT TO AVAILABILITY AND MAY NOT BE APPLICABLE TO ALL FIXTURES OR FOR QUICKSHIP.

DISPLAYED FINISHES DIFFER BETWEEN SCREENS AS WELL AS PRINTERS AND MAY NOT ACCURATELY DEPICT COLOR.

16W LED PAR 38 MED BASE, 40° (SUPPLIED)

HD-PAR/I90/5CCT



FEATURES & BENEFITS

5 FIELD SELECTABLE CCT'S (27/30/35/40/50K)

HIGH CRI (90+)

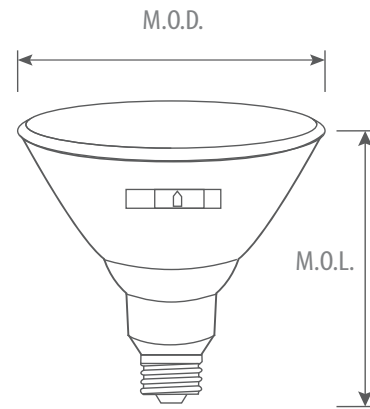
GLASS LENS

25,000 HRS AVERAGE LIFE

WET LOCATION RATED

DIMMABLE

DIMENSIONAL DRAWING



MODEL NUMBER	WATTAGE (W)	BASE	VOLTAGE (V)	HOUR RATING	BEAM ANGLE	INITIAL LUMENS(LM)	CCT(K)	CRI	ENCLOSED FIXTURE APPLICATION	WET LOCATION	M.O.D. (INCH)	M.O.L. (INCH)	CASE QTY.
16W LED	16	E26	120	25,000	40°	1400	27/30/35/40/50	90	NO	YES	4.8	5.31	20

