

PROJECT: \_\_\_\_\_

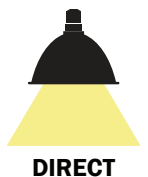
TYPE: \_\_\_\_\_

QUANTITY: \_\_\_\_\_



## PN: GAV

<b>APPLICATION</b>	<ul style="list-style-type: none"> <li>• PENDANT MOUNT</li> <li>• INDOOR OR OUTDOOR RATED</li> </ul>
<b>DIMENSION</b>	<ul style="list-style-type: none"> <li>• 9", 10", 12", 15", 18", 20" (23CM, 25CM, 31CM, 38CM, 46CM, 51CM)</li> </ul>
<b>ILLUMINATION</b>	<ul style="list-style-type: none"> <li>• DIRECT</li> <li>• LED 90CRI</li> <li>• 897 - 2,912 LUMENS</li> </ul>
<b>ELECTRICAL</b>	<ul style="list-style-type: none"> <li>• 120V, 277V AND 347V</li> <li>• 10KA SURGE SUPPRESSION STANDARD</li> </ul>
<b>DIFFUSERS</b>	<ul style="list-style-type: none"> <li>• CLEAR OR FROSTED, ELONGATED GLOBE</li> </ul>
<b>MOUNTING</b>	<ul style="list-style-type: none"> <li>• 120" (305CM) BLACK OR WHITE DROP CORD W/ AIRCRAFT CABLE</li> <li>• 1" TO 60" (2.5CM TO 152CM) STEM MOUNT</li> </ul>
<b>CONSTRUCTION</b>	<ul style="list-style-type: none"> <li>• ALUMINUM, SOLID COPPER OR STEEL</li> </ul>
<b>FINISHES</b>	<ul style="list-style-type: none"> <li>• AVAILABLE IN SEVERAL TMS SPECIALTY, AND POWDER COATED FINISHES</li> <li>• CUSTOM RAL FINISHES AVAILABLE</li> </ul>
<b>DIMMING</b>	<ul style="list-style-type: none"> <li>• 0 - 10V STANDARD DIMMING</li> </ul>
<b>WEIGHT</b>	<ul style="list-style-type: none"> <li>• 7.65 LBS MAXIMUM</li> </ul>



# GAVA™ PENDANT



PROJECT: \_\_\_\_\_  
 TYPE: \_\_\_\_\_  
 QUANTITY: \_\_\_\_\_

## GAV

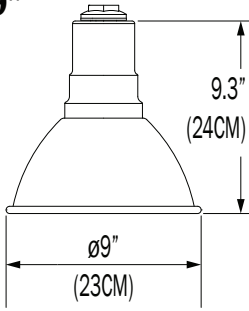
1 2 3 4 5 6 7 8 9 10 11 12 13

<b>1.</b>	<b>I</b>					<b>O</b>							
APPLICATION	INDOOR					OUTDOOR							
<b>2.</b>	<b>9<sup>1</sup></b>	<b>10<sup>1</sup></b>	<b>12<sup>2</sup></b>	<b>15<sup>2</sup></b>	<b>18<sup>3</sup></b>	<b>20<sup>3</sup></b>							
DIAMETER	9"DIA. (23CM)	10"DIA. (25CM)	12"DIA. (31CM)	15"DIA. (38CM)	18"DIA. (46CM)	20"DIA. (51CM)							
<b>3.</b>	<b>100IN</b>		<b>200IN</b>		<b>15LED</b>		<b>17LED</b>		<b>19LED</b>		<b>32LED</b>		
ILLUMINATION <sup>4</sup>	MED BASE (MAX 100W INC)		MED BASE (MAX 100W INC)		15W LED		17W LED PAR38 E26 MED. BASE, 4000K, 60°		19W LED		32W LED		
<b>4.</b>	<b>CRD</b>	<b>C01</b>	<b>C06</b>	<b>C12</b>	<b>C18</b>	<b>C24</b>	<b>C36</b>	<b>C48</b>	<b>C60</b>				
MOUNTING	120"(305CM) DROP CORD	1"(2.5CM) STEM MOUNT	6"(15CM) STEM MOUNT	12"(31CM) STEM MOUNT	18"(46CM) STEM MOUNT	24"(61CM) STEM MOUNT	36"(91CM) STEM MOUNT	48"(122CM) STEM MOUNT	60"(152CM) STEM MOUNT				
<b>5.</b>	---			<b>BC</b>				<b>WC</b>					
CORD	NONE			BLACK DROP CORD				WHITE DROP CORD					
<b>6.</b>	---			<b>30K</b>		<b>35K</b>		<b>40K</b>					
LED CCT	NONE			3000		3500		4000					
<b>7.</b>	<b>120</b>			<b>277</b>			<b>347</b>						
VOLTAGE	120V			277V			347V						
<b>8.</b>	<b>ADDITIONAL AND PREMIUM FINISHES            AVAILABLE. SEE FINISHES CHART</b>			<b>F04</b>	<b>F05</b>	<b>F15</b>	<b>F16</b>	<b>F09</b>	<b>F31</b>	<b>F18</b>			
FINISH <sup>5</sup>						MATTE WHITE	GLOSS WHITE	MATTE BLACK	GLOSS BLACK	PEWTER	SILVER METALLIC	SATIN ALUMINUM	
				<b>F06</b>	<b>F07</b>	<b>F08</b>	<b>F10</b>	<b>F11</b>	<b>F13</b>	<b>F14</b>	<b>F21</b>	<b>F22</b>	<b>F23</b>
	CLAY BROWN	ZEUS BROWN	MIDNIGHT BLUE	FIRE RED	CITRUS ORANGE	FOREST GREEN	SUNSHINE YELLOW	ARCH. BRONZE	HARVEST GOLD	MELTED PLATINUM			
<b>9.</b>	---		<b>G1</b>	<b>G2</b>		<b>G9</b>	<b>G11</b>		<b>G12</b>				
GLOBE/ LENS	NONE		CLEAR, ELONGATED GLOBE	FROSTED GLOBE		CLEAR, ELONGATED LARGE GLOBE	CLEAR, ELONGATED GLOBE WITH CAST GUARD		CLEAR, ELONGATED LARGE GLOBE WITH CAST GUARD				
<b>10.</b>	---					<b>DIML</b>							
DIMMING	NONE					LED DIMMING (0 - 10V, CURRENT - SINKING)							
<b>11.</b>	---		<b>EM</b>		<b>EMC</b>		<b>EMR</b>		<b>EMCR</b>				
EMERGENCY <sup>6</sup>	NONE		INTEGRAL		INTEGRAL COLD PACK		REMOTE		REMOTE COLD PACK				
<b>12.</b>	---			<b>BL</b>			<b>ACC</b>						
MOUNTING <sup>7</sup> ACCESSORIES	NONE			CEILING SLOPE ADAPTER FOR STEM MOUNT (30°)			AIRCRAFT CABLE FOR DROP CORDS						
<b>13.</b>	---		<b>W10</b>		<b>W12</b>		<b>W15</b>		<b>W18</b>		<b>W20</b>		
WIRE GUARD	NONE		10" (25CM) WIRED GUARD		12" (31CM) WIRED GUARD		15" (38CM) WIRED GUARD		18" (46CM) WIRED GUARD		20" (51CM) WIRED GUARD		

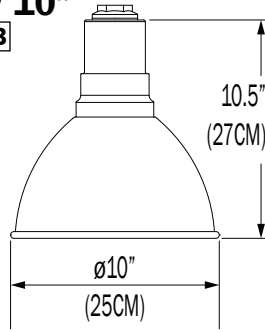
1. SIZES 9" AND 10" ARE NOT AVAILABLE FOR 200IN, 19LED AND 32LED 4. INCANDESCENT AND 17W LED PAR LAMP USES A MEDIUM BASE SOCKET (E26) 7. REQUIRED TO COMPLY WITH LOCAL SEISMIC/EARTHQUAKE CODE  
 2. SIZES 12" AND 15" ARE NOT AVAILABLE FOR 200IN AND 32LED 5. A CLEAR COAT IS APPLIED TO COPPER. PATINA WILL FORM OVER TIME  
 3. SIZES 18" AND 20" ARE NOT AVAILABLE FOR 15LED 6. 10W AT 90 MINUTES. EMERGENCY OPTION IS ONLY AVAILABLE IN 120 - 277V SYSTEMS. NOT AVAILABLE WITH 17LED PAR 38 LAMP

NOTE: SOME OPTIONS MAY NOT BE COMPATIBLE WITH OTHERS. ALL SPECIFICATIONS ARE SUBJECT TO CHANGE WITHOUT NOTICE. CONTACT TMS LIGHTING FOR UPDATED SPECIFICATIONS.

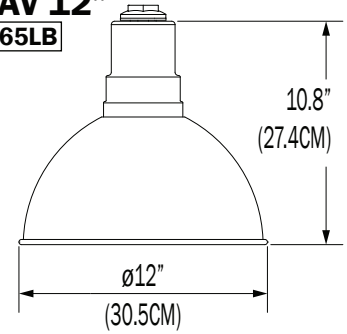
**GAV 9"**  
4.5LB



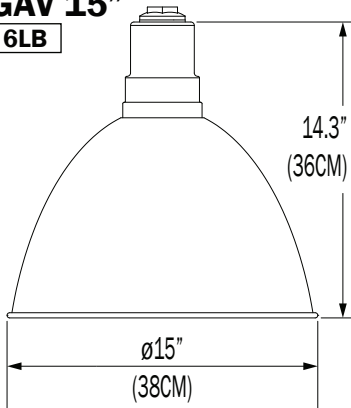
**GAV 10"**  
4.9LB



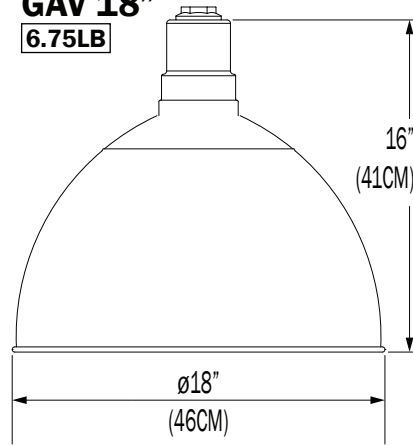
**GAV 12"**  
5.65LB



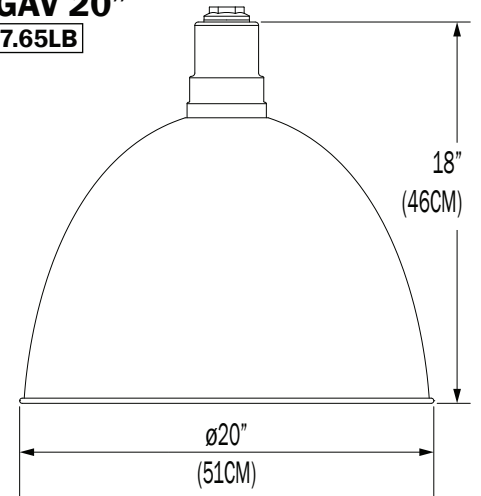
**GAV 15"**  
6LB



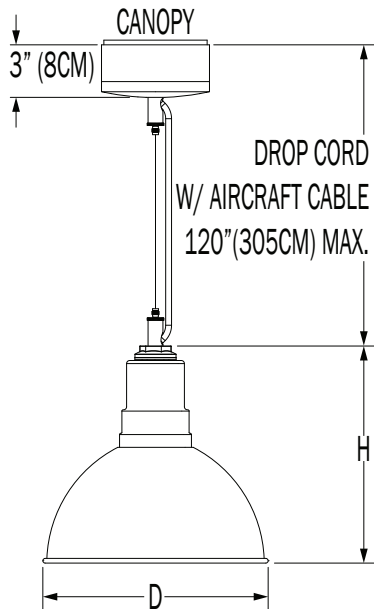
**GAV 18"**  
6.75LB



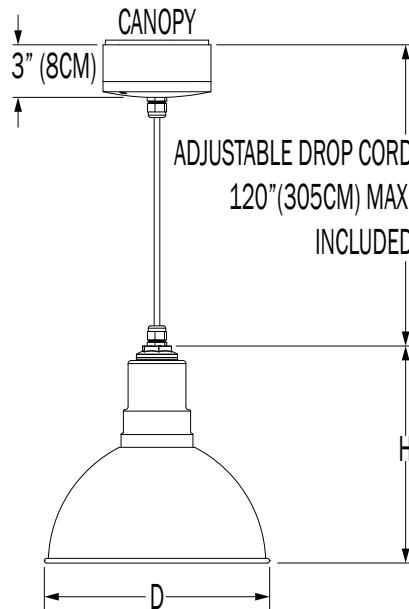
**GAV 20"**  
7.65LB



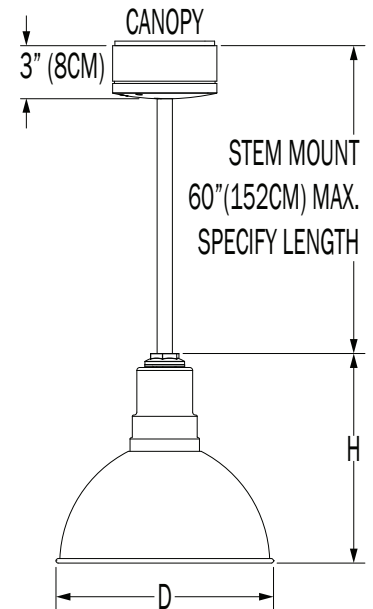
## DROP CORD MOUNT W/ AIRCRAFT CABLE



## DROP CORD MOUNT



## STEM MOUNT



### CUSTOM

NOTE: THIS FIXTURE CAN BE CUSTOMIZE. DIMENSION, LAMP TYPES, ENCLOSURE, AND COLOR CAN BE MODIFIED TO SUIT YOUR LIGHTING AND ARCHITECTURAL REQUIREMENTS. CONTACT YOUR LOCAL REPRESENTATIVE FOR MORE DETAILS: <https://tmslighting.com/sales-agents.html>

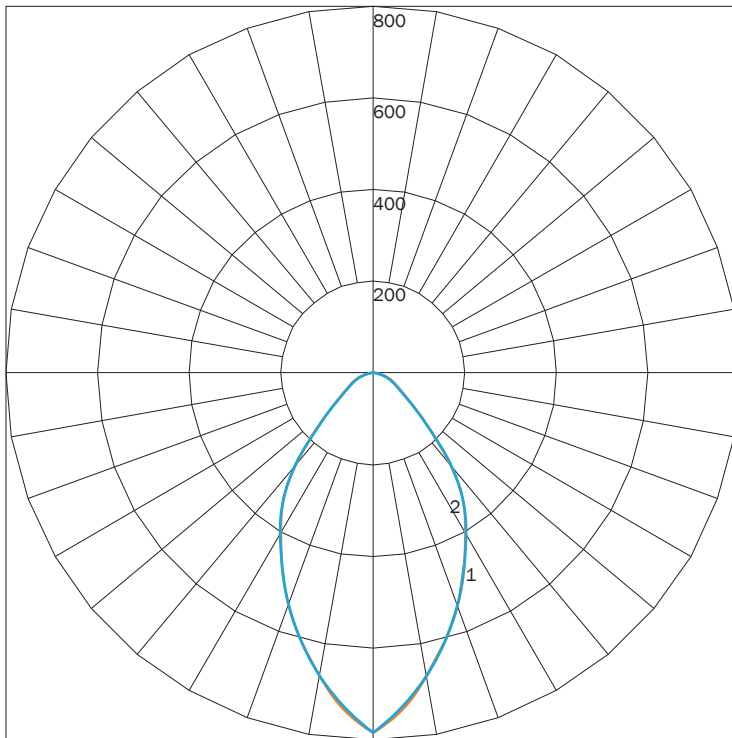
## DIRECT

PN	SIZE (DIA)	ILLUMINATION	LUMENS	WATTAGE
GAV	9	100IN	950	100
		15LED	1095	15
	10	100IN	1165	100
		15LED	1087	15
	12	15LED	1092	15
		19LED	1876	19
	15	100IN	1235	100
		15LED	1091	15
		19LED	1862	19
	18	100IN	897	100
		200IN	2534	200
		19LED	1870	19
20	32LED	2912	32	
	200IN	2471	200	
	19LED	1858	19	
		32LED	2906	32

### IES INDOOR REPORT

PHOTOMETRIC FILENAME : GAV 9 100INC.IES

### POLAR GRAPH



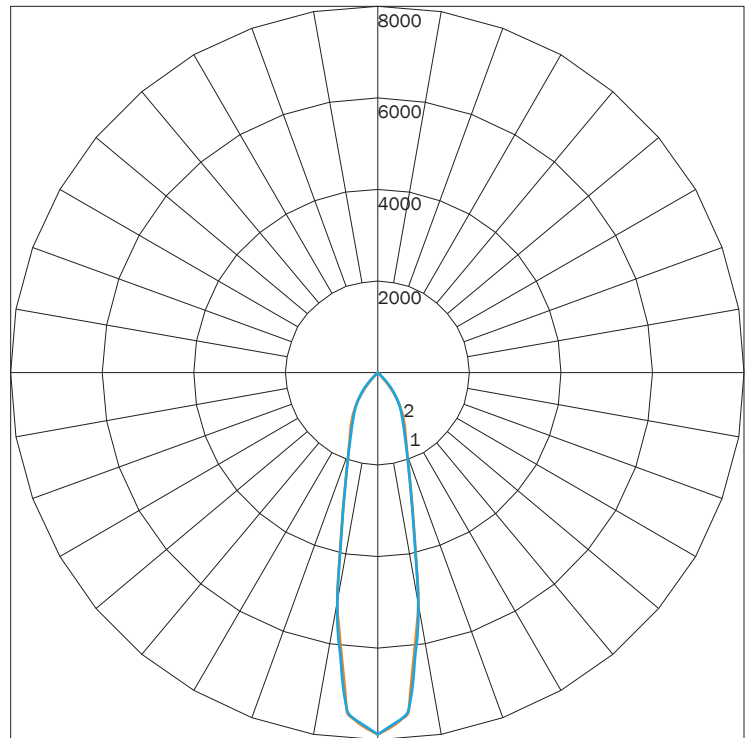
MAXIMUM CANDELA = 784.09 LOCATED AT HORIZONTAL ANGLE = 0, VERTICAL ANGLE = 0  
 # 1 - VERTICAL PLANE THROUGH HORIZONTAL ANGLES (90 - 270)  
 # 2 - VERTICAL PLANE THROUGH HORIZONTAL ANGLES (0 - 180)

<b>LUMINAIRE LUMENS</b>	950
<b>TOTAL LUMINAIRE EFFICIENCY</b>	56%
<b>LUMINAIRE EFFICACY RATING</b>	10
<b>TOTAL LUMINAIRE WATTS</b>	100

### IES INDOOR REPORT

PHOTOMETRIC FILENAME : GAV 20 32LED.IES

### POLAR GRAPH



MAXIMUM CANDELA = 7887.39 LOCATED AT HORIZONTAL ANGLE = 0, VERTICAL ANGLE = 0  
 # 1 - VERTICAL PLANE THROUGH HORIZONTAL ANGLES (90 - 270)  
 # 2 - VERTICAL PLANE THROUGH HORIZONTAL ANGLES (0 - 180)

<b>LUMINAIRE LUMENS</b>	2906
<b>TOTAL LUMINAIRE EFFICIENCY</b>	NA
<b>LUMINAIRE EFFICACY RATING</b>	80
<b>TOTAL LUMINAIRE WATTS</b>	36

## FINISHES



## PREMIUM FINISHES



## PREMIUM MATERIALS



1: FINISHES IS APPLIED TO THE INTERIOR AND EXTERIOR OF THE FIXTURE.

2: MATERIALS ARE CONSISTENT (INTERIOR & EXTERIOR). STEMS AND CANOPIES WILL BE F16 GLOSS BLACK.

NOTE: ALL FINISHES NOT MARKED WITH NOTATION (1) ARE APPLIED TO THE EXTERIOR ONLY. THE INTERIOR WILL BE F05 GLOSS WHITE. MATTE FINISHES AVAILABLE. CONSULT FACTORY.

FINISHES ARE SUBJECT TO AVAILABILITY AND MAY NOT BE APPLICABLE TO ALL FIXTURES OR FOR QUICKSHIP.

DISPLAYED FINISHES DIFFER BETWEEN SCREENS AS WELL AS PRINTERS AND MAY NOT ACCURATELY DEPICT COLOR.