

Job: _____

Type: _____

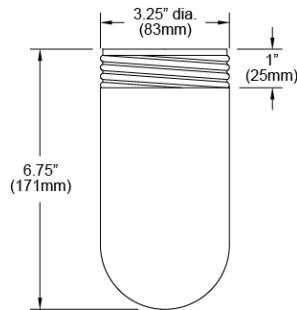
Quantity: _____

Glass Globes: G1, G3, G9, G10

G1 Standard Size Globe



- clear glass
- elongated shape
- 6.75" h x 3.25" dia.
- max. 15W LED, 32W CF, 100W MH, 150W INC



LISTED
UL1598

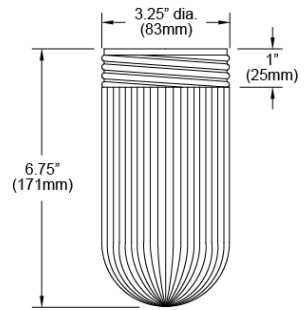


Certified
CSA C22.2 No. 250.0

G3 Standard Size Globe



- prismatic glass
- elongated shape
- 6.75" h x 3.25" dia.
- max. 15W LED, 32W CF, 100W MH, 150W INC



LISTED
UL1598

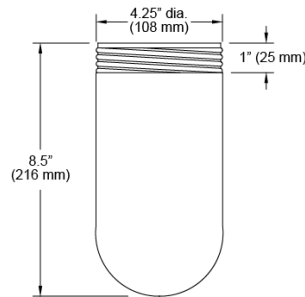


Certified
CSA C22.2 No. 250.0

G9 Oversized Globe



- clear glass
- elongated shape
- 8.5" h x 4.25" dia.
- max. 19W LED, 57W CF, 175W MH, 200W INC



LISTED
UL1598

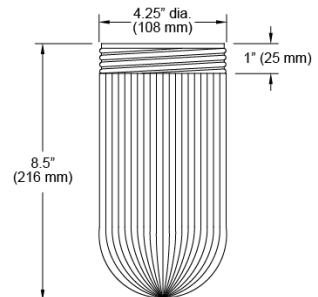


Certified
CSA C22.2 No. 250.0

G10 Oversized Globe



- prismatic glass
- elongated shape
- 8.5" h x 4.25" dia.
- max. 19W LED, 57W CF, 175W MH, 200W INC



LISTED
UL1598



Certified
CSA C22.2 No. 250.0