

FORTICE™ PENDANT

PROJECT: _____

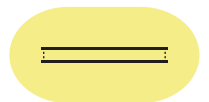
TYPE: _____

QUANTITY: _____



PN: 6465

APPLICATION	<ul style="list-style-type: none">• PENDANT MOUNT• INDOOR
DIMENSION	<ul style="list-style-type: none">• 24", 36", 48", 60", AND 72" (61CM, 91CM, 122CM, 152CM, 183CM)• PROFILE: 4.31"W X 2.75"H (11CM X 7CM)
ILLUMINATION	<ul style="list-style-type: none">• DIFFUSE• LED 90CRI• 7,561 - 29,929 LUMENS
DRIVER	<ul style="list-style-type: none">• 120 - 277V (347V CONSULT FACTORY)• 10KA SURGE SUPPRESSION STANDARD
DIFFUSERS	<ul style="list-style-type: none">• HIGH EFFICIENCY ACRYLIC
MOUNTING	<ul style="list-style-type: none">• 96" (244CM) BLACK OR WHITE DROP CORD W/ AIRCRAFT CABLES
CONSTRUCTION	<ul style="list-style-type: none">• ALUMINUM
FINISHES	<ul style="list-style-type: none">• AVAILABLE IN SEVERAL TMS POWDER COATED FINISHES• CUSTOM RAL FINISHES AVAILABLE
DIMMING	<ul style="list-style-type: none">• 0 - 10V STANDARD DIMMING
WEIGHT	<ul style="list-style-type: none">• 45 LBS MAXIMUM



DIFFUSE

FORTICE™ PENDANT



PROJECT: _____

TYPE: _____

QUANTITY: _____

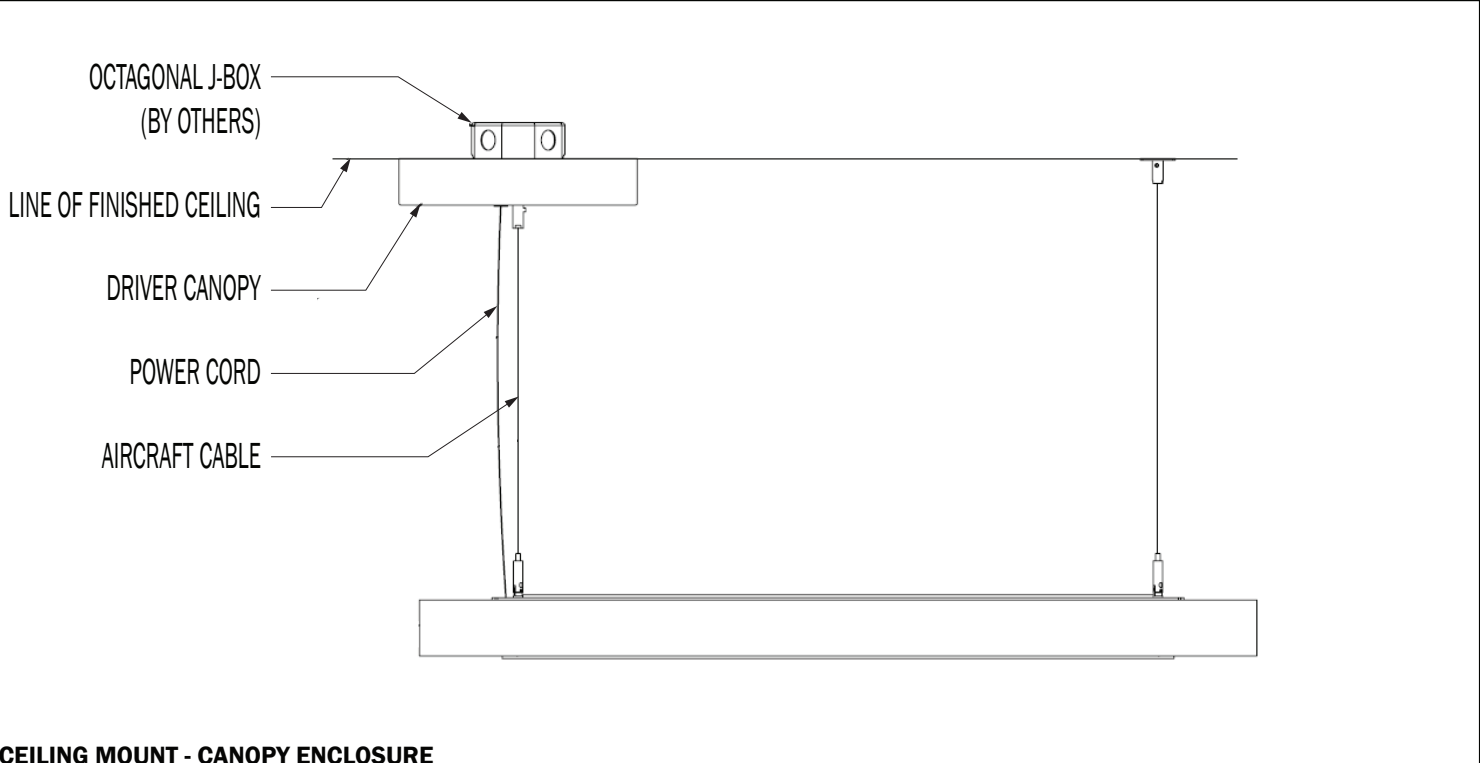
6465

1 2 3 4 5 6 7

1.	24	36	48	60	72					
SIZE	24" (61CM)	36" (91CM)	48" (122CM)	60" (152CM)	72" (183CM)					
LED (W)	76W	132W	189W	252W	303W					
LUMENS	7561	13129	18745	24960	29929					
2.	30K		35K		40K					
LED CCT	3000		3500		4000					
3.	UNI									
VOLTAGE	120 - 277V									
4.	MM					PS				
MOUNTING	MULTIPLE AIRCRAFT CABLES					SINGLE PLATE W/ AIRCRAFT CABLES				
5.	BC					WC				
CORD	BLACK DROP CORD					WHITE DROP CORD				
6.	F04	F05	F09	F15	F16	F18	F21	F31	F33	RAL
FINISH	MATTE WHITE	GLOSS WHITE	PEWTER	MATTE BLACK	GLOSS BLACK	SATIN ALUMINUM	ARCH BRONZE	SILVER METALLIC	PYRITE BRONZE	CUSTOM (SPECIFY)
7.	DIML									
DIMMING	0 - 10V DIMMING (1%)									

1. FORTICE PS MOUNT ONLY AVAILABLE FOR SIZES 24, 36, AND 48

NOTE: SOME OPTIONS MAY NOT BE COMPATIBLE WITH OTHERS. ALL SPECIFICATIONS ARE SUBJECT TO CHANGE WITHOUT NOTICE. CONTACT TMS LIGHTING FOR UPDATED SPECIFICATIONS.

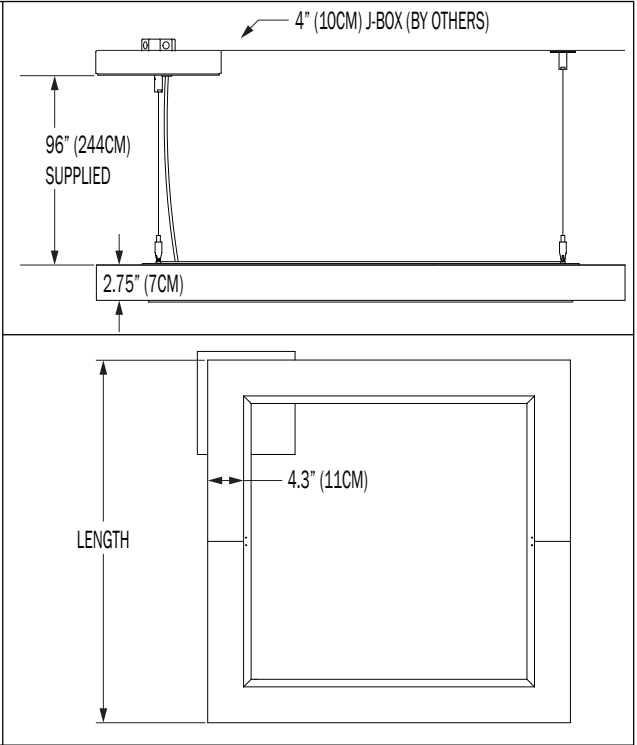
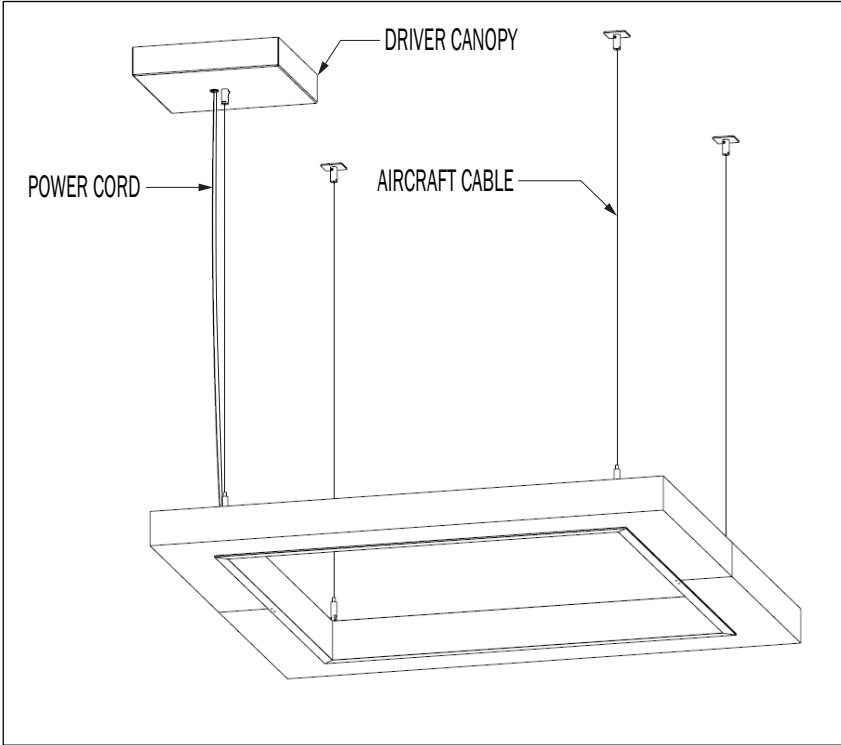


CEILING MOUNT - CANOPY ENCLOSURE

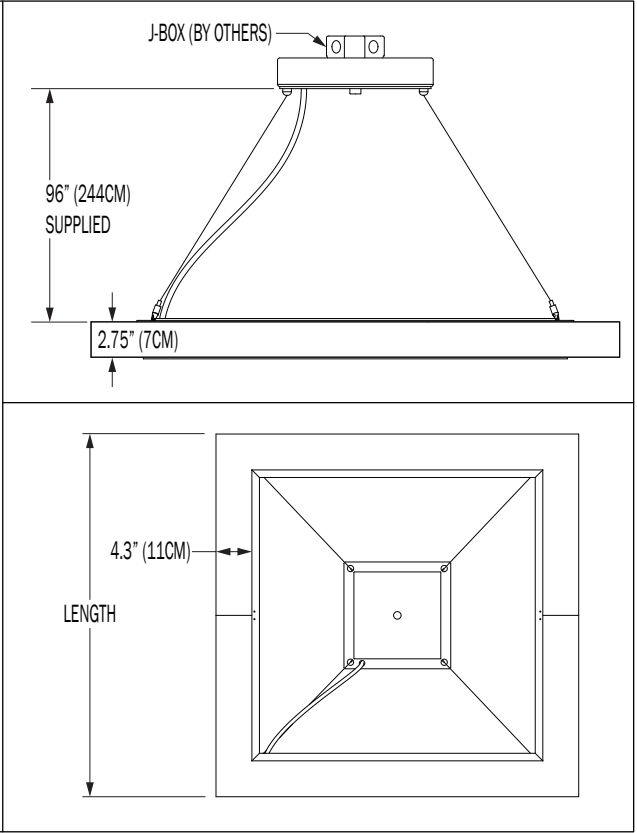
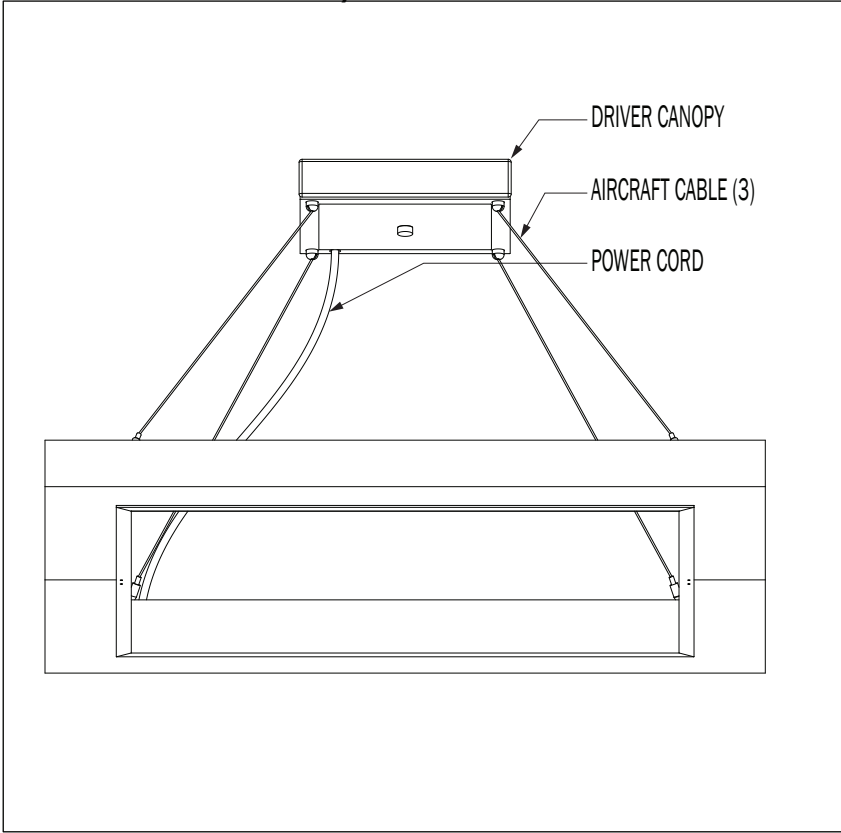
SIZE (INCH)	SECTION	AC CABLES	MOUNTING HEIGHT (SINGLE PLATE)	CANOPY SIZE (SIZE)	WEIGHT (LBS)
24" (61CM)	1	4	23"	12" (30.5CM)	25
36" (91CM)	1	4	49"	12" (30.5CM)	30
48" (122CM)	1	4	76"	12" (30.5CM)	35
60" (152CM)	1	4	NA	12" (30.5CM)	40
72" (183CM)	1	4	NA	14" (36CM)	45

6465

MM - MULTIPLE AIRCRAFT CABLES



PS - SINGLE PLATE W/ AIRCRAFT CABLES



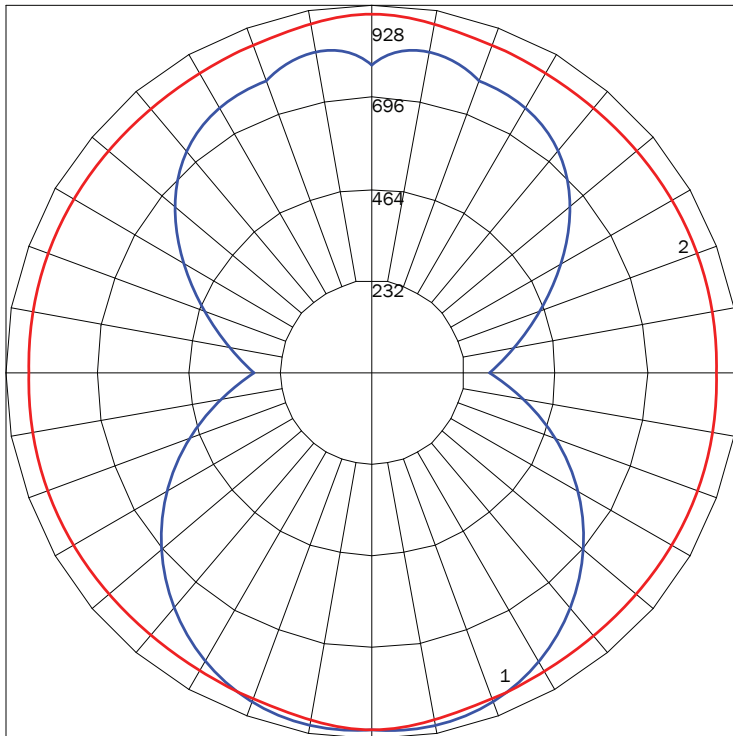
DIFFUSE

PN	SIZE (LENGTH)	LUMENS	WATTAGE
6465	24	7561	76
	36	13129	132
	48	18745	189
	60	24960	252
	72	29929	303

IES INDOOR REPORT

PHOTOMETRIC FILENAME : 6465 24 ID 35K F05.IES

POLAR GRAPH



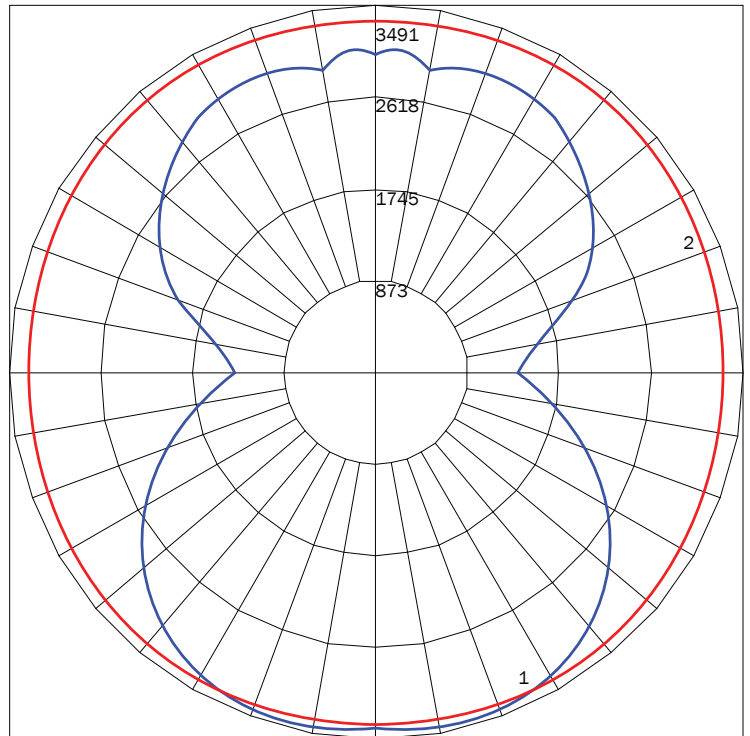
MAXIMUM CANDELA = 927.99 LOCATED AT HORIZONTAL ANGLE = 90, VERTICAL ANGLE = 5
 # 1 - VERTICAL PLANE THROUGH HORIZONTAL ANGLES (90 - 270) (THROUGH MAX. CD.)
 # 2 - HORIZONTAL CONE THROUGH VERTICAL ANGLE (5) (THROUGH MAX. CD.)

LUMINAIRE LUMENS 7561
TOTAL LUMINAIRE EFFICIENCY 80%
LUMINAIRE EFFICACY RATING 100
TOTAL LUMINAIRE WATTS 76

IES INDOOR REPORT

PHOTOMETRIC FILENAME : 6465 72 ID 35K F05.IES

POLAR GRAPH



MAXIMUM CANDELA = 2795.82 LOCATED AT HORIZONTAL ANGLE = 0, VERTICAL ANGLE = 20
 # 1 - VERTICAL PLANE THROUGH HORIZONTAL ANGLES (0 - 180) (THROUGH MAX. CD.)
 # 2 - HORIZONTAL CONE THROUGH VERTICAL ANGLE (20) (THROUGH MAX. CD.)

LUMINAIRE LUMENS 29929
TOTAL LUMINAIRE EFFICIENCY 80%
LUMINAIRE EFFICACY RATING 99
TOTAL LUMINAIRE WATTS 303

AVAILABLE FINISHES



F04
MATTE
WHITE



F05
GLOSS
WHITE



F09
PEWTER



F15
MATTE
BLACK



F16
GLOSS
BLACK



F18
SATIN
ALUMINUM



F21
ARCH
BRONZE



F31
SILVER
METALLIC



F33
PYRITE
BRONZE



RAL
CUSTOM
COLOR
(RAL #)

NOTE: DISPLAYED FINISHES DIFFER BETWEEN SCREENS AS WELL AS PRINTERS AND MAY NOT ACCURATELY DEPICT COLOR.