

FORTE™ PENDANT

PROJECT: _____

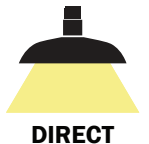
TYPE: _____

QUANTITY: _____



PN: FOR

APPLICATION	<ul style="list-style-type: none">• PENDANT MOUNT• INDOOR OR OUTDOOR RATED
DIMENSION	<ul style="list-style-type: none">• 12", 14" 16" (31CM, 36CM, 41CM)
ILLUMINATION	<ul style="list-style-type: none">• DIRECT• LED 90CRI• 995 - 1,887 LUMENS
ELECTRICAL	<ul style="list-style-type: none">• 120V, 277V AND 347V• 10kA SURGE SUPPRESSION STANDARD
DIFFUSERS	<ul style="list-style-type: none">• CLEAR OR FROSTED, TEMPERED GLASS GLOBE
MOUNTING	<ul style="list-style-type: none">• 120" (305CM) BLACK OR WHITE DROP CORD W/ AIRCRAFT CABLE (OPTIONAL)• 1" TO 60" (2.5CM TO 152CM) STEM MOUNT
CONSTRUCTION	<ul style="list-style-type: none">• ALUMINUM, BRUSHED COPPER OR STEEL
FINISHES	<ul style="list-style-type: none">• AVAILABLE IN SEVERAL TMS SPECIALTY, AND POWDER COATED FINISHES• CUSTOM RAL FINISHES AVAILABLE
DIMMING	<ul style="list-style-type: none">• 0 - 10V STANDARD DIMMING
WEIGHT	<ul style="list-style-type: none">• 4.6 LBS MAXIMUM



FORTE™ PENDANT



PROJECT: _____
 TYPE: _____
 QUANTITY: _____

FOR _____
 1 2 3 4 5 6 7 8 9 10 11 12 13

1.	I					O				
APPLICATION	INDOOR					OUTDOOR				
2.	12			14			16			
DIAMETER	12"DIA. (31CM)			14"DIA. (36CM)			16"DIA. (41CM)			
3.										
ILLUMINATION ¹	100IN	15LED	100IN	15LED	17LED	19LED	100IN	15LED	17LED	19LED
LED (W)	100W	15W	100W	15W	17W	19W	100W	15W	17W	19W
LUMENS	995	1109	1144	1109	---	1887	1342	1108	---	1887
4.	CRD	C01	C06	C12	C18	C24	C36	C48	C60	
MOUNTING	120"(305CM) DROP CORD	1"(2.5CM) STEM MOUNT	6"(15CM) STEM MOUNT	12"(31CM) STEM MOUNT	18"(46CM) STEM MOUNT	24"(61CM) STEM MOUNT	36"(91CM) STEM MOUNT	48"(122CM) STEM MOUNT	60"(152CM) STEM MOUNT	
5.	---			BC			WC			
CORD	NONE			BLACK DROP CORD			WHITE DROP CORD			
6.	---		30K		35K		40K			
LED CCT	NONE		3000		3500		4000			
7.	120			277			347			
VOLTAGE	120V			277V			347V			
8.	ADDITIONAL AND PREMIUM FINISHES AVAILABLE. SEE FINISHES CHART			F04	F05	F15	F16	F09	F31	F18
FINISH ³				MATTE WHITE	GLOSS WHITE	MATTE BLACK	GLOSS BLACK	PEWTER	SILVER METALLIC	SATIN ALUMINUM
9.	---		G1		G2		G11			
GLOBE/ LENS	NONE		CLEAR, ELONGATED GLOBE		FROSTED GLOBE		CLEAR, ELONGATED GLOBE WITH CAST GUARD			
10.	---			DIML						
DIMMING	NONE			LED DIMMING (0 - 10V, CURRENT - SINKING)						
11.	---		EM		EMC		EMR		EMCR	
EMERGENCY ⁴	NONE		INTEGRAL		INTEGRAL COLD PACK		REMOTE		REMOTE COLD PACK	
12.	---		BL			ACC				
MOUNTING ⁵ ACCESSORIES	NONE		CEILING SLOPE ADAPTER FOR STEM MOUNT (30°)			AIRCRAFT CABLE FOR DROP CORDS				
13.	---		W12		W14		W16			
WIRE GUARD	NONE		12" (31CM) WIRED GUARD		14" (36CM) WIRED GUARD		16" (41CM) WIRED GUARD			

1. 12" IS ONLY AVAILABLE FOR 100IN AND 15LED

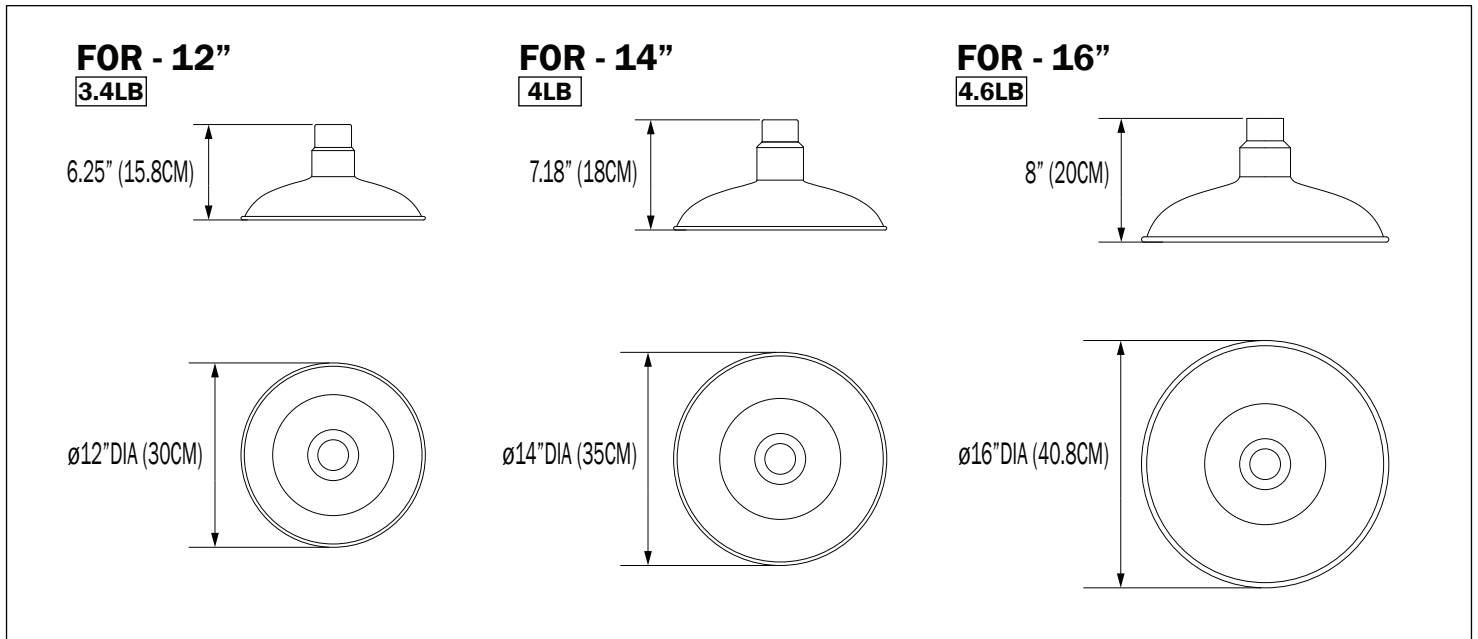
2. GLOBES AND EMERGENCY ARE NOT AVAILABLE WITH THE 17W LED PAR 38 LAMPS

3. A CLEAR COAT IS APPLIED TO COPPER. PATINA WILL FORM OVER TIME

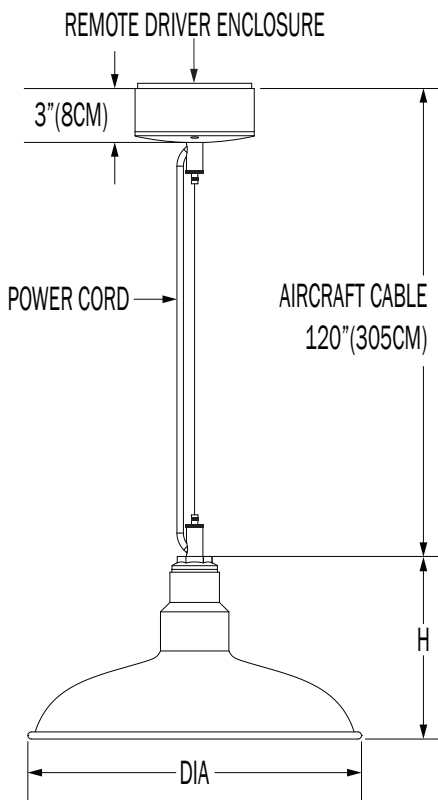
4. 10W AT 90 MINUTES. EMERGENCY OPTION IS ONLY AVAILABLE IN 120 - 277V SYSTEMS

5. MAY REQUIRE TO COMPLY WITH LOCAL SEISMIC/EARTHQUAKE CODE

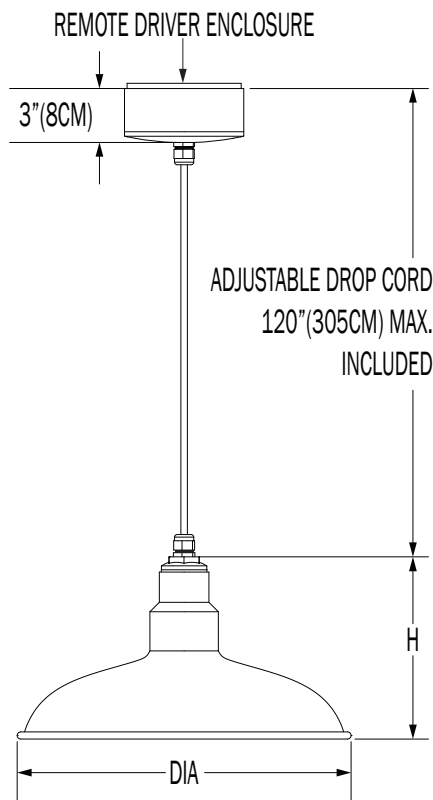
NOTE: SOME OPTIONS MAY NOT BE COMPATIBLE WITH OTHERS. ALL SPECIFICATIONS ARE SUBJECT TO CHANGE WITHOUT NOTICE. CONTACT TMS LIGHTING FOR UPDATED SPECIFICATIONS.



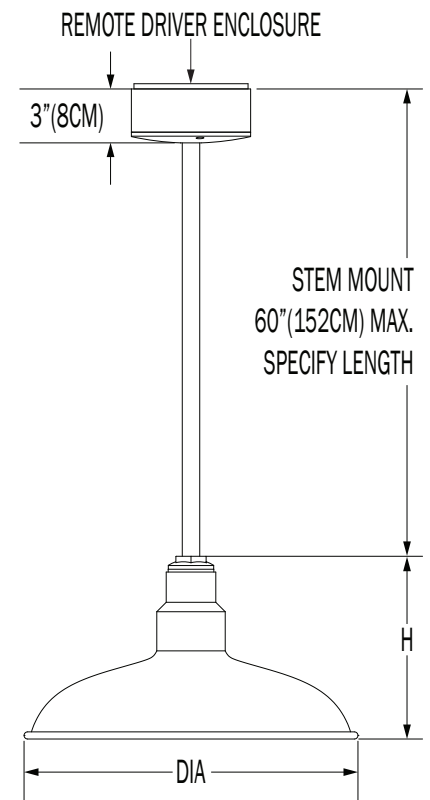
DROP CORD MOUNT W/AIRCRAFT CABLE



DROP CORD MOUNT



STEM MOUNT



CUSTOM

NOTE: THIS FIXTURE CAN BE CUSTOMIZE. DIMENSION, LAMP TYPES, ENCLOSURE, AND COLOR CAN BE MODIFIED TO SUIT YOUR LIGHTING AND ARCHITECTURAL REQUIREMENTS. CONTACT YOUR LOCAL REPRESENTATIVE FOR MORE DETAILS: <https://tmslighting.com/sales-agents.html>

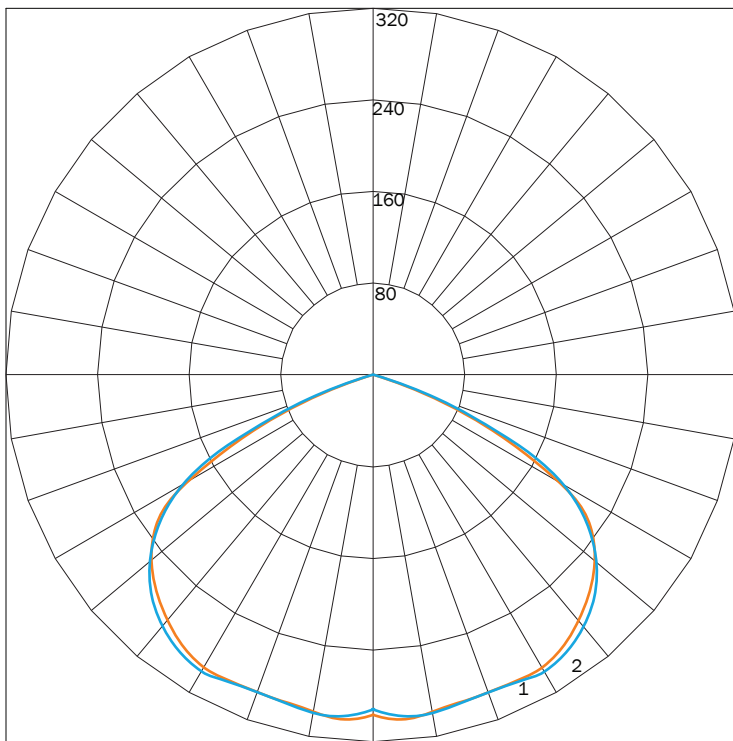
DIRECT

PN	SIZE (DIA)	ILLUMINATION	LUMENS	WATTAGE
FOR	12	100INC	995	100
		15LED	1109	15
	14	100INC	1144	100
		15LED	1109	15
		19LED	1887	19
	16	100INC	1342	100
		15LED	1108	15
		19LED	1887	19

IES INDOOR REPORT

PHOTOMETRIC FILENAME : FOR 12 100IN.IES

POLAR GRAPH



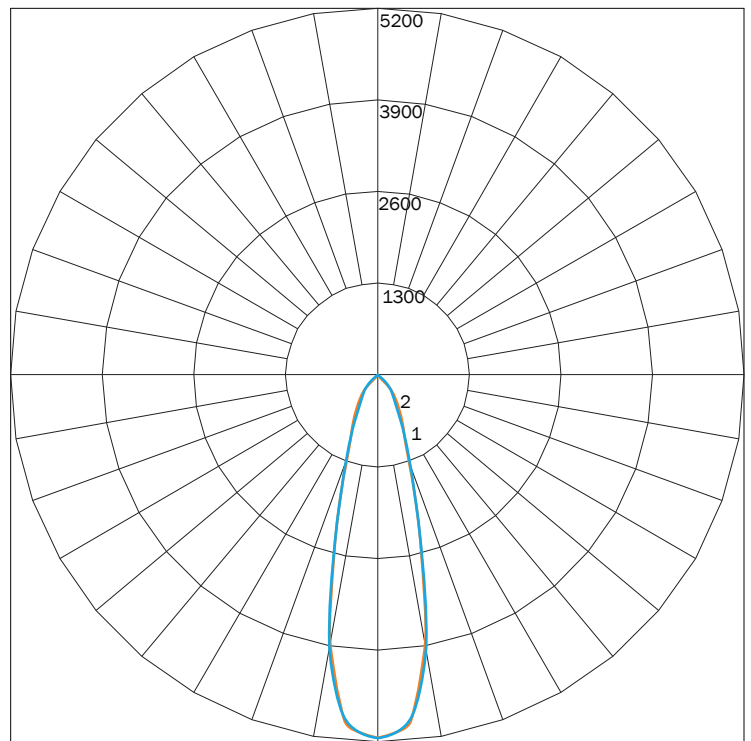
MAXIMUM CANDELA = 309.726 LOCATED AT HORIZONTAL ANGLE = 90, VERTICAL ANGLE = 5
 # 1 - VERTICAL PLANE THROUGH HORIZONTAL ANGLES (90 - 270)
 # 2 - VERTICAL PLANE THROUGH HORIZONTAL ANGLES (0 - 180)

LUMINAIRE LUMENS	995
TOTAL LUMINAIRE EFFICIENCY	58%
LUMINAIRE EFFICACY RATING	10
TOTAL LUMINAIRE WATTS	100

IES INDOOR REPORT

PHOTOMETRIC FILENAME : FOR 16 19LED.IES

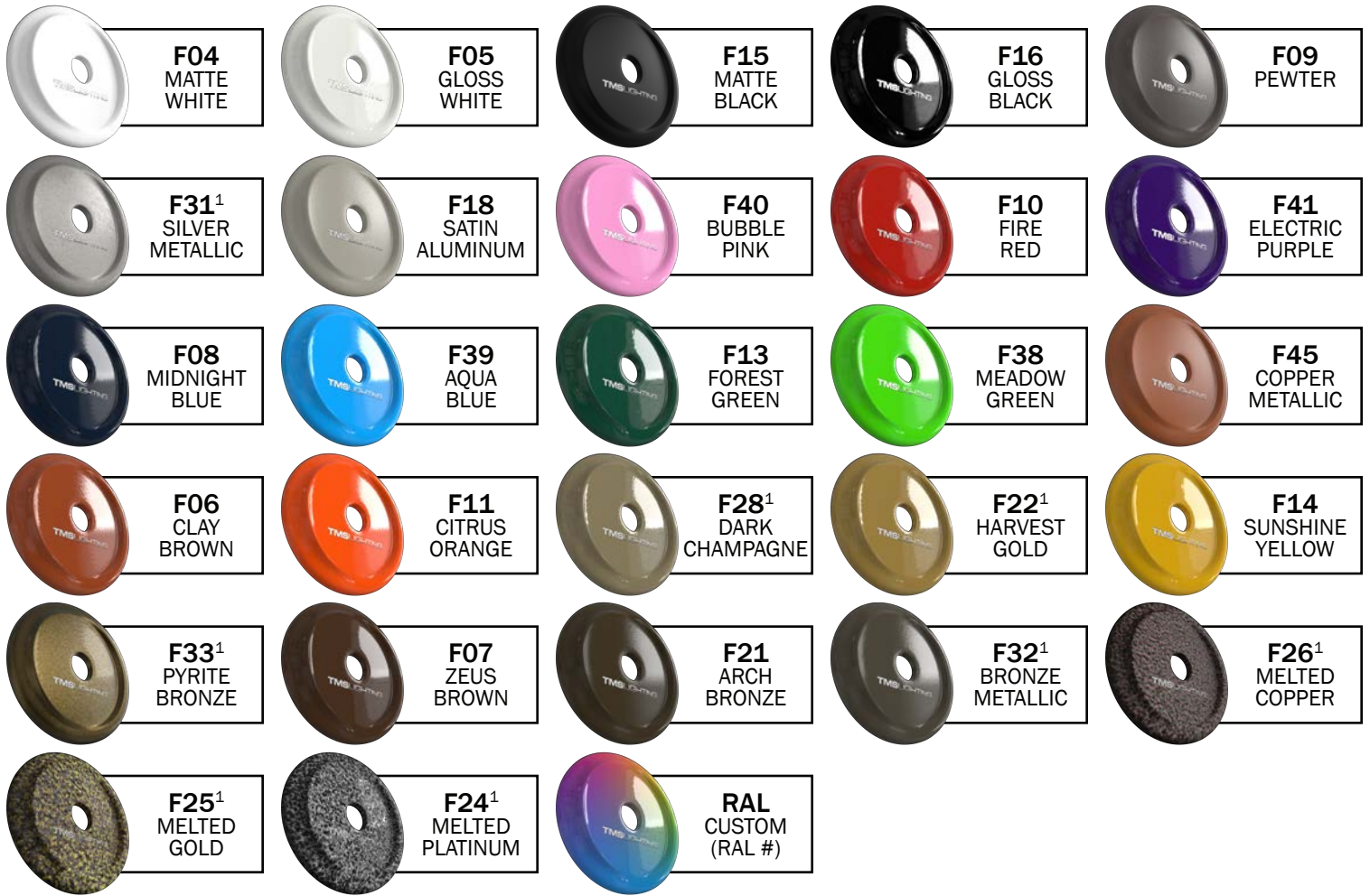
POLAR GRAPH



MAXIMUM CANDELA = 5135.46 LOCATED AT HORIZONTAL ANGLE = 0, VERTICAL ANGLE = 0
 # 1 - VERTICAL PLANE THROUGH HORIZONTAL ANGLES (90 - 270)
 # 2 - VERTICAL PLANE THROUGH HORIZONTAL ANGLES (0 - 180)

LUMINAIRE LUMENS	1887
TOTAL LUMINAIRE EFFICIENCY	NA
LUMINAIRE EFFICACY RATING	87
TOTAL LUMINAIRE WATTS	22

FINISHES



PREMIUM FINISHES



PREMIUM MATERIALS



1: FINISHES IS APPLIED TO THE INTERIOR AND EXTERIOR OF THE FIXTURE.

2: MATERIALS ARE CONSISTENT (INTERIOR & EXTERIOR). STEMS AND CANOPIES WILL BE F16 GLOSS BLACK.

NOTE: ALL FINISHES NOT MARKED WITH NOTATION (1) ARE APPLIED TO THE EXTERIOR ONLY. THE INTERIOR WILL BE F05 GLOSS WHITE.

MATTE FINISHES AVAILABLE. CONSULT FACTORY.

FINISHES ARE SUBJECT TO AVAILABILITY AND MAY NOT BE APPLICABLE TO ALL FIXTURES OR FOR QUICKSHIP.

DISPLAYED FINISHES DIFFER BETWEEN SCREENS AS WELL AS PRINTERS AND MAY NOT ACCURATELY DEPICT COLOR.