

PROJECT: _____

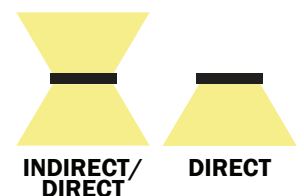
TYPE: _____

QUANTITY: _____



PN: 200FLY

APPLICATION	<ul style="list-style-type: none"> • PENDANT MOUNT • INDOOR RATED
DIMENSION	<ul style="list-style-type: none"> • 24", 48", 72", 96", 120", 138", AND CUSTOM SIZE (61CM, 122CM, 183CM, 244CM, 305CM, 351CM) • HEIGHT: 1.4"H (3.6CM)
ILLUMINATION	<ul style="list-style-type: none"> • DIRECT OR INDIRECT/DIRECT • LED 90CRI • 3,067 - 22,200 LUMENS
ELECTRICAL	<ul style="list-style-type: none"> • 120, 277V AND UNI (120 - 277V) • 10kA SURGE SUPPRESSION STANDARD
DIFFUSERS	<ul style="list-style-type: none"> • HIGH EFFICIENCY ACRYLIC
MOUNTING	<ul style="list-style-type: none"> • 96" (244CM) BLACK OR WHITE DROP CORD W/ AIRCRAFT CABLES
CONSTRUCTION	<ul style="list-style-type: none"> • ALUMINUM & STEEL
FINISHES	<ul style="list-style-type: none"> • AVAILABLE SPECIALTY, AND IN SEVERAL TMS POWDER COATED FINISHES • CUSTOM RAL FINISHES AVAILABLE
DIMMING	<ul style="list-style-type: none"> • 0 - 10V STANDARD DIMMING (1%)
WEIGHT	<ul style="list-style-type: none"> • 50 LBS MAXIMUM





FLY™ PENDANT

PROJECT: _____

TYPE: _____

QUANTITY: _____

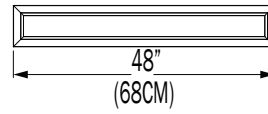
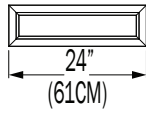
200FLY

1 2 3 4 5 6 7 8 9 10

1.	DIRECT							CUSTOM LENGTH (SPECIFY LENGTHS MULTIPLES OF 6")
	24D	48D	72D	96D	120D	144D	CUS	
	LENGTH	24"(61CM)	48"(122CM)	72"(183CM)	96"(244CM)	120"(305CM)	138"(351CM)	
	LED (W)	34W	68W	99W	132W	166W	199W	
LUMENS	3067	6923	9256	12388	15629	18784		
1.	INDIRECT							CUSTOM LENGTH (SPECIFY LENGTHS MULTIPLES OF 6")
	24ID	48ID	72ID	96ID	120ID	144ID	CUS	
	LENGTH	24"(61CM)	48"(122CM)	72"(183CM)	96"(244CM)	120"(305CM)	138"(351CM)	
	LED (W)	34W	68W	99W	132W	166W	199W	
LUMENS	3711	7517	11005	14690	18400	22200		
2.	30K		35K			40K		
	LED CCT	3000K		3500K			4000K	
3.	120		277			UNI		
	VOLTAGE	120V		277V			120 - 227V	
4.	SW							
	DIFFUSER	SATIN						
5.	ACC			ACT				
	MOUNTING	CABLE & CORD			CABLE & CORD FOR T-BAR			
6.	BC			WC				
	CORD	BLACK DROP CORD			WHITE DROP CORD			
7.	AN	F04	F05	F15	F16	F18	RAL	
	FINISH	ANODIZED (SILVER)	MATTE WHITE	GLOSS WHITE	MATTE BLACK	GLOSS BLACK	SATIN PLATINUM	CUSTOM (SPECIFY)
8.	---			EMR				
	EMERGENCY ¹	NONE			REMOTE			
9.	---		DOS		DS		OS	
	SENSORS	NONE		DAYLIGHT/OCCUPANCY		DAYLIGHT		OCCUPANCY
10.	DIML							
	DIMMING	LED DIMMING (0 - 10V, CURRENT - SINKING)						

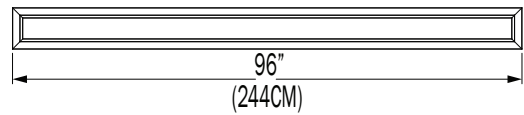
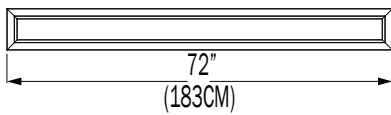
1. 10W AT 90 MINUTES. EMERGENCY (EMR) OPTION ILLUMINATES MAX OF 2 FT.

NOTE: SOME OPTIONS MAY NOT BE COMPATIBLE WITH OTHERS. ALL SPECIFICATIONS ARE SUBJECT TO CHANGE WITHOUT NOTICE. CONTACT TMS LIGHTING FOR UPDATED SPECIFICATIONS.



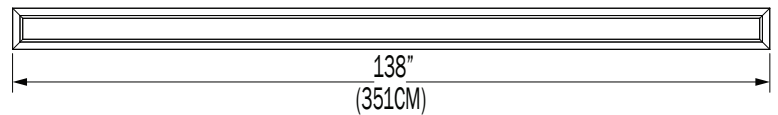
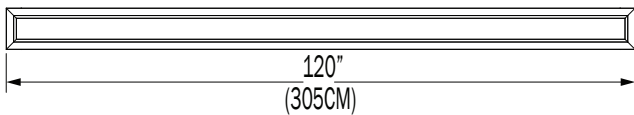
24D/ID

48D/ID



72D/ID

96D/ID

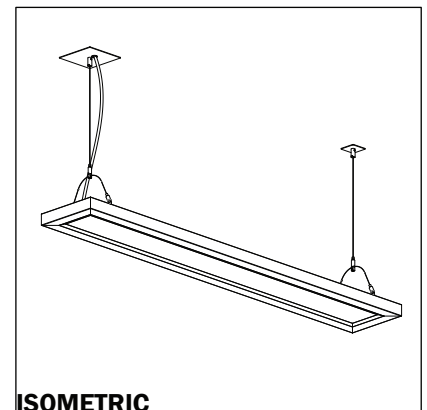
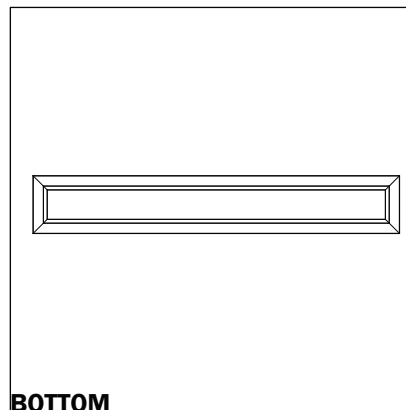
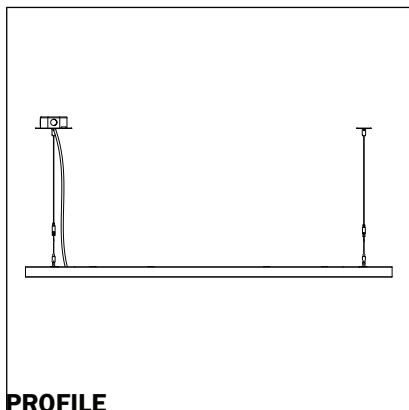
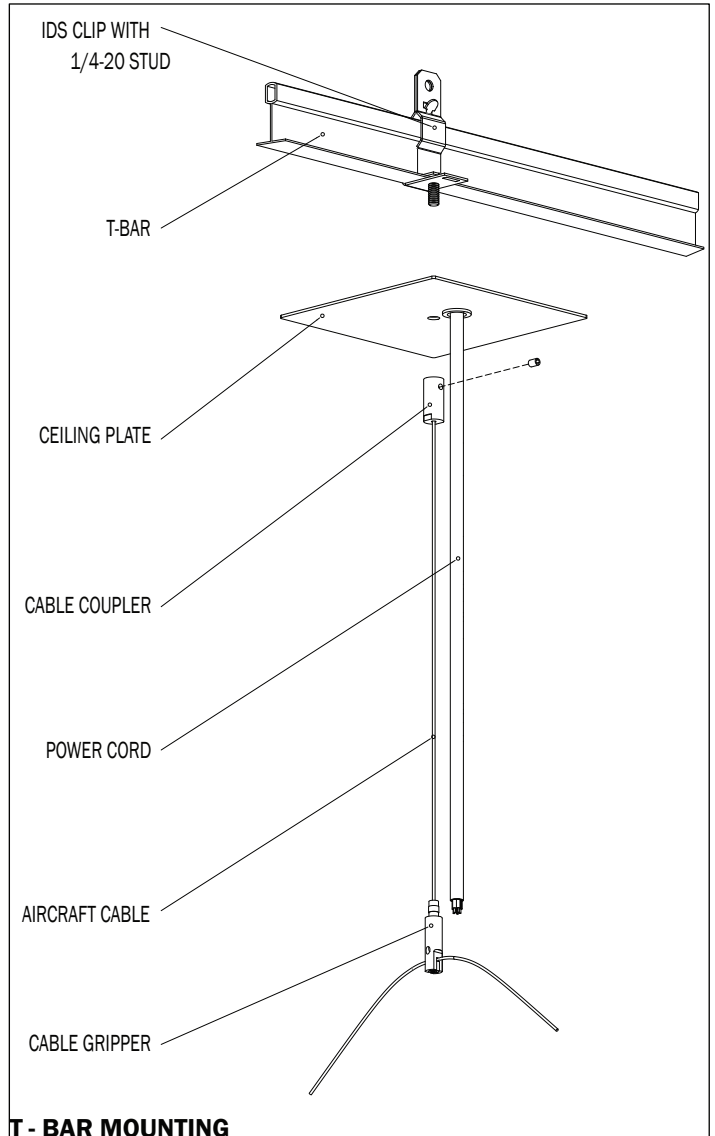
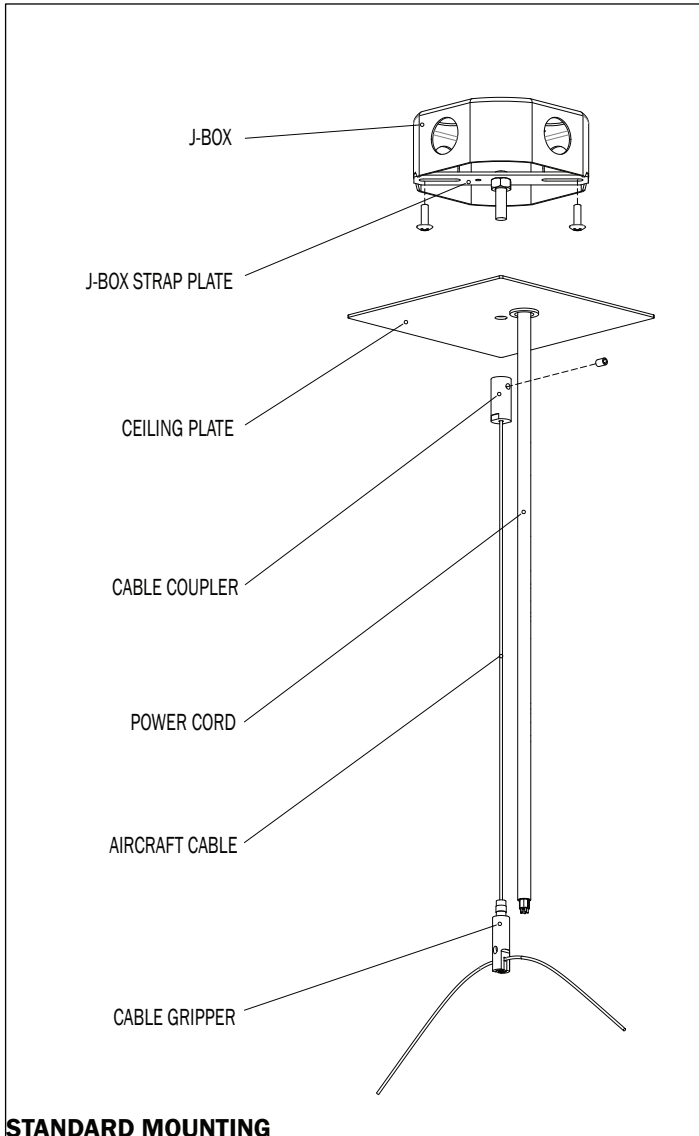


120D/ID

144D/ID



CUS (SPECIFY IN MULTIPLES OF 6")



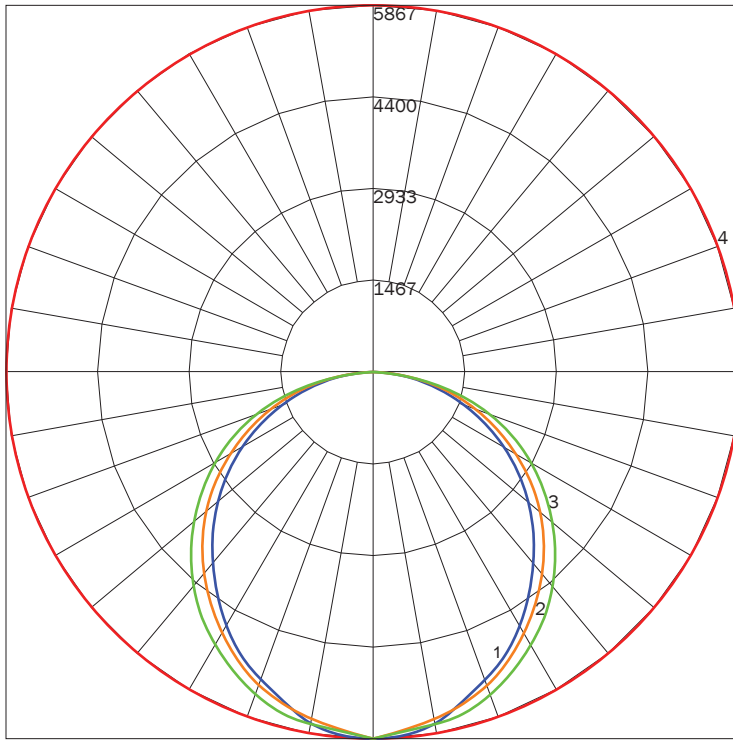
DIRECT

PN	SIZE (LENGTH)	LUMENS	WATTAGE
FLY200	24D	3067	34
	48D	6923	68
	72D	9256	99
	96D	12388	132
	120D	15629	166
	144D (138")	18784	199

IES INDOOR REPORT

PHOTOMETRIC FILENAME : 200FY D24 35K SW F05.IES

POLAR GRAPH



MAXIMUM CANDELA = 1016.78 LOCATED AT HORIZONTAL ANGLE = 0, VERTICAL ANGLE = 0
 # 1 - VERTICAL PLANE THROUGH HORIZONTAL ANGLES (0 - 180) (THROUGH MAX. CD.)
 # 2 - VERTICAL PLANE THROUGH HORIZONTAL ANGLES (45 - 225)
 # 3 - VERTICAL PLANE THROUGH HORIZONTAL ANGLES (90 - 270)
 # 4 - HORIZONTAL CONE THROUGH VERTICAL ANGLE (0) (THROUGH MAX. CD.)

LUMINAIRE LUMENS 3067
TOTAL LUMINAIRE EFFICIENCY 71%
LUMINAIRE EFFICACY RATING 90
TOTAL LUMINAIRE WATTS 34

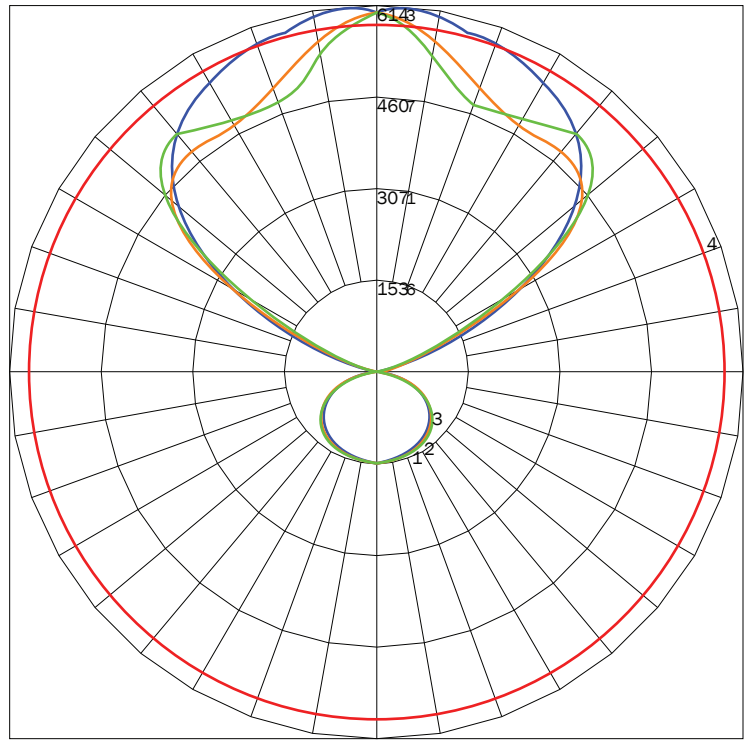
INDIRECT / DIRECT

PN	SIZE (LENGTH)	LUMENS	WATTAGE
FLY200	24ID	3711	34
	48ID	7517	68
	72ID	11005	99
	96ID	14690	132
	120ID	18400	166
	144ID (138")	22200	199

IES INDOOR REPORT

PHOTOMETRIC FILENAME : 200FY ID144 35K SW F05

POLAR GRAPH



MAXIMUM CANDELA = 5866.58 LOCATED AT HORIZONTAL ANGLE = 0, VERTICAL ANGLE = 0
 # 1 - VERTICAL PLANE THROUGH HORIZONTAL ANGLES (0 - 180) (THROUGH MAX. CD.)
 # 2 - VERTICAL PLANE THROUGH HORIZONTAL ANGLES (45 - 225)
 # 3 - VERTICAL PLANE THROUGH HORIZONTAL ANGLES (90 - 270)
 # 4 - HORIZONTAL CONE THROUGH VERTICAL ANGLE (0) (THROUGH MAX. CD.)

LUMINAIRE LUMENS 22221
TOTAL LUMINAIRE EFFICIENCY 89%
LUMINAIRE EFFICACY RATING 112
TOTAL LUMINAIRE WATTS 198.72

AVAILABLE FINISHES



AN
ANODIZED
(SILVER)



F04
MATTE
WHITE



F05
GLOSS
WHITE



F15
MATTE
BLACK



F16
GLOSS
BLACK



F18
SATIN
ALUMINUM



RAL
CUSTOM
COLOR
(RAL #)

NOTE: DISPLAYED FINISHES DIFFER BETWEEN SCREENS AS WELL AS PRINTERS AND MAY NOT ACCURATELY DEPICT COLOR.