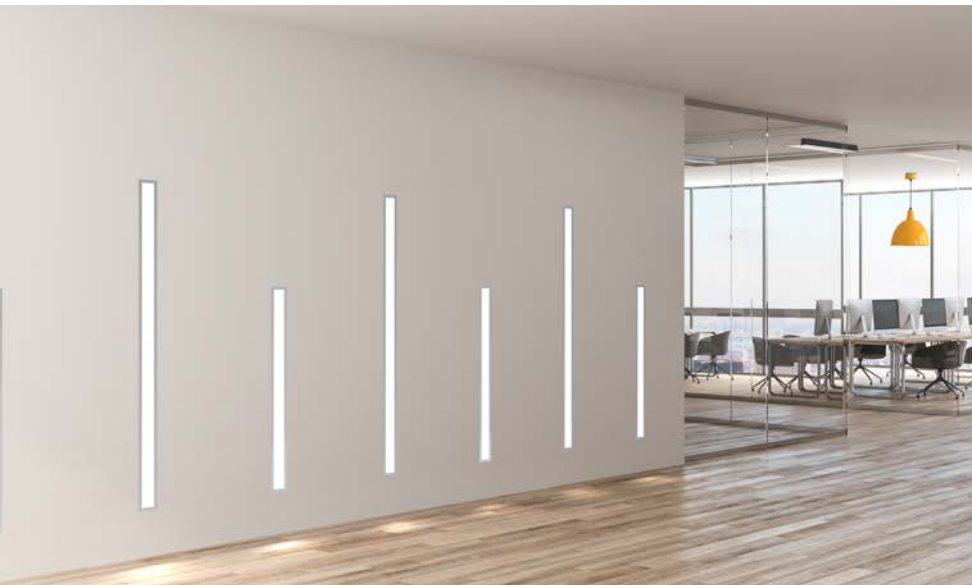


FLUX WALL™ RECESSED

PROJECT: _____

TYPE: _____

QUANTITY: _____

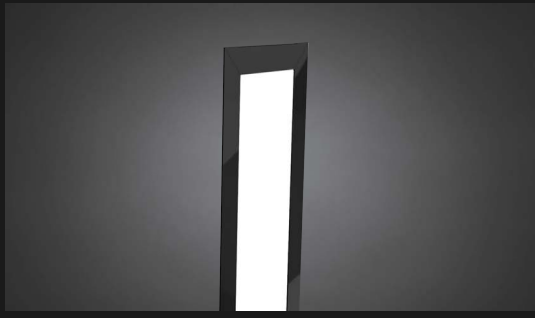


PN: 680FLRW

APPLICATION	<ul style="list-style-type: none">• RECESSED WALL• INDOOR RATED
DIMENSION	<ul style="list-style-type: none">• AVAILABLE IN 24" - 144" LENGTHS• CUSTOM SIZES AVAILABLE
ILLUMINATION	<ul style="list-style-type: none">• LED 90CRI• 2799 - 17112 LUMENS
ELECTRICAL	<ul style="list-style-type: none">• 120 - 277V• 6KV SURGE SUPPRESSION STANDARD
DIFFUSERS	<ul style="list-style-type: none">• HIGH EFFICIENCY ACRYLIC
MOUNTING	<ul style="list-style-type: none">• MUD FLANGE OR WALL TRIM
CONSTRUCTION	<ul style="list-style-type: none">• ALUMINUM & STEEL
FINISHES	<ul style="list-style-type: none">• AVAILABLE IN SEVERAL TMS POLYESTER POWDER COATED FINISHES• CUSTOM RAL FINISHES AVAILABLE
DIMMING	<ul style="list-style-type: none">• 0 - 10V STANDARD
WEIGHT	<ul style="list-style-type: none">• 35 LBS MAXIMUM



FLUX WALL™ RECESSED



PROJECT: _____
 TYPE: _____
 QUANTITY: _____

680FLRW

1 2 3 4 5 6 7 8 9

1.	W24	W48	W72	W96	W120	W144	CUS
L (INCH)	24	48	72	96	120	144	CUSTOM SIZE (SPECIFY LENGTH)
LED (W)	27	52	78	104	130	156	
LUMENS	2799	5767	8653	11630	14258	17112	

2.	30K	35K	40K
CCT	3000	3500	4000

3.	120	277	UNI
VOLTAGE	120V	277V	120-277V

4.	MD	TR
MOUNTING	MUD FLANGE	WALL TRIM

5.	SW	BL
DIFFUSER	SATIN	BLACK LENS

6.	F04	F05	F15	F16	F18	RAL
FINISH	MATTE WHITE	GLOSS WHITE	MATTE BLACK	GLOSS BLACK	SATIN ALUMINUM	CUSTOM (SPECIFY)

7.	EMR ¹
EMERGENCY	REMOTE

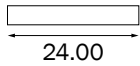
8.	DS	OS	DOS
SENSORS	DAYLIGHT	OCCUPANCY	DAYLIGHT/OCCUPANCY

9.	DIML
DIMMING	LED DIMMING (0-10V)

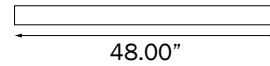
1. EMERGENCY (EMR) OPTION ILLUMINATES MAX OF 4 FT.

NOTE: SOME OPTIONS MAY NOT BE COMPATIBLE WITH OTHERS. ALL SPECIFICATIONS ARE SUBJECT TO CHANGE WITHOUT NOTICE. CONTACT TMS LIGHTING FOR UPDATED SPECIFICATIONS.

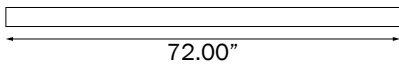
FLUX WALL™ RECESSED



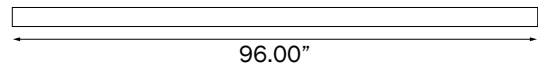
W24



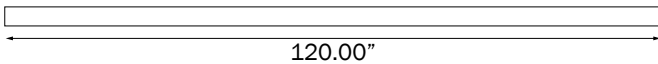
W48



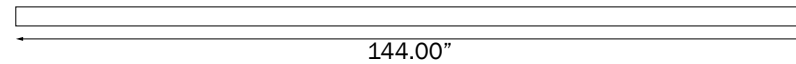
W72



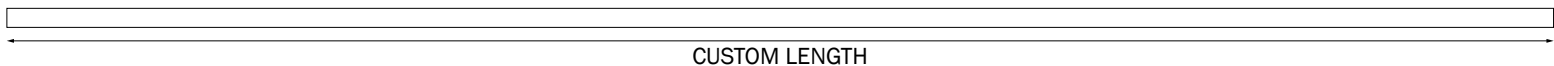
W96



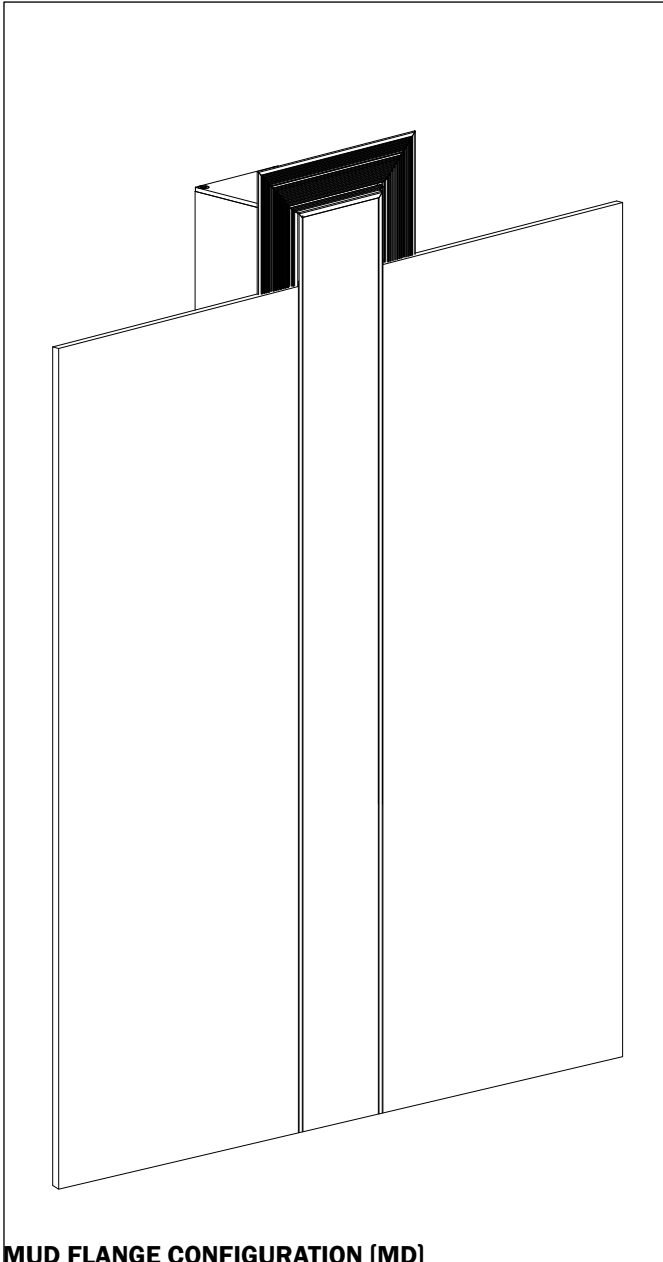
W120



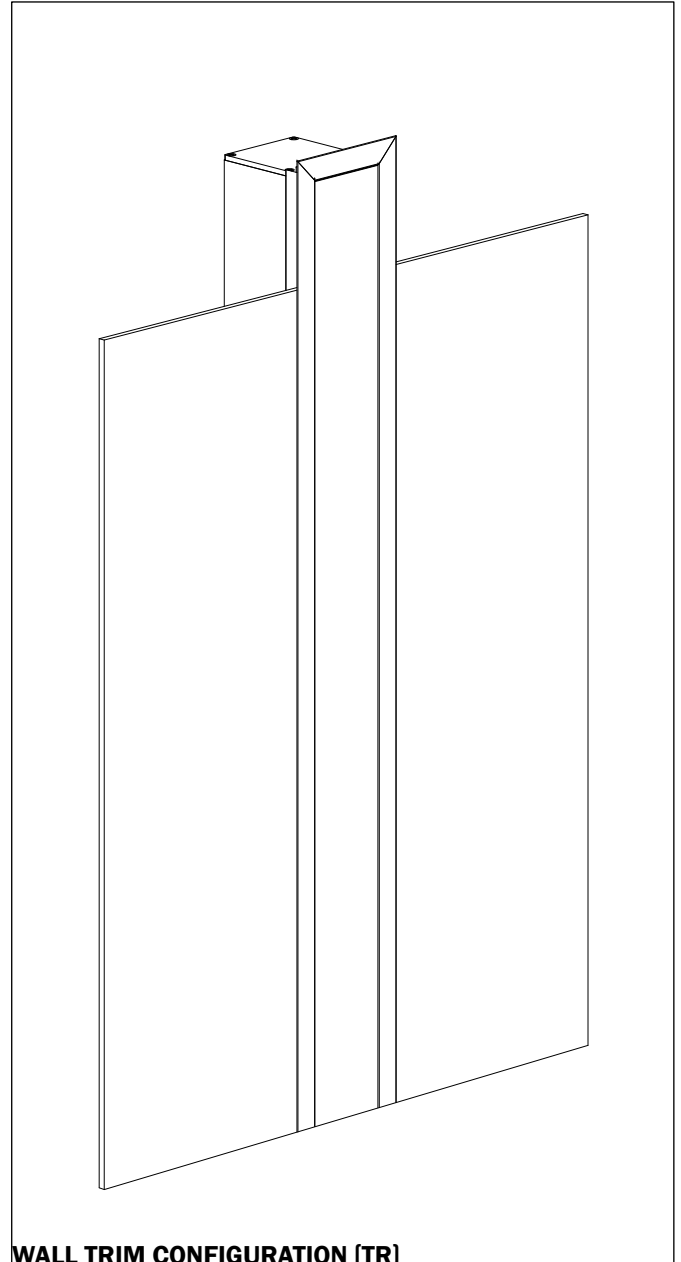
W144



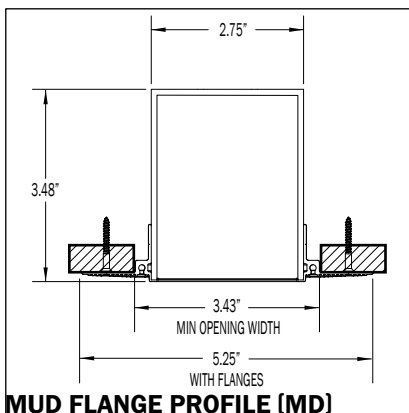
CUS



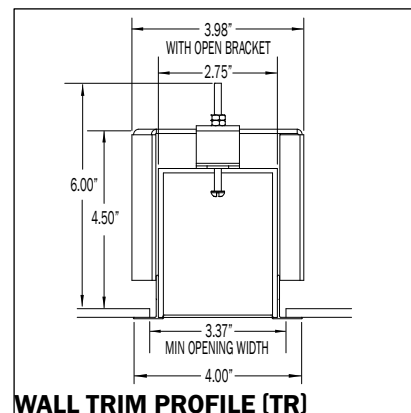
MUD FLANGE CONFIGURATION (MD)



WALL TRIM CONFIGURATION (TR)



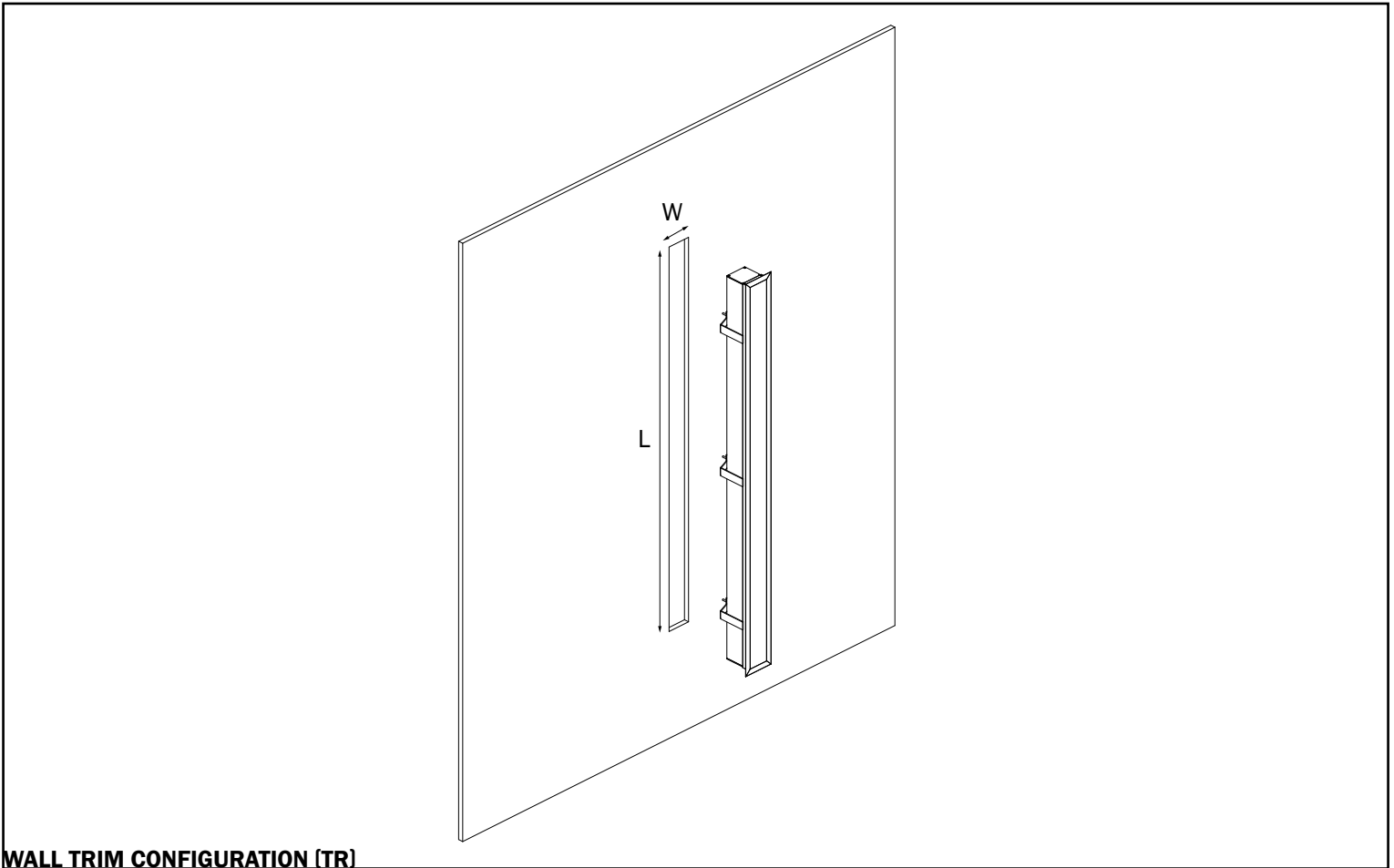
MUD FLANGE PROFILE (MD)



WALL TRIM PROFILE (TR)

TOLERANCES

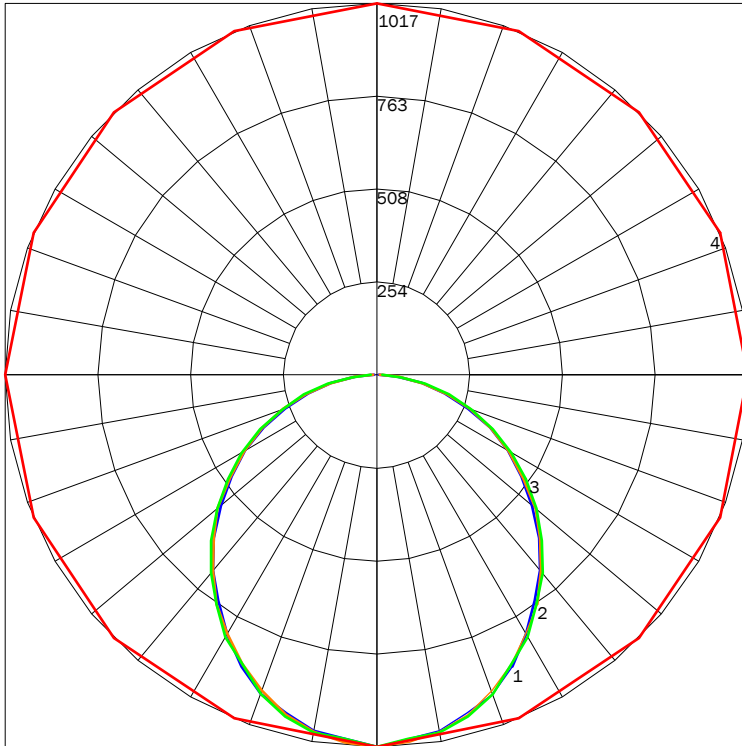
PN	MUD FLANGE (MD) TOLERANCE (LxW)	WALL TRIM (TR) TOLERANCE (LxW)
W24	24 - 13/16" x 3 - 7/16"	24 - 1/2" x 3 - 3/8"
W48	48 - 13/16" x 3 - 7/16"	48 - 1/2" x 3 - 3/8"
W72	78 - 13/16" x 3 - 7/16"	72 - 1/2" x 3 - 3/8"
W96	96 - 13/16" x 3 - 7/16"	96 - 1/2" x 3 - 3/8"
W120	120 - 13/16" x 3 - 7/16"	120 - 1/2" x 3 - 3/8"
W144	144 - 13/16" x 3 - 7/16"	144 - 1/2" x 3 - 3/8"



PN	WATTAGE	LUMENS	MUD FLANGE (MD) WEIGHT	WALL TRIM (TR) WEIGHT
W24	27	2799	6LBS	6LBS
W48	52	5767	11LBS	12LBS
W72	78	8653	17LBS	18LBS
W96	104	11630	23LBS	23LBS
W120	130	14258	29LBS	29LBS
W144	156	17112	34LBS	35LBS

IES INDOOR REPORT
PHOTOMETRIC FILENAME : 680FLRW-W24-35K-F05.IES

POLAR GRAPH

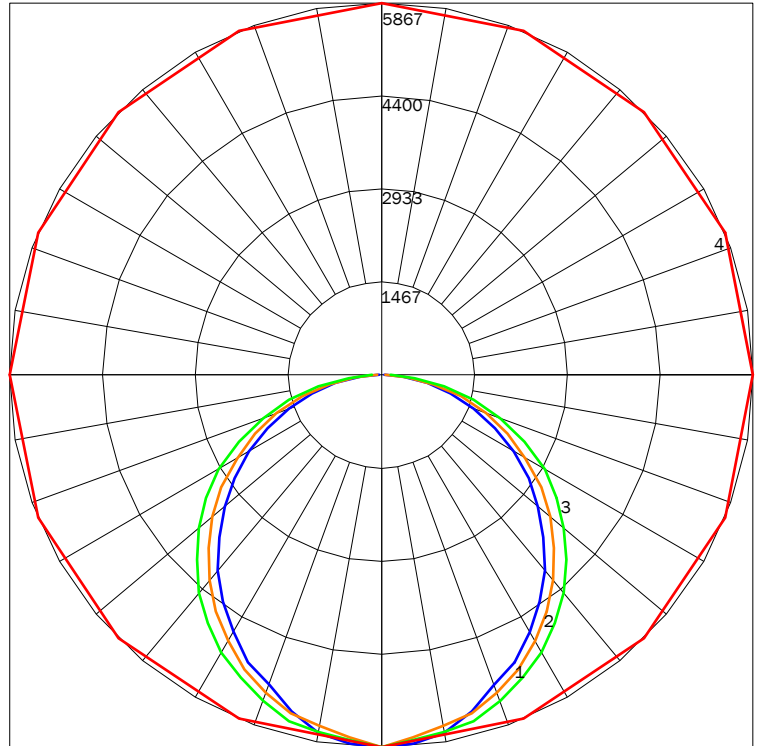


Maximum Candela = 1016.78 Located At Horizontal Angle = 0, Vertical Angle = 0
 # 1 - Vertical Plane Through Horizontal Angles (0 - 180) (Through Max. Cd.)
 # 2 - Vertical Plane Through Horizontal Angles (45 - 225)
 # 3 - Vertical Plane Through Horizontal Angles (90 - 270)
 # 4 - Horizontal Cone Through Vertical Angle (0) (Through Max. Cd.)

LUMINAIRE LUMENS 2799
TOTAL LUMINAIRE EFFICIENCY 81%
LUMINAIRE EFFECIENCY RATING 105
TOTAL LUMINAIRE WATTS 27

IES INDOOR REPORT
PHOTOMETRIC FILENAME : 680FLRW-W144-35K-F05.IES

POLAR GRAPH



Maximum Candela = 5866.58 Located At Horizontal Angle = 0, Vertical Angle = 0
 # 1 - Vertical Plane Through Horizontal Angles (0 - 180) (Through Max. Cd.)
 # 2 - Vertical Plane Through Horizontal Angles (45 - 225)
 # 3 - Vertical Plane Through Horizontal Angles (90 - 270)
 # 4 - Horizontal Cone Through Vertical Angle (0) (Through Max. Cd.)

LUMINAIRE LUMENS 17112
TOTAL LUMINAIRE EFFICIENCY 83%
LUMINAIRE EFFECIENCY RATING 110
TOTAL LUMINAIRE WATTS 156

AVAILABLE FINISHES



F04
MATTE
WHITE



F05
GLOSS
WHITE



F15
MATTE
BLACK



F16
GLOSS
BLACK



F18
SATIN
ALUMINUM



RAL
CUSTOM
COLOR
(RAL #)

DISPLAYED FINISHES DIFFER BETWEEN SCREENS AS WELL AS PRINTERS AND MAY NOT ACCURATELY DEPICT COLOR.