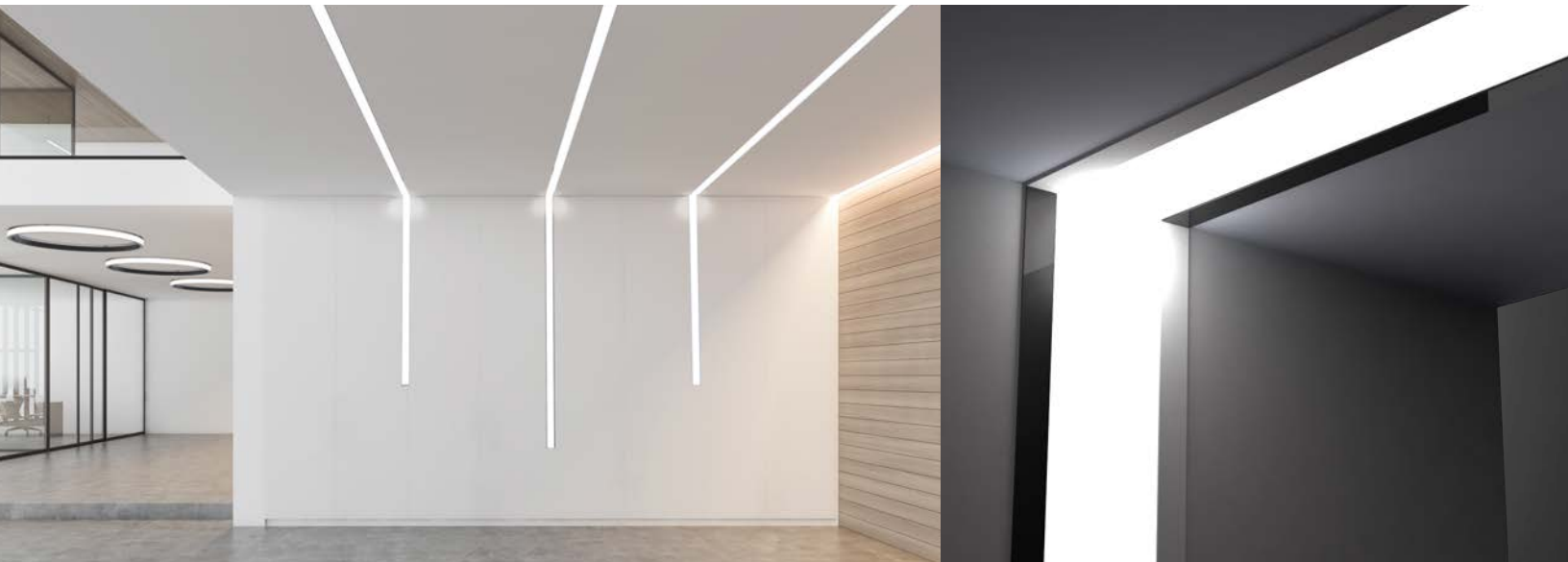


PROJECT: _____

TYPE: _____

QUANTITY: _____



PN: 680FLWCR

| | |
|---------------------|--------------------------------------------------------------------------------------------------------------------------------------------------------|
| APPLICATION | <ul style="list-style-type: none"> • RECESSED WALL TO CEILING • INDOOR RATED |
| DIMENSION | <ul style="list-style-type: none"> • AVAILABLE IN 24"- 144" LENGTHS AND HEIGHTS • CUSTOM SIZES AVAILABLE |
| ILLUMINATION | <ul style="list-style-type: none"> • LED 90CRI • 5598-34224 LUMENS |
| ELECTRICAL | <ul style="list-style-type: none"> • 120-277V • 6KV SURGE SUPPRESSION STANDARD |
| DIFFUSERS | <ul style="list-style-type: none"> • HIGH EFFICIENCY ACRYLIC |
| MOUNTING | <ul style="list-style-type: none"> • MUD FLANGE OR WALL/CEILING TRIM |
| CONSTRUCTION | <ul style="list-style-type: none"> • ALUMINUM BODY & STAINLESS STEEL HARDWARE |
| FINISHES | <ul style="list-style-type: none"> • AVAILABLE IN SEVERAL TMS POLYESTER POWDER COATED FINISHES • CUSTOM RAL FINISHES AVAILABLE |
| DIMMING | <ul style="list-style-type: none"> • 0-10V STANDARD |
| WEIGHT | <ul style="list-style-type: none"> • 70 LBS MAXIMUM |



FLUX W2C™ RECESSED



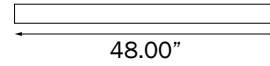
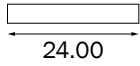
PROJECT: _____
 TYPE: _____
 QUANTITY: _____

680FLWCR -

| | 1 | 2 | 3 | 4 | 5 | 6 | 7 | 8 | 9 | 10 | |
|------------|------------------------|-------------|-------------|-------------|----------------|------------------|-----------------------------------------|---|---|----|--|
| 1. | W24 | W48 | W72 | W96 | W120 | W144 | CUS | | | | |
| L (INCH) | 24 | 48 | 72 | 96 | 120 | 144 | CUSTOM SIZE (SPECIFY LENGTH) | | | | |
| LED (W) | 27 | 52 | 78 | 104 | 130 | 156 | | | | | |
| LUMENS | 2799 | 5767 | 8653 | 11630 | 14258 | 17112 | | | | | |
| 2. | C24 | C48 | C72 | C96 | C120 | C144 | CUS | | | | |
| L (INCH) | 24 | 48 | 72 | 96 | 120 | 144 | CUSTOM SIZE (SPECIFY LENGTH) | | | | |
| LED (W) | 27 | 52 | 78 | 104 | 130 | 156 | | | | | |
| LUMENS | 2799 | 5767 | 8653 | 11630 | 14258 | 17112 | | | | | |
| 3. | 30K | | 35K | | | 40K | | | | | |
| CCT | 3000 | | 3500 | | | 4000 | | | | | |
| 4. | 120 | | | 277 | | | UNI | | | | |
| VOLTAGE | 120V | | | 277V | | | 120-277V | | | | |
| 5. | MD | | | | | TR | | | | | |
| MOUNTING | MUD FLANGE | | | | | TRIM | | | | | |
| 6. | SW | | | | | BL | | | | | |
| DIFFUSER | SATIN | | | | | BLACK LENS | | | | | |
| 7. | F04 | F05 | F15 | F16 | F18 | RAL | | | | | |
| FINISH | MATTE WHITE | GLOSS WHITE | MATTE BLACK | GLOSS BLACK | SATIN ALUMINUM | CUSTOM (SPECIFY) | | | | | |
| 8. | EMR¹ | | | | | | | | | | |
| EMERGENCY | REMOTE | | | | | | | | | | |
| 9. | DS | | | OS | | | DOS | | | | |
| SENSORS | DAYLIGHT | | | OCCUPANCY | | | DAYLIGHT/OCCUPANCY | | | | |
| 10. | DIML | | | | | | | | | | |
| DIMMING | LED DIMMING (0-10V) | | | | | | | | | | |

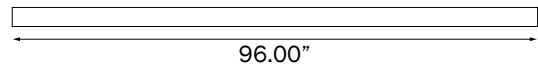
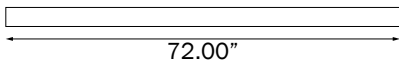
1. EMERGENCY (EMR) OPTION ILLUMINATES MAX OF 4 FT.

NOTE: SOME OPTIONS MAY NOT BE COMPATIBLE WITH OTHERS. ALL SPECIFICATIONS ARE SUBJECT TO CHANGE WITHOUT NOTICE. CONTACT TMS LIGHTING FOR UPDATED SPECIFICATIONS.



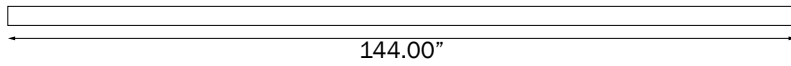
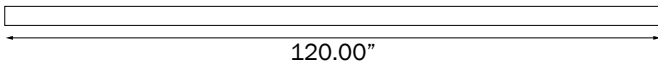
W24 | C24

W48 | C48



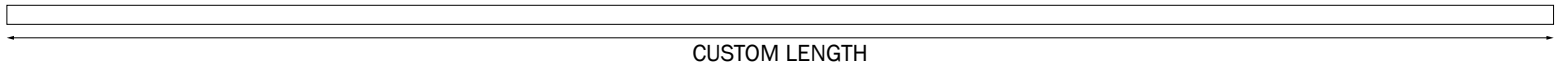
W72 | C72

W96 | C96

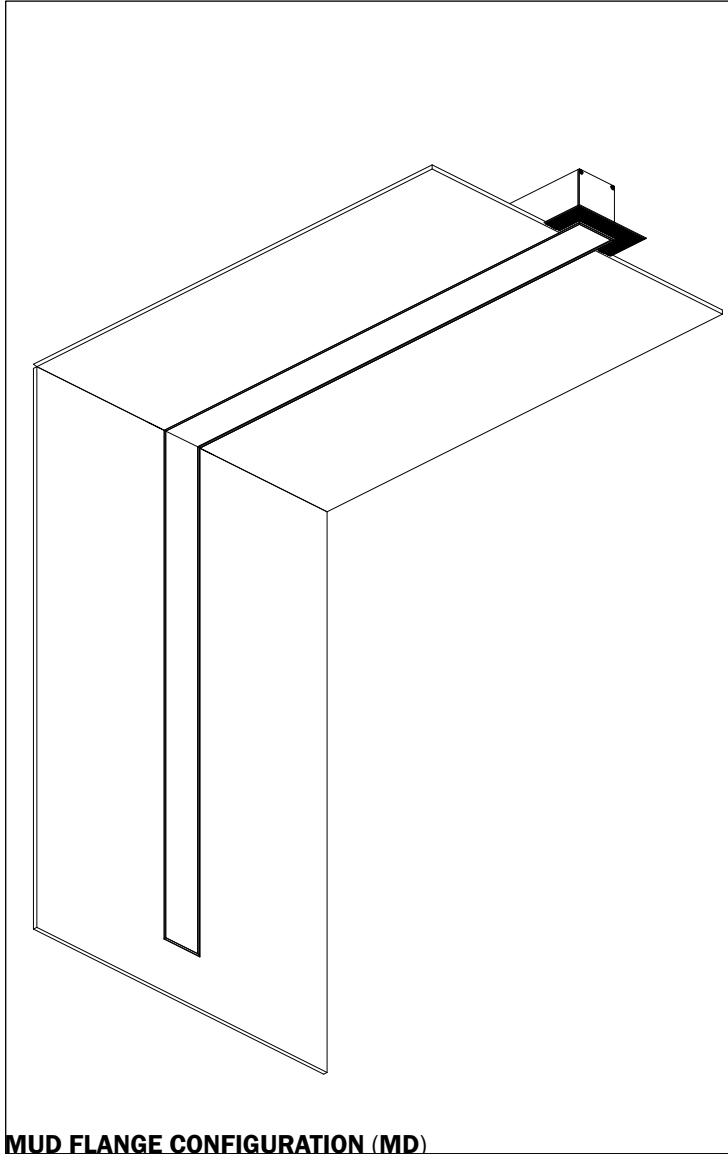


W120 | C120

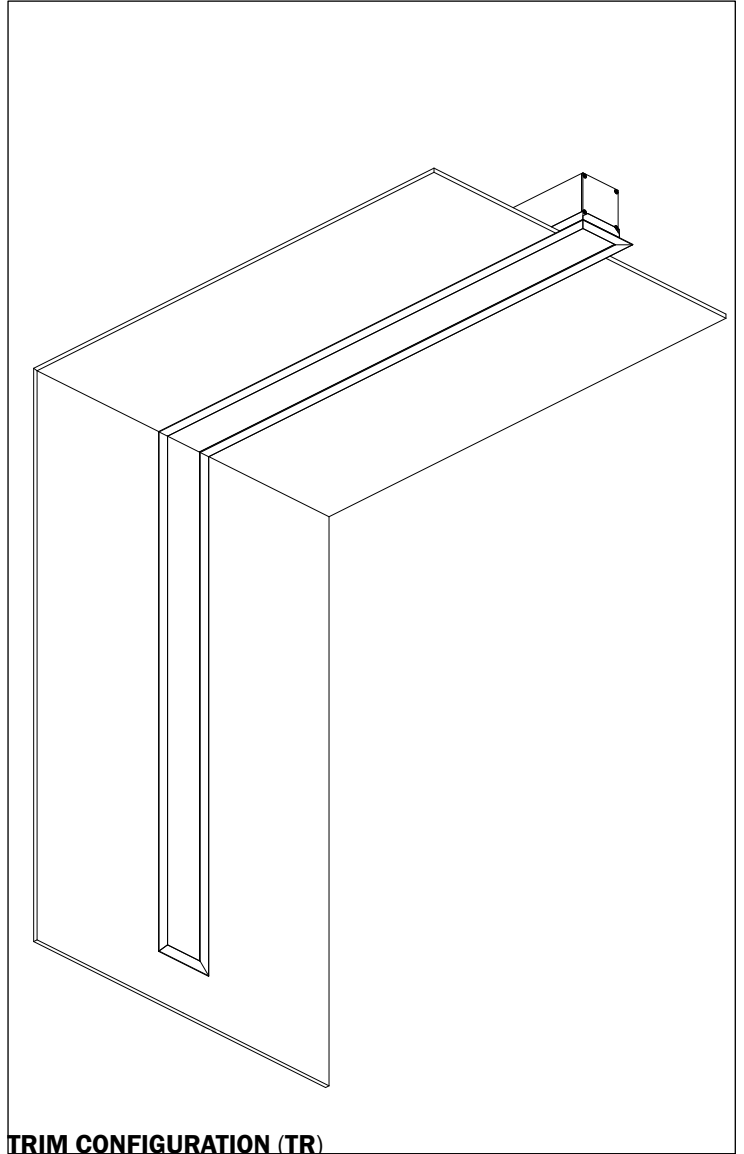
W144 | C144



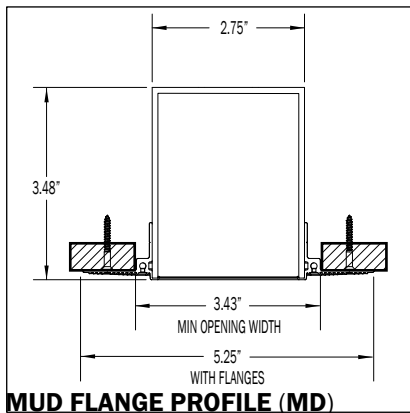
CUS



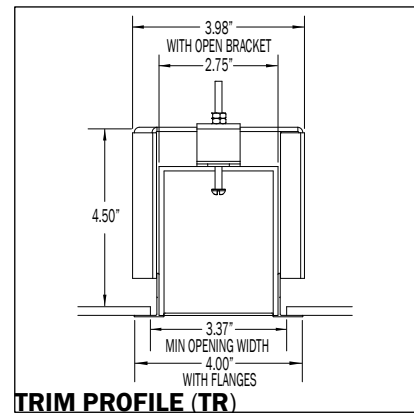
MUD FLANGE CONFIGURATION (MD)



TRIM CONFIGURATION (TR)



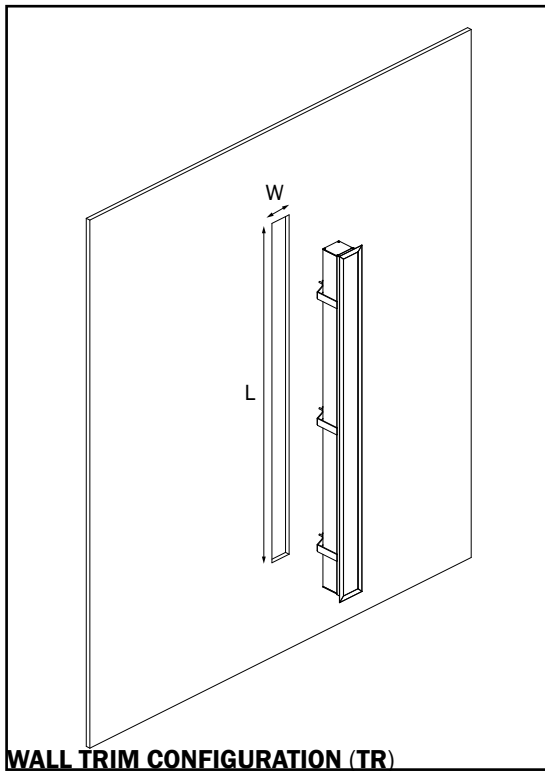
MUD FLANGE PROFILE (MD)



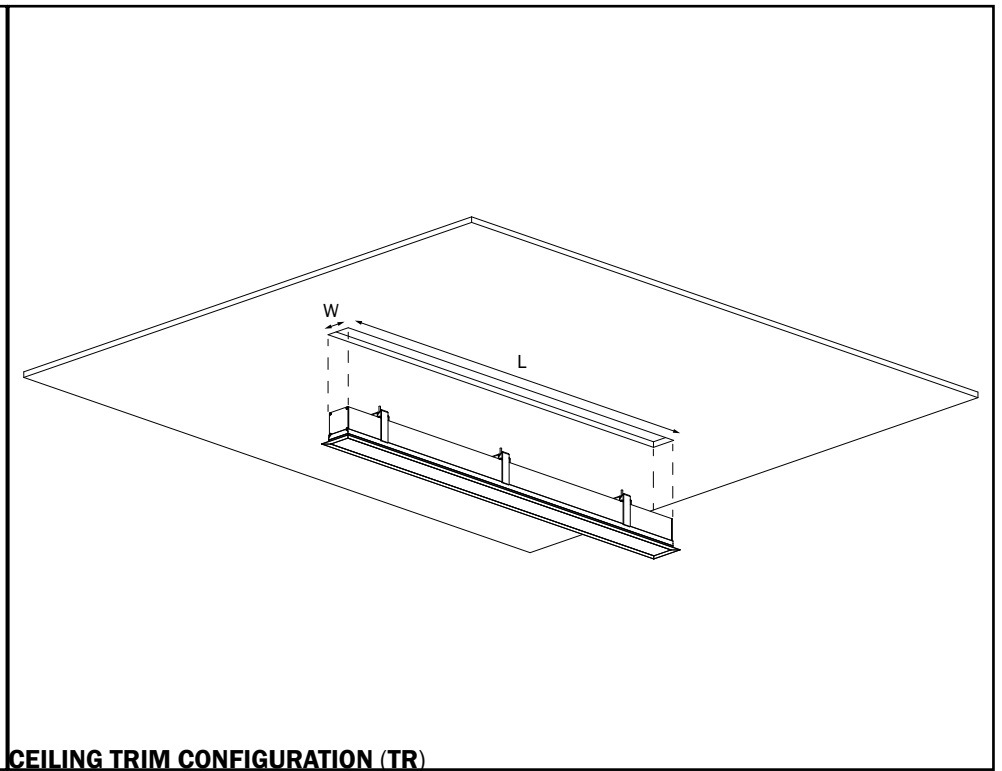
TRIM PROFILE (TR)

TOLERANCES

| PN | MUD FLANGE (MD) TOLERANCE (LxW) | WALL/CEILING TRIM (TR) TOLERANCE (LxW) |
|--------------------|---------------------------------|----------------------------------------|
| W24 C24 | 24 - 13/16" x 3 - 7/16" | 24 - 1/2" x 3 - 3/8" |
| W48 C48 | 48 - 13/16" x 3 - 7/16" | 48 - 1/2" x 3 - 3/8" |
| W72 C72 | 78 - 13/16" x 3 - 7/16" | 72 - 1/2" x 3 - 3/8" |
| W96 C96 | 96 - 13/16" x 3 - 7/16" | 96 - 1/2" x 3 - 3/8" |
| W120 C120 | 120 - 13/16" x 3 - 7/16" | 120 - 1/2" x 3 - 3/8" |
| W144 C144 | 144 - 13/16" x 3 - 7/16" | 144 - 1/2" x 3 - 3/8" |



WALL TRIM CONFIGURATION (TR)

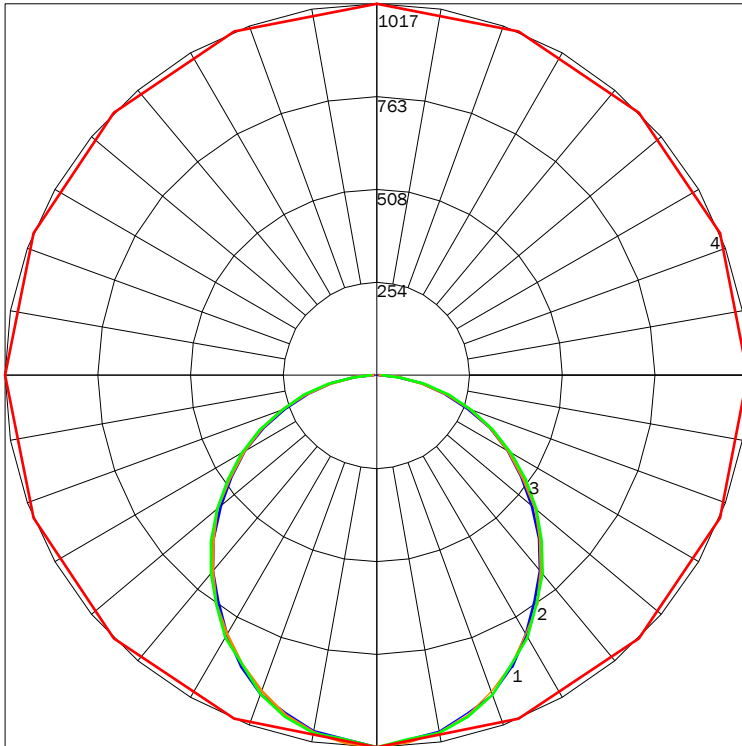


CEILING TRIM CONFIGURATION (TR)

| PN | WATTAGE | LUMENS | MUD FLANGE (MD) WEIGHT | WALL/CEILING TRIM (TR) WEIGHT |
|--------------|---------|--------|------------------------|-------------------------------|
| W24 C24 | 27 | 2799 | 6LBS | 6LBS |
| W48 C24 | 52 | 5767 | 11LBS | 12LBS |
| W72 C72 | 78 | 8653 | 17LBS | 18LBS |
| W96 C96 | 104 | 11630 | 23LBS | 23LBS |
| W120 C120 | 130 | 14258 | 29LBS | 29LBS |
| W144 C144 | 156 | 17112 | 34LBS | 35LBS |

IES INDOOR REPORT
PHOTOMETRIC FILENAME : 680FLWCR-C24-35K-F05.IES

POLAR GRAPH

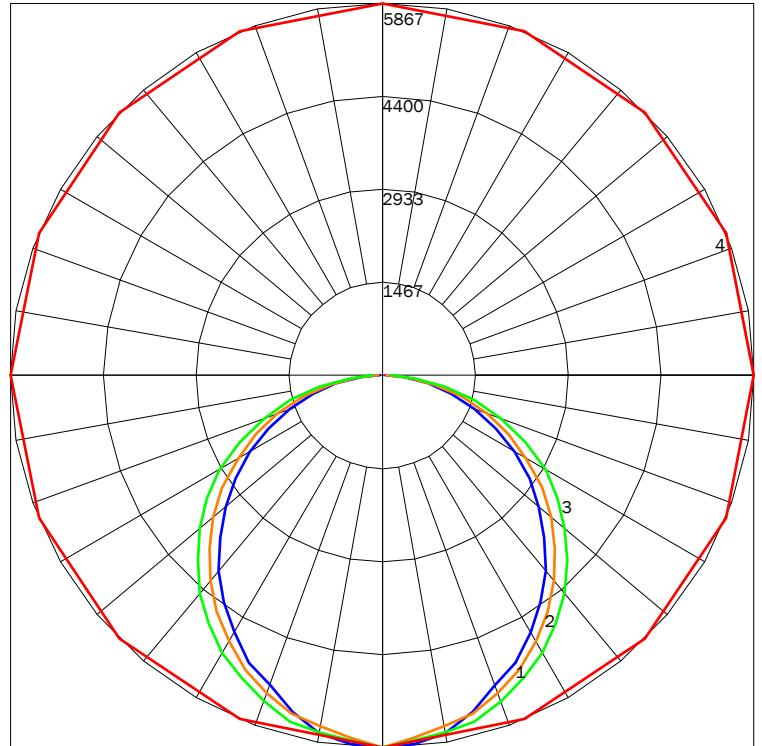


MAXIMUM CANDELA = 1016.78 LOCATED AT HORIZONTAL ANGLE = 0, VERTICAL ANGLE = 0
 # 1 - VERTICAL PLANE THROUGH HORIZONTAL ANGLES (0 - 180) (THROUGH MAX. CD.)
 # 2 - VERTICAL PLANE THROUGH HORIZONTAL ANGLES (45 - 225)
 # 3 - VERTICAL PLANE THROUGH HORIZONTAL ANGLES (90 - 270)
 # 4 - HORIZONTAL CONE THROUGH VERTICAL ANGLE (0) (THROUGH MAX. CD.)

LUMINAIRE LUMENS 2799
TOTAL LUMINAIRE EFFICIENCY 81%
LUMINAIRE EFFECIENCY RATING 105
TOTAL LUMINAIRE WATTS 27

IES INDOOR REPORT
PHOTOMETRIC FILENAME : 680FLWCR-W144-35K-F05.IES

POLAR GRAPH



MAXIMUM CANDELA = 5866.58 LOCATED AT HORIZONTAL ANGLE = 0, VERTICAL ANGLE = 0
 # 1 - VERTICAL PLANE THROUGH HORIZONTAL ANGLES (0 - 180) (THROUGH MAX. CD.)
 # 2 - VERTICAL PLANE THROUGH HORIZONTAL ANGLES (45 - 225)
 # 3 - VERTICAL PLANE THROUGH HORIZONTAL ANGLES (90 - 270)
 # 4 - HORIZONTAL CONE THROUGH VERTICAL ANGLE (0) (THROUGH MAX. CD.)

LUMINAIRE LUMENS 17112
TOTAL LUMINAIRE EFFICIENCY 83%
LUMINAIRE EFFECIENCY RATING 110
TOTAL LUMINAIRE WATTS 156

AVAILABLE FINISHES



F04
MATTE
WHITE



F05
GLOSS
WHITE



F15
MATTE
BLACK



F16
GLOSS
BLACK



F18
SATIN
ALUMINUM



RAL
CUSTOM
COLOR
(RAL #)

DISPLAYED FINISHES DIFFER BETWEEN SCREENS AS WELL AS PRINTERS AND MAY NOT ACCURATELY DEPICT COLOR.