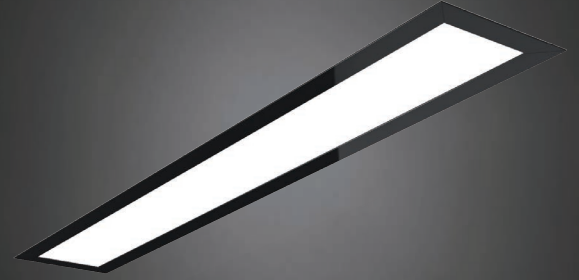


# FLUX CEILING™ RECESSED

PROJECT: \_\_\_\_\_

TYPE: \_\_\_\_\_

QUANTITY: \_\_\_\_\_

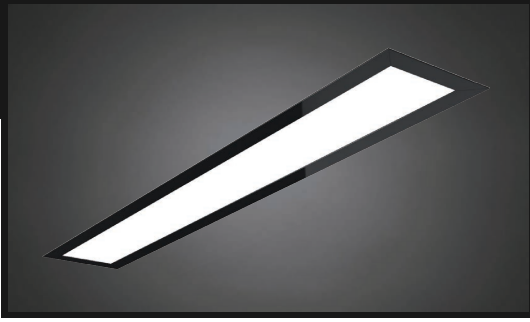


## PN: 680FLRC

<b>APPLICATION</b>	<ul style="list-style-type: none"><li>• RECESSED WALL</li><li>• INDOOR RATED</li></ul>
<b>DIMENSION</b>	<ul style="list-style-type: none"><li>• 24", 48", 72", 96", 120", 144" (61CM, 122CM, 183CM, 244CM, 305CM, 366CM)</li></ul>
<b>ILLUMINATION</b>	<ul style="list-style-type: none"><li>• DIRECT</li><li>• LED 90CRI</li><li>• 2,799 - 17,112 LUMENS</li></ul>
<b>ELECTRICAL</b>	<ul style="list-style-type: none"><li>• 120, 277V AND UNI (120 - 277V)</li><li>• 10kA SURGE SUPPRESSION STANDARD</li></ul>
<b>DIFFUSERS</b>	<ul style="list-style-type: none"><li>• HIGH EFFICIENCY ACRYLIC</li></ul>
<b>MOUNTING</b>	<ul style="list-style-type: none"><li>• MUD FLANGE, CEILING TRIM OR T - BAR</li></ul>
<b>CONSTRUCTION</b>	<ul style="list-style-type: none"><li>• ALUMINUM &amp; STEEL</li></ul>
<b>FINISHES</b>	<ul style="list-style-type: none"><li>• AVAILABLE IN SEVERAL TMS POWDER COATED FINISHES</li><li>• CUSTOM RAL FINISHES AVAILABLE</li></ul>
<b>DIMMING</b>	<ul style="list-style-type: none"><li>• 0 - 10V STANDARD DIMMING (1%)</li></ul>
<b>WEIGHT</b>	<ul style="list-style-type: none"><li>• 35 LBS MAXIMUM</li></ul>



# FLUX CEILING™ RECESSED



PROJECT: \_\_\_\_\_

TYPE: \_\_\_\_\_

QUANTITY: \_\_\_\_\_

## 680FLRC

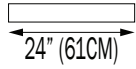
1 2 3 4 5 6 7 8 9

1.	24D	48D	72D	96D	120D	144D	CUS
LENGTH	24"(61CM)	48"(122CM)	72"(183CM)	96"(244CM)	120"(305CM)	144"(366CM)	CUSTOM SIZE (SPECIFY LENGTH)
LED (W)	27W	52W	78W	104W	130W	156W	
LENGTH	2799	5767	8653	11630	14258	17112	
2.	30K		35K		40K		
LED CCT	3000K		3500K		4000K		
3.	120		277		UNI		
VOLTAGE	120V		277V		120 - 227V		
4.	MD		TR		TB		
MOUNTING	MUD FLANGE		CEILING TRIM		T - BAR		
5.	SW			BL			
DIFFUSER	SATIN			BLACK LENS			
6.	F04	F05	F15	F16	F18	RAL	
FINISH	MATTE WHITE	GLOSS WHITE	MATTE BLACK	GLOSS BLACK	SATIN PLATINUM	CUSTOM (SPECIFY)	
7.	---			EMR			
EMERGENCY <sup>1</sup>	NONE			REMOTE			
8.	---		DOS		DS		OS
SENSORS	NONE		DAYLIGHT/OCCUPANCY		DAYLIGHT		OCCUPANCY
9.	DIML						
DIMMING	LED DIMMING (0 - 10V, CURRENT - SINKING)						

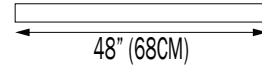
1. 10W AT 90 MINUTES. EMERGENCY (EMR) OPTION ILLUMINATES MAX OF 4 FT.

NOTE: SOME OPTIONS MAY NOT BE COMPATIBLE WITH OTHERS. ALL SPECIFICATIONS ARE SUBJECT TO CHANGE WITHOUT NOTICE. CONTACT TMS LIGHTING FOR UPDATED SPECIFICATIONS.

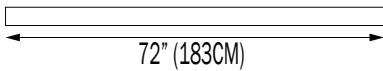
# FLUX CEILING™ RECESSED



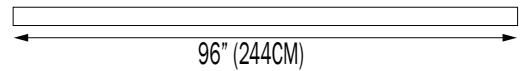
**C24**



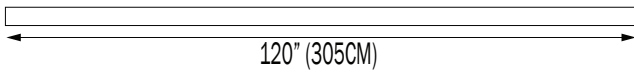
**C48**



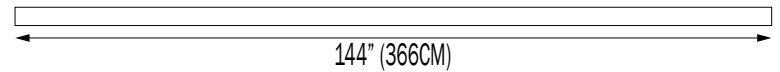
**C72**



**C96**



**C120**

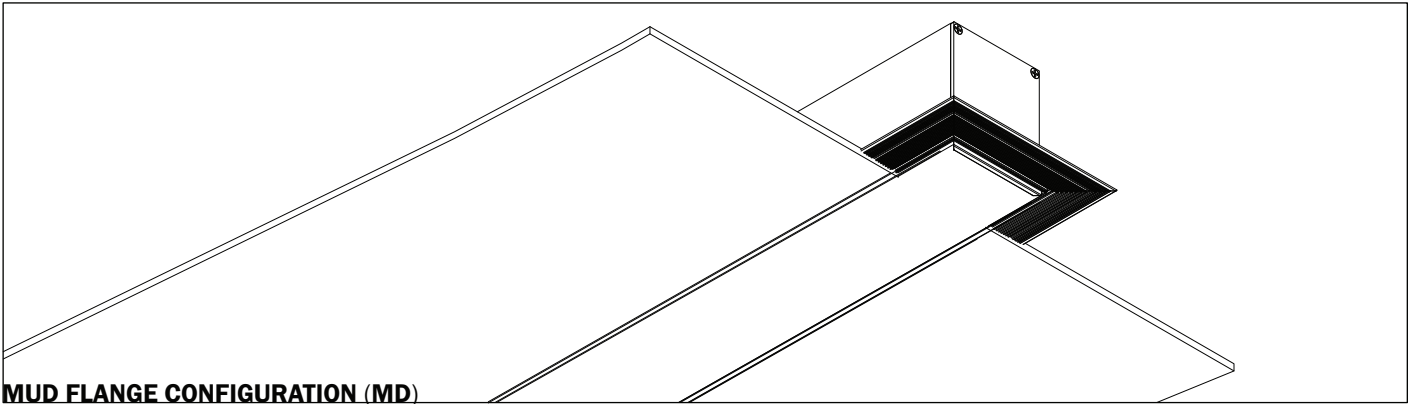


**C144**

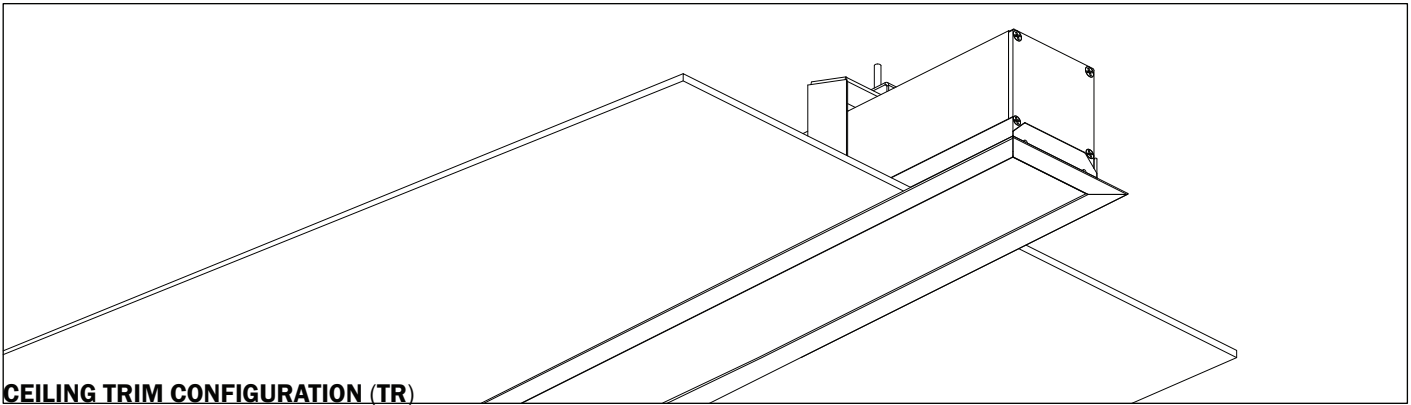


**CUS**

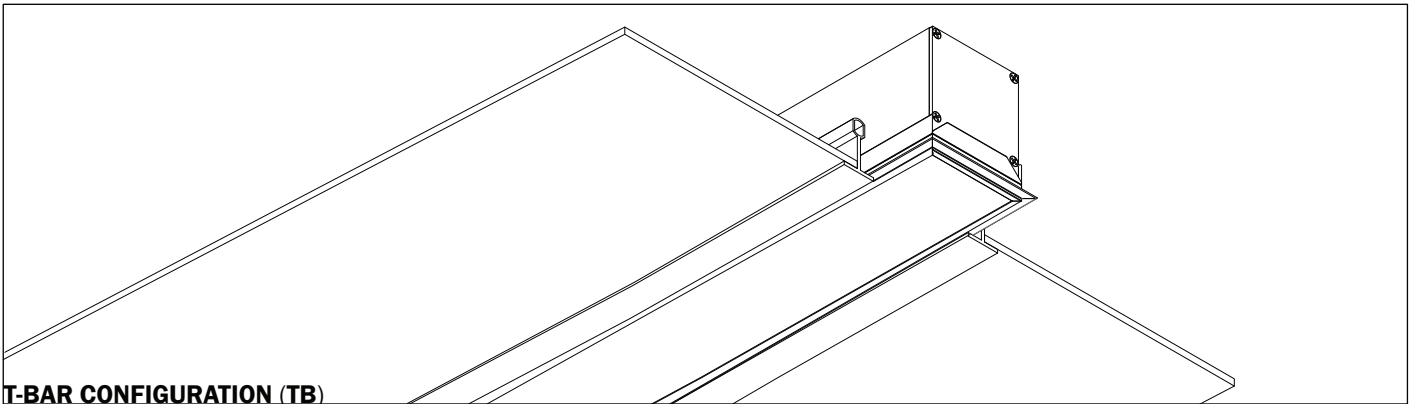
# FLUX CEILING™ RECESSED



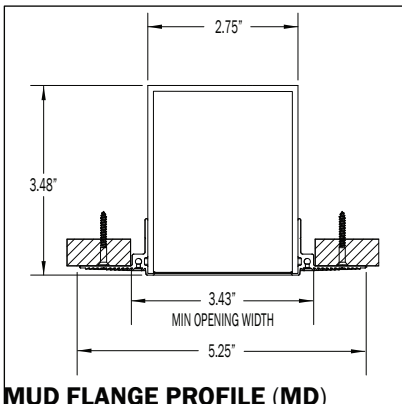
**MUD FLANGE CONFIGURATION (MD)**



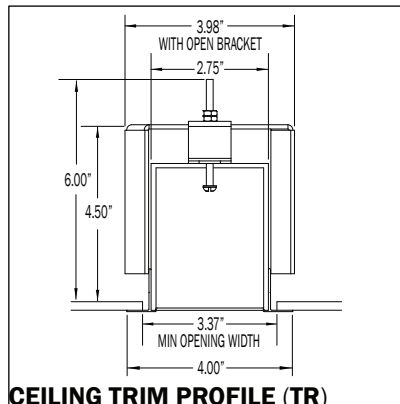
**CEILING TRIM CONFIGURATION (TR)**



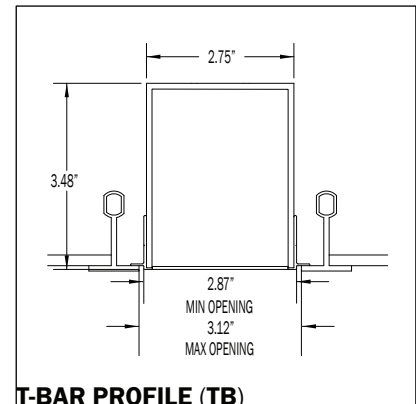
**T-BAR CONFIGURATION (TB)**



**MUD FLANGE PROFILE (MD)**



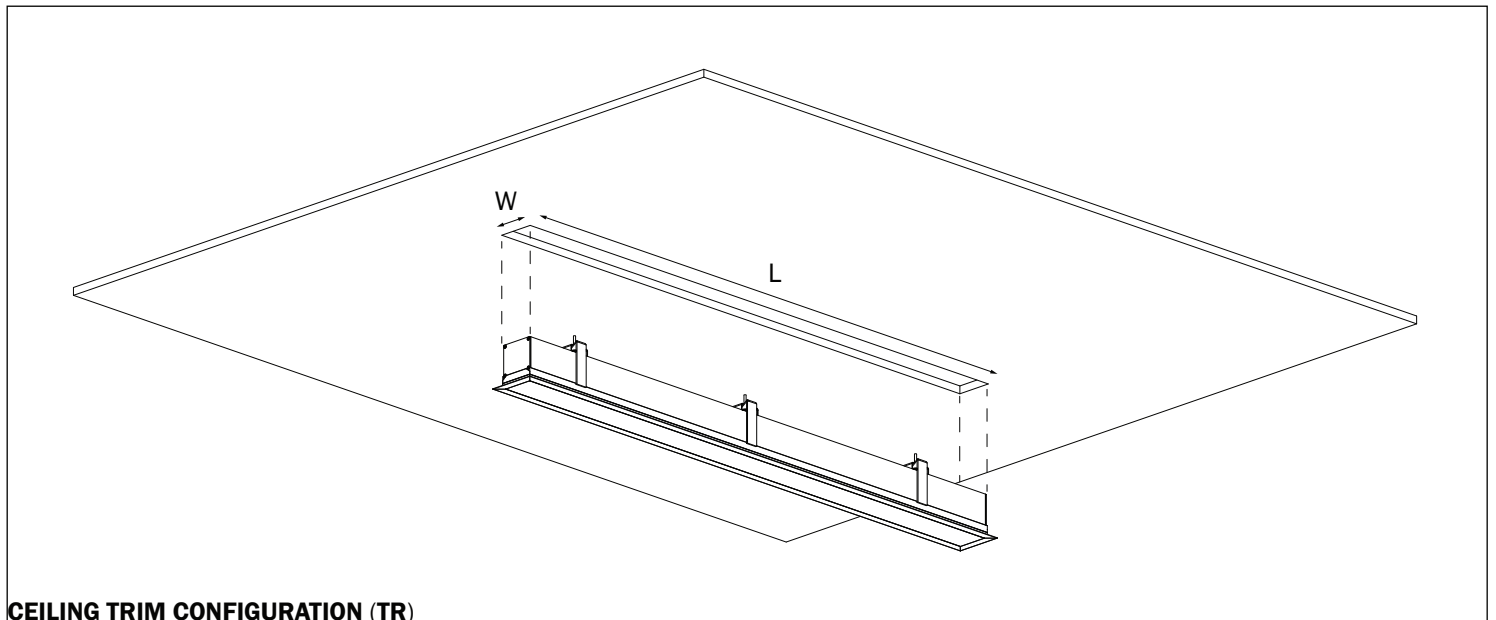
**CEILING TRIM PROFILE (TR)**



**T-BAR PROFILE (TB)**

## TOLERANCES

PN	MUD FLANGE (MD) TOLERANCE (LxW)	CEILING TRIM (TR) TOLERANCE (LxW)
<b>C24</b>	24 - 13/16" x 3 - 7/16"	24 - 1/2" x 3 - 3/8"
<b>C48</b>	48 - 13/16" x 3 - 7/16"	48 - 1/2" x 3 - 3/8"
<b>C72</b>	78 - 13/16" x 3 - 7/16"	72 - 1/2" x 3 - 3/8"
<b>C96</b>	96 - 13/16" x 3 - 7/16"	96 - 1/2" x 3 - 3/8"
<b>C120</b>	120 - 13/16" x 3 - 7/16"	120 - 1/2" x 3 - 3/8"
<b>C144</b>	144 - 13/16" x 3 - 7/16"	144 - 1/2" x 3 - 3/8"



# FLUX CEILING™ RECESSED

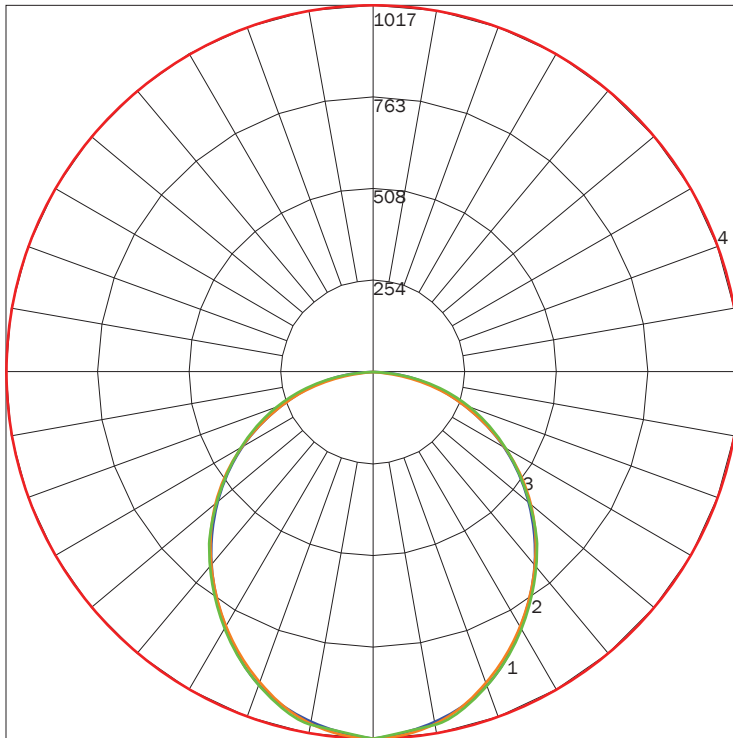
## DIRECT

PN	SIZE (LENGTH)	LUMENS	WATTAGE	MUD FLANGE (MD) WEIGHT	CEILING TRIM (TR) WEIGHT	T - BAR (TB) WEIGHT
680FLRC	W24	2799	27	6 LBS	6 LBS	6 LBS
	W48	5767	52	11 LBS	12 LBS	12 LBS
	W72	8653	78	17 LBS	18 LBS	18 LBS
	W96	11630	104	23 LBS	23 LBS	23 LBS
	W120	14258	130	29 LBS	29 LBS	29 LBS
	W144	17112	156	34 LBS	35 LBS	35 LBS

### IES INDOOR REPORT

PHOTOMETRIC FILENAME : 680FLRC W24 35K F05.IES

### POLAR GRAPH



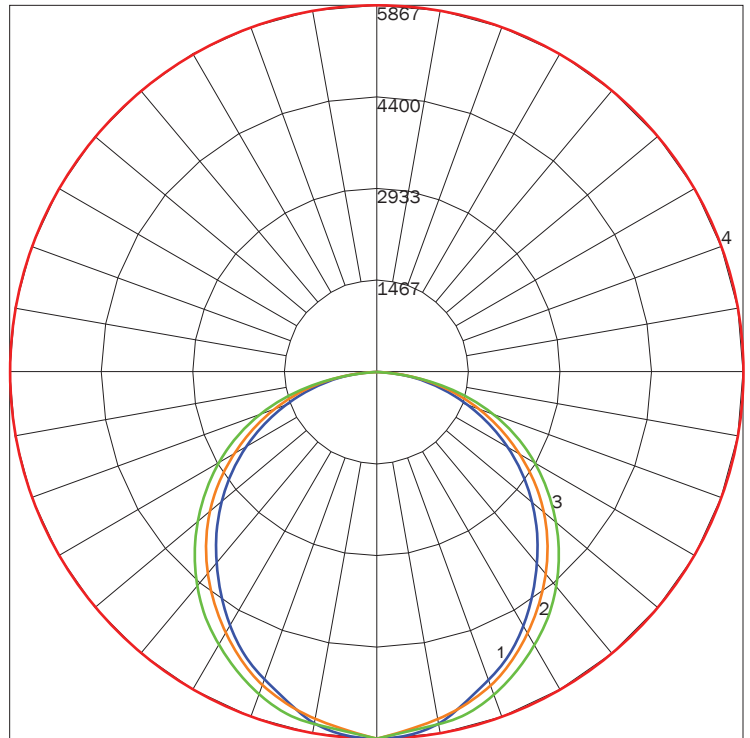
MAXIMUM CANDELA = 1016.78 LOCATED AT HORIZONTAL ANGLE = 0, VERTICAL ANGLE = 0  
 # 1 - VERTICAL PLANE THROUGH HORIZONTAL ANGLES (0 - 180) (THROUGH MAX. CD.)  
 # 2 - VERTICAL PLANE THROUGH HORIZONTAL ANGLES (45 - 225)  
 # 3 - VERTICAL PLANE THROUGH HORIZONTAL ANGLES (90 - 270)  
 # 4 - HORIZONTAL CONE THROUGH VERTICAL ANGLE (0) (THROUGH MAX. CD.)

**LUMINAIRE LUMENS** 2799  
**TOTAL LUMINAIRE EFFICIENCY** 81%  
**LUMINAIRE EFFICACY RATING** 105  
**TOTAL LUMINAIRE WATTS** 27

### IES INDOOR REPORT

PHOTOMETRIC FILENAME : 680FLRC W144 35K F05.IES

### POLAR GRAPH



MAXIMUM CANDELA = 5866.58 LOCATED AT HORIZONTAL ANGLE = 0, VERTICAL ANGLE = 0  
 # 1 - VERTICAL PLANE THROUGH HORIZONTAL ANGLES (0 - 180) (THROUGH MAX. CD.)  
 # 2 - VERTICAL PLANE THROUGH HORIZONTAL ANGLES (45 - 225)  
 # 3 - VERTICAL PLANE THROUGH HORIZONTAL ANGLES (90 - 270)  
 # 4 - HORIZONTAL CONE THROUGH VERTICAL ANGLE (0) (THROUGH MAX. CD.)

**LUMINAIRE LUMENS** 17112  
**TOTAL LUMINAIRE EFFICIENCY** 83%  
**LUMINAIRE EFFICACY RATING** 110  
**TOTAL LUMINAIRE WATTS** 156

# FLUX CEILING™ RECESSED

## AVAILABLE FINISHES

---



**F04**  
MATTE  
WHITE



**F05**  
GLOSS  
WHITE



**F15**  
MATTE  
BLACK



**F16**  
GLOSS  
BLACK



**F18**  
SATIN  
ALUMINUM



**RAL**  
CUSTOM  
COLOR  
(RAL #)

NOTE: DISPLAYED FINISHES DIFFER BETWEEN SCREENS AS WELL AS PRINTERS AND MAY NOT ACCURATELY DEPICT COLOR.