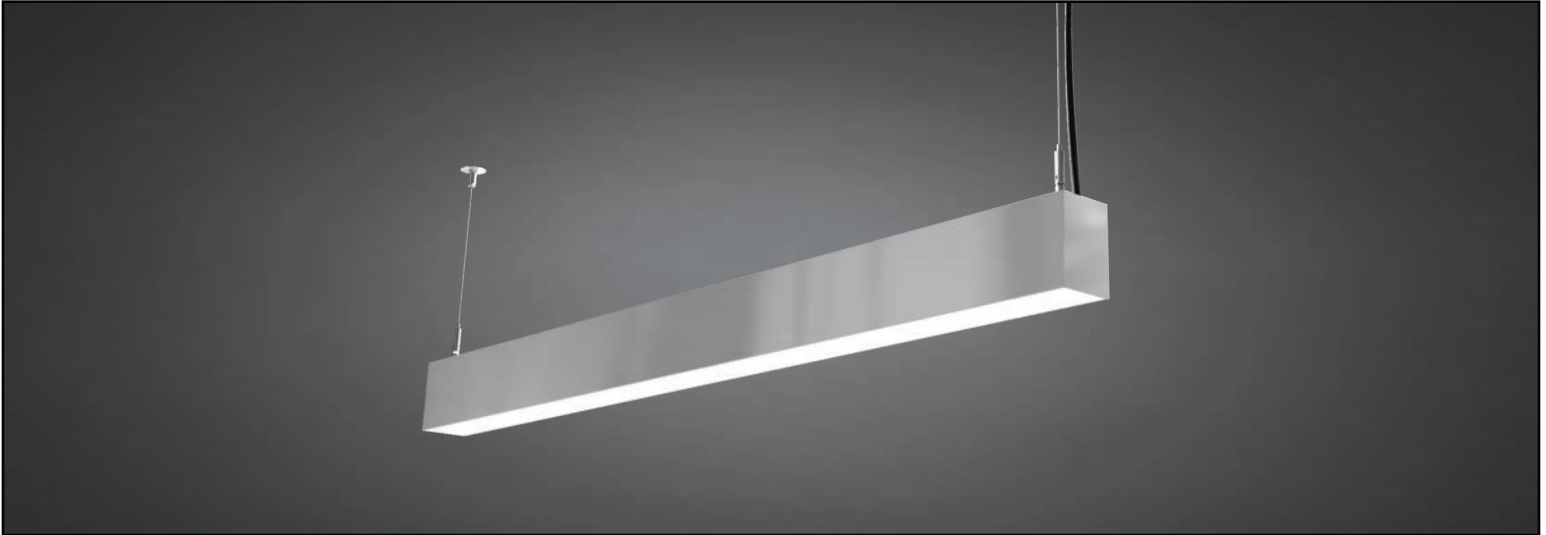


# FLUX DIR/INDIR™ PENDANT

PROJECT: \_\_\_\_\_

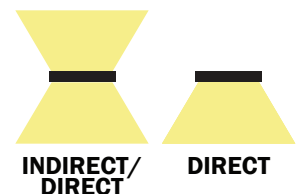
TYPE: \_\_\_\_\_

QUANTITY: \_\_\_\_\_

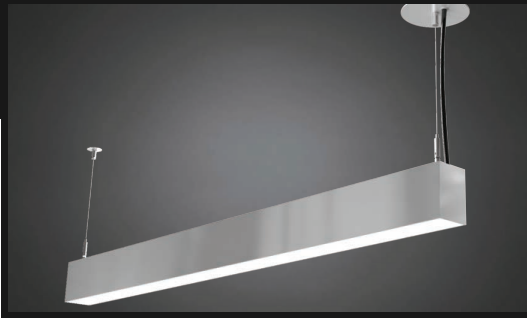


PN: 670FL

<b>APPLICATION</b>	<ul style="list-style-type: none"><li>• PENDANT MOUNT</li><li>• INDOOR RATED</li></ul>
<b>DIMENSION</b>	<ul style="list-style-type: none"><li>• 24", 48", 72", 96", 120", 144" (61CM, 122CM, 183CM, 244CM, 305CM, 366CM)</li><li>• PROFILE: 3"W X 4.3"H (8CM X 11CM)</li></ul>
<b>ILLUMINATION</b>	<ul style="list-style-type: none"><li>• DIRECT OR INDIRECT/DIRECT</li><li>• LED 90CRI</li><li>• 2,799 - 34,856 LUMENS</li></ul>
<b>ELECTRICAL</b>	<ul style="list-style-type: none"><li>• 120 - 277V (347V CONSULT FACTORY)</li><li>• 10kA SURGE SUPPRESSION STANDARD</li></ul>
<b>DIFFUSERS</b>	<ul style="list-style-type: none"><li>• HIGH EFFICIENCY ACRYLIC</li></ul>
<b>MOUNTING</b>	<ul style="list-style-type: none"><li>• 96" (244CM) BLACK OR WHITE DROP CORD WITH AC CABLES</li></ul>
<b>CONSTRUCTION</b>	<ul style="list-style-type: none"><li>• ALUMINUM</li></ul>
<b>FINISHES</b>	<ul style="list-style-type: none"><li>• AVAILABLE SPECIALTY, AND IN SEVERAL TMS POWDER COATED FINISHES</li><li>• CUSTOM RAL FINISHES AVAILABLE</li></ul>
<b>DIMMING</b>	<ul style="list-style-type: none"><li>• 0 - 10V STANDARD DIMMING (1%)</li></ul>



# FLUX DIR/INDIR™ PENDANT



PROJECT: \_\_\_\_\_

TYPE: \_\_\_\_\_

QUANTITY: \_\_\_\_\_

## 670FL

1 2 3 4 5 6 7 8 9 10 11

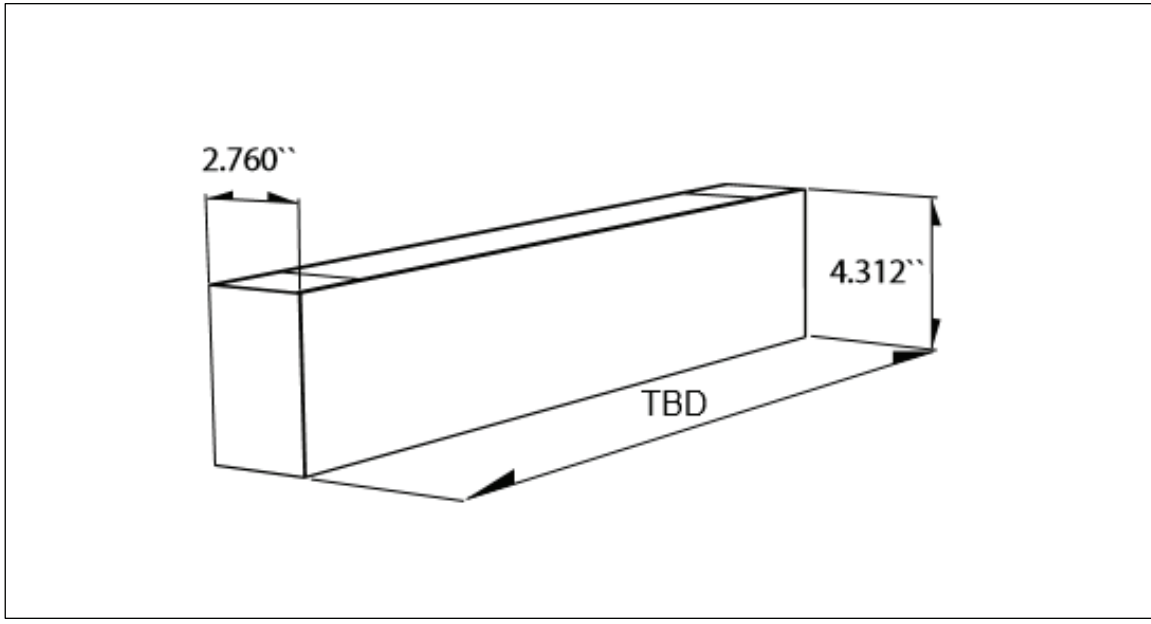
1.	DIRECT					
	24D	48D	72D	96D	120D	144D
LENGTH	24"(61CM) DIRECT	48"(122CM) DIRECT	72"(183CM) DIRECT	96"(244CM) DIRECT	120"(305CM) DIRECT	144"(366CM) DIRECT
LED (W)	27W	52W	78W	104W	130W	156W
LUMENS	2799	5767	8653	11630	14258	17112
	INDIRECT					
	24ID	48ID	72ID	96ID	120ID	144ID
LENGTH	24"(61CM) INDIRECT	48"(122CM) INDIRECT	72"(183CM) INDIRECT	96"(244CM) INDIRECT	120"(305CM) INDIRECT	144"(366CM) DIRECT
LED (W)	53W	104W	156W	207W	259W	311W
LUMENS	5540	11707	17491	23256	29065	34856
2.	30K		35K		40K	
LED CCT	3000K		3500K		4000K	
3.	120		277		UNI	
VOLTAGE	120V		277V		120 - 227V	
4.	S			D		
CIRCUITS	SINGLE			DUAL		
5.	SW			BL		
DIFFUSER	SATIN			BLACK LENS		
6.	ACC			ACT		
MOUNTING	CABLE & CORD			CABLE & CORD FOR T-BAR		
7.	BC			WC		
CORD	BLACK DROP CORD			WHITE DROP CORD		
8.	ADDITIONAL AND PREMIUM FINISHES AVAILABLE. SEE FINISHES CHART	F04	F05	F15	F16	F18
FINISH		MATTE WHITE	GLOSS WHITE	MATTE BLACK	GLOSS BLACK	SATIN ALUMINUM
9.	---			EMR		
EMERGENCY <sup>1</sup>	NONE			REMOTE		
10.	---		DOS	DS	OS	
SENSORS	NONE		DAYLIGHT/OCCUPANCY	DAYLIGHT	OCCUPANCY	
11.	DIML					
DIMMING	LED DIMMING (0 - 10V, CURRENT - SINKING)					

1. 10W AT 90 MINUTES. EMERGENCY (EMR) OPTION ILLUMINATES MAX OF 4 FT.

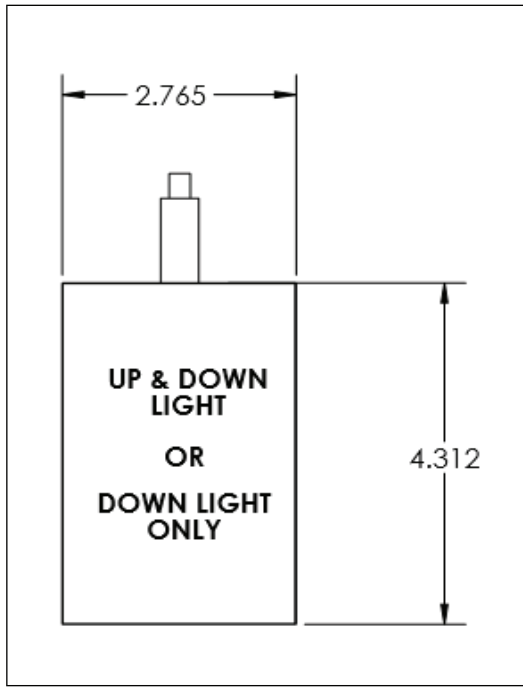
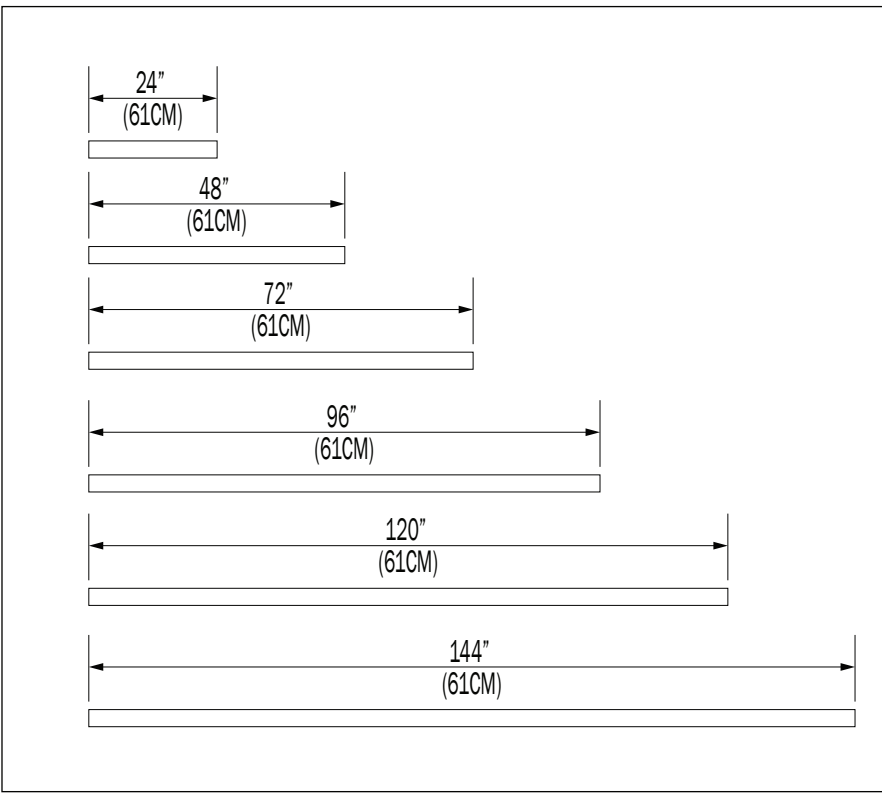
NOTE: SOME OPTIONS MAY NOT BE COMPATIBLE WITH OTHERS. ALL SPECIFICATIONS ARE SUBJECT TO CHANGE WITHOUT NOTICE. CONTACT TMS LIGHTING FOR UPDATED SPECIFICATIONS.

# FLUX DIR/INDIR™ PENDANT

**670FL**



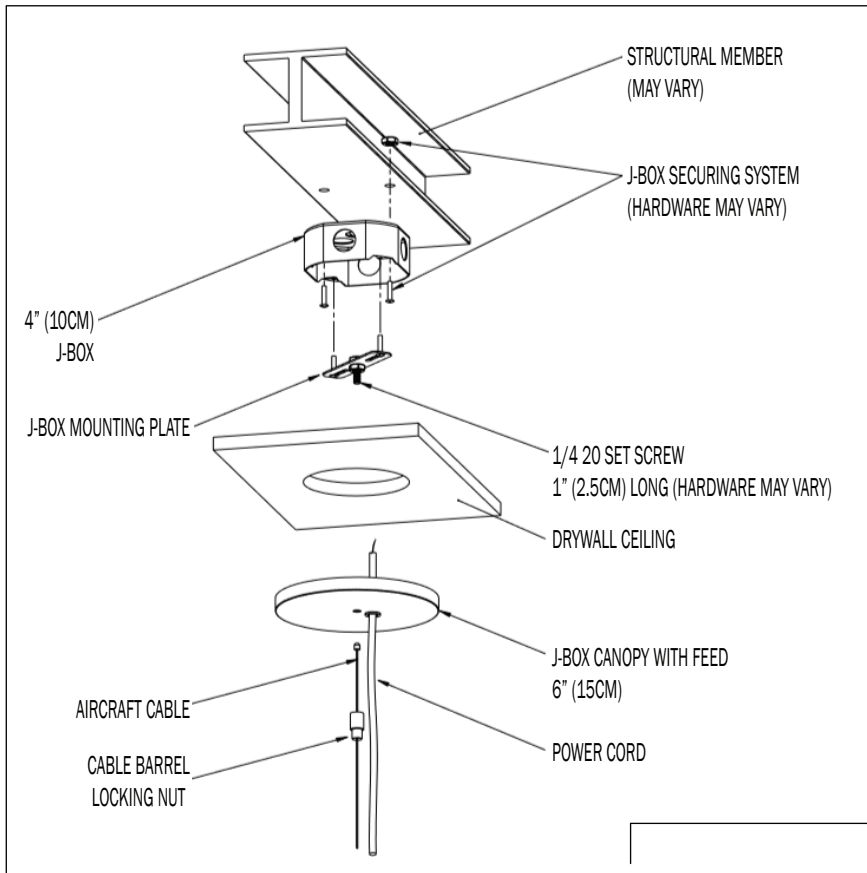
## SIZES (LENGTH)



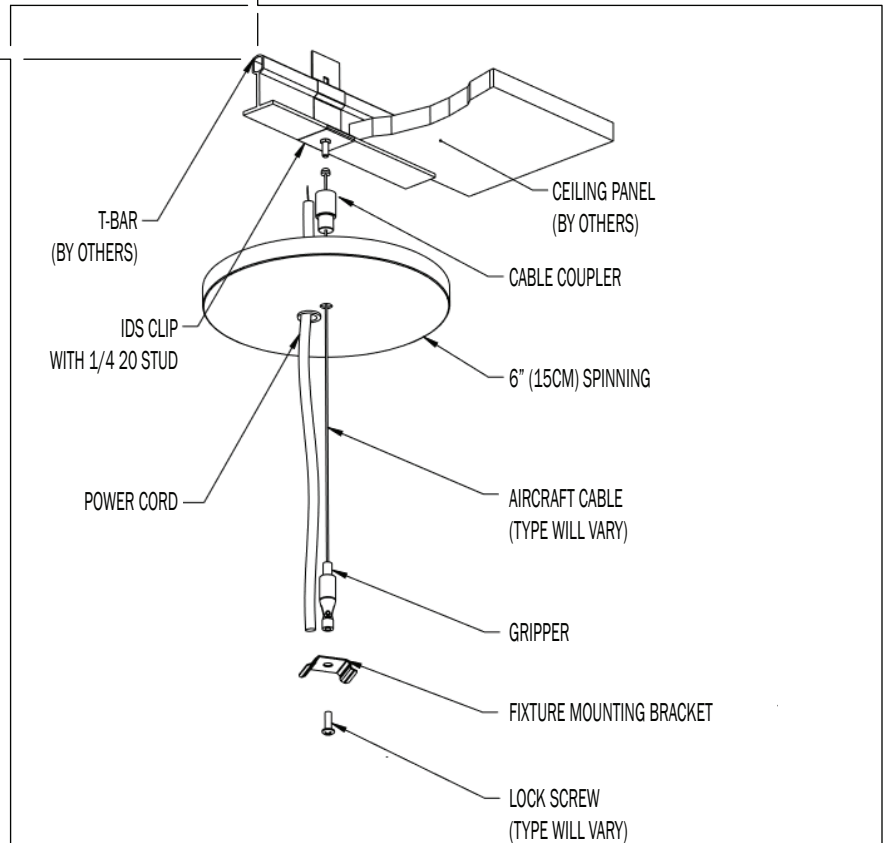
**CUSTOM**  
NOTE: THIS FIXTURE CAN BE CUSTOMIZE. DIMENSION, LAMP TYPES, ENCLOSURE, AND COLOR CAN BE MODIFIED TO SUIT YOUR LIGHTING AND ARCHITECTURAL REQUIREMENTS. CONTACT YOUR LOCAL REPRESENTATIVE FOR MORE DETAILS: <https://tmslighting.com/sales-agents.html>

# FLUX DIR/INDIR™ PENDANT

## STANDARD MOUNTING



## T - BAR MOUNTING



# FLUX DIR/INDIR™ PENDANT

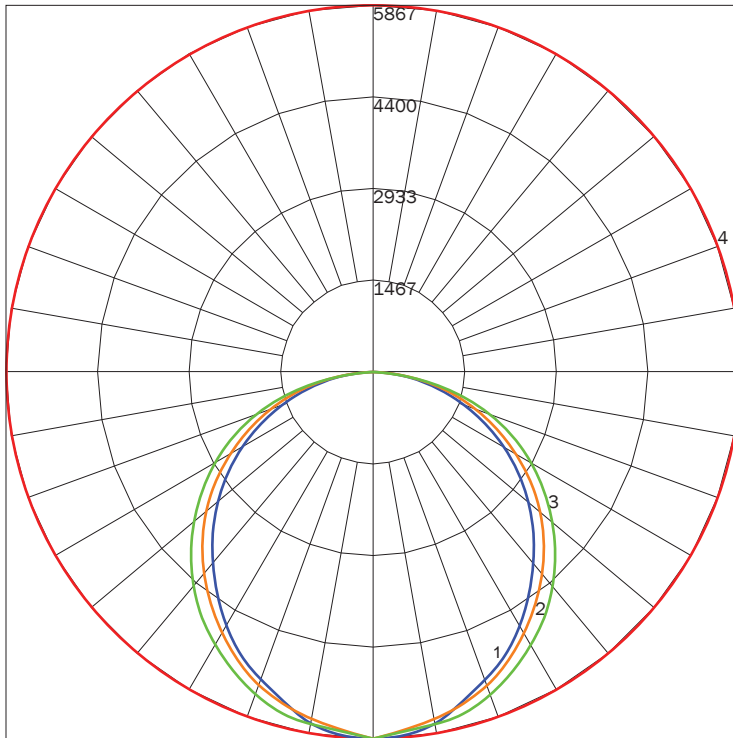
## DIRECT

PN	SIZE (LENGTH)	LUMENS	WATTAGE
670FL	24D	2799	27
	48D	5767	52
	72D	8653	78
	96D	11630	104
	120D	14258	130
	144D	17112	156

### IES INDOOR REPORT

PHOTOMETRIC FILENAME : 670FL D144 35K F05.IES

### POLAR GRAPH



MAXIMUM CANDELA = 5866.58 LOCATED AT HORIZONTAL ANGLE = 0, VERTICAL ANGLE = 0  
 # 1 - VERTICAL PLANE THROUGH HORIZONTAL ANGLES (0 - 180) (THROUGH MAX. CD.)  
 # 2 - VERTICAL PLANE THROUGH HORIZONTAL ANGLES (45 - 225)  
 # 3 - VERTICAL PLANE THROUGH HORIZONTAL ANGLES (90 - 270)  
 # 4 - HORIZONTAL CONE THROUGH VERTICAL ANGLE (0) (THROUGH MAX. CD.)

<b>LUMINAIRE LUMENS</b>	17112
<b>TOTAL LUMINAIRE EFFICIENCY</b>	83%
<b>LUMINAIRE EFFICACY RATING</b>	110
<b>TOTAL LUMINAIRE WATTS</b>	156

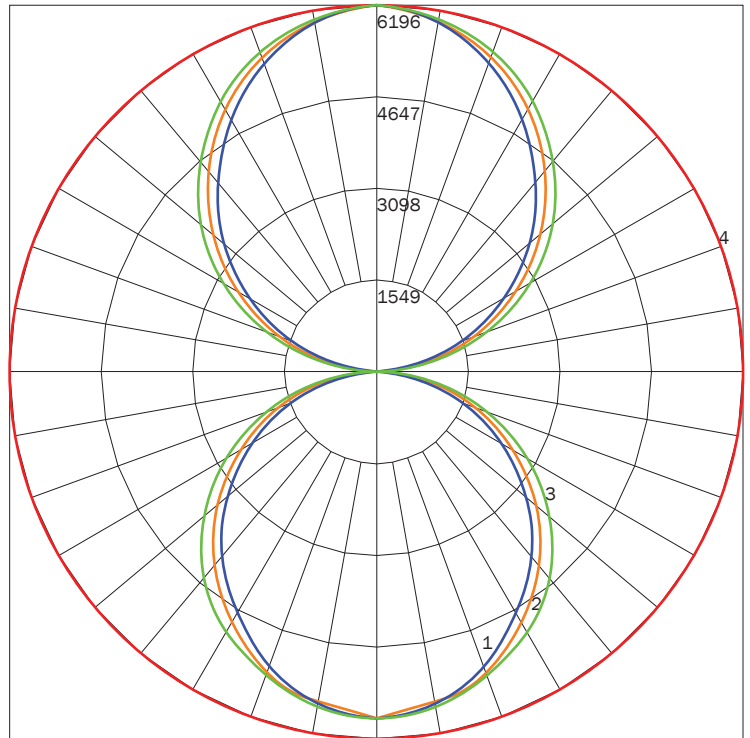
## INDIRECT / DIRECT

PN	SIZE (LENGTH)	LUMENS	WATTAGE
670FL	24ID	5540	53
	48ID	11707	104
	72ID	17491	156
	96ID	23256	207
	120ID	29065	259
	144ID	34856	311

### IES INDOOR REPORT

PHOTOMETRIC FILENAME : 670FL ID144 35K F05.IES

### POLAR GRAPH



MAXIMUM CANDELA = 6196.02 LOCATED AT HORIZONTAL ANGLE = 0, VERTICAL ANGLE = 180  
 # 1 - VERTICAL PLANE THROUGH HORIZONTAL ANGLES (0 - 180) (THROUGH MAX. CD.)  
 # 2 - VERTICAL PLANE THROUGH HORIZONTAL ANGLES (45 - 225)  
 # 3 - VERTICAL PLANE THROUGH HORIZONTAL ANGLES (90 - 270)  
 # 4 - HORIZONTAL CONE THROUGH VERTICAL ANGLE (0) (THROUGH MAX. CD.)

<b>LUMINAIRE LUMENS</b>	34856
<b>TOTAL LUMINAIRE EFFICIENCY</b>	84%
<b>LUMINAIRE EFFICACY RATING</b>	112
<b>TOTAL LUMINAIRE WATTS</b>	311

# FLUX DIR/INDIR™ PENDANT

## FINISHES



**F04**  
MATTE  
WHITE



**F05**  
GLOSS  
WHITE



**F15**  
MATTE  
BLACK



**F16**  
GLOSS  
BLACK



**F18**  
SATIN  
ALUMINUM

## PREMIUM FINISHES



**F31<sup>1</sup>**  
SILVER  
METALLIC



**F09**  
PEWTER



**F40**  
BUBBLE  
PINK



**F10**  
FIRE  
RED



**F41**  
ELECTRIC  
PURPLE



**F08**  
MIDNIGHT  
BLUE



**F39**  
AQUA  
BLUE



**F13**  
FOREST  
GREEN



**F38**  
MEADOW  
GREEN



**F45**  
COPPER  
METALLIC



**F06**  
CLAY  
BROWN



**F11**  
CITRUS  
ORANGE



**F28<sup>1</sup>**  
DARK  
CHAMPAGNE



**F22<sup>1</sup>**  
HARVEST  
GOLD



**F14**  
SUNSHINE  
YELLOW



**F33<sup>1</sup>**  
PYRITE  
BRONZE



**F07**  
ZEUS  
BROWN



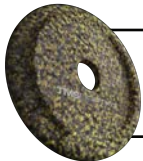
**F21**  
ARCH  
BRONZE



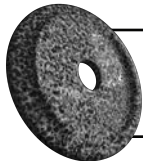
**F32<sup>1</sup>**  
BRONZE  
METALLIC



**F26<sup>1</sup>**  
MELTED  
COPPER



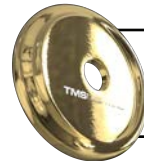
**F25<sup>1</sup>**  
MELTED  
GOLD



**F24<sup>1</sup>**  
MELTED  
PLATINUM



**F44<sup>1</sup>**  
FAUX  
COPPER



**F43<sup>1</sup>**  
FAUX  
GOLD



**F42<sup>1</sup>**  
FAUX  
CHROME



**RAL**  
CUSTOM  
(RAL #)

## PREMIUM MATERIALS



**AN<sup>1 2</sup>**  
ANODIZED

1: FINISHES IS APPLIED TO THE INTERIOR AND EXTERIOR OF THE FIXTURE.  
 2: MATERIALS ARE CONSISTENT (INTERIOR & EXTERIOR). STEMS AND CANOPIES WILL BE F16 GLOSS BLACK.  
 NOTE: ALL FINISHES NOT MARKED WITH NOTATION (1) ARE APPLIED TO THE EXTERIOR ONLY. THE INTERIOR WILL BE F05 GLOSS WHITE.  
 MATTE FINISHES AVAILABLE. CONSULT FACTORY.  
 FINISHES ARE SUBJECT TO AVAILABILITY AND MAY NOT BE APPLICABLE TO ALL FIXTURES OR FOR QUICKSHIP.  
 DISPLAYED FINISHES DIFFER BETWEEN SCREENS AS WELL AS PRINTERS AND MAY NOT ACCURATELY DEPICT COLOR.