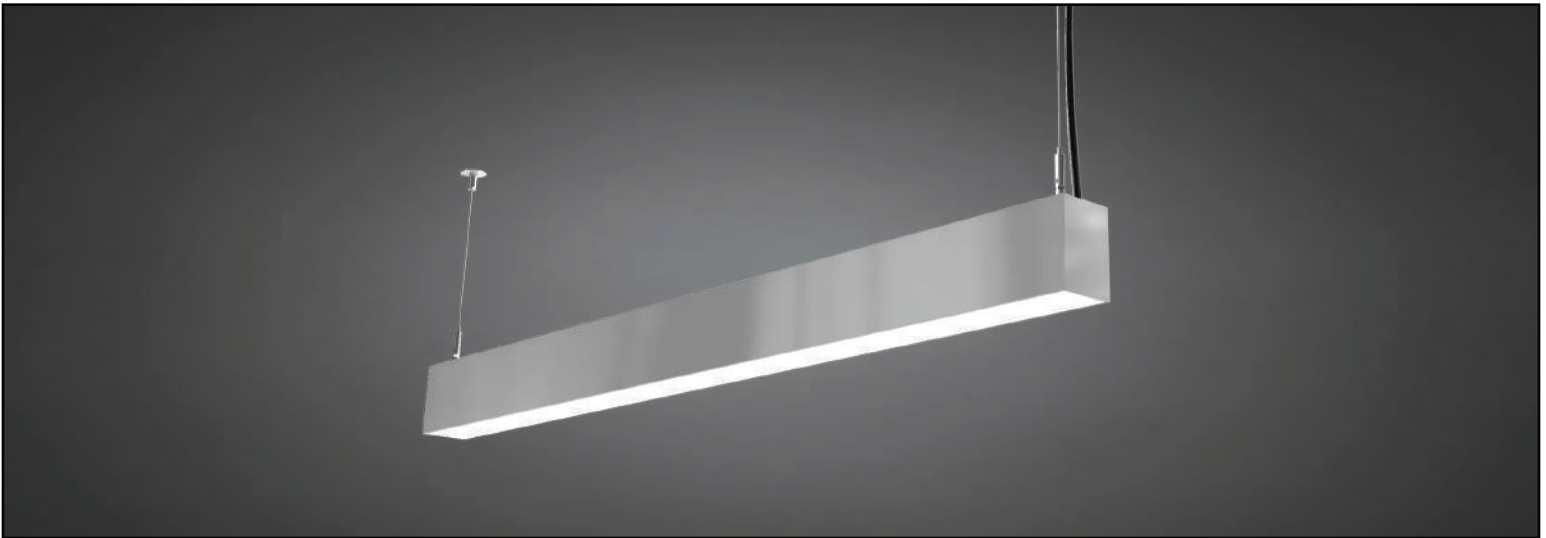


FLUX DIR/INDIR™ PENDANT

PROJECT: _____

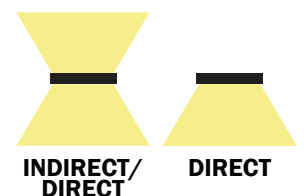
TYPE: _____

QUANTITY: _____

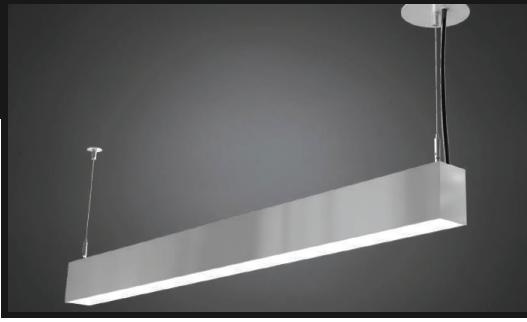


PN: 670FL

APPLICATION	<ul style="list-style-type: none">• PENDANT MOUNT• INDOOR RATED
DIMENSION	<ul style="list-style-type: none">• 24", 48", 72", 96", 120", 144" (61CM, 122CM, 183CM, 244CM, 305CM, 366CM)• PROFILE: 2.756"W X 3.937"H (7CM X 10CM)
ILLUMINATION	<ul style="list-style-type: none">• DIRECT OR INDIRECT/DIRECT• LED 90CRI• 2,799 - 34,856 LUMENS
ELECTRICAL	<ul style="list-style-type: none">• 120 - 277V (347V CONSULT FACTORY)• 10kA SURGE SUPPRESSION STANDARD
DIFFUSERS	<ul style="list-style-type: none">• HIGH EFFICIENCY ACRYLIC
MOUNTING	<ul style="list-style-type: none">• 96" (244CM) BLACK OR WHITE DROP CORD WITH AC CABLES
CONSTRUCTION	<ul style="list-style-type: none">• ALUMINUM
FINISHES	<ul style="list-style-type: none">• AVAILABLE SPECIALTY, AND IN SEVERAL TMS POWDER COATED FINISHES• CUSTOM RAL FINISHES AVAILABLE
DIMMING	<ul style="list-style-type: none">• 0 - 10V STANDARD DIMMING (1%)



FLUX DIR/INDIR™ PENDANT



PROJECT: _____

TYPE: _____

QUANTITY: _____

670FL

1 2 3 4 5 6 7 8 9 10 11

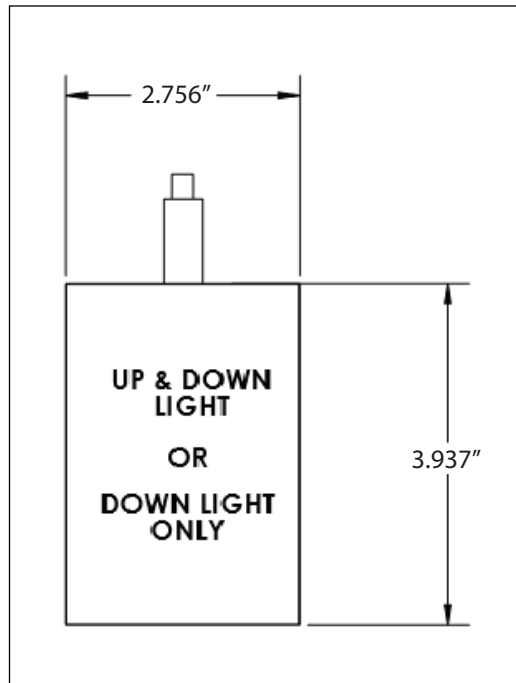
1.	DIRECT						
	24D	48D	72D	96D	120D	144D	
	LENGTH	24"(61CM) DIRECT	48"(122CM) DIRECT	72"(183CM) DIRECT	96"(244CM) DIRECT	120"(305CM) DIRECT	144"(366CM) DIRECT
	LED (W)	27W	52W	78W	104W	130W	156W
LUMENS	2799	5767	8653	11630	14258	17112	
	INDIRECT						
	24ID	48ID	72ID	96ID	120ID	144ID	
	LENGTH	24"(61CM) INDIRECT	48"(122CM) INDIRECT	72"(183CM) INDIRECT	96"(244CM) INDIRECT	120"(305CM) INDIRECT	144"(366CM) DIRECT
	LED (W)	53W	104W	156W	207W	259W	311W
LUMENS	5540	11707	17491	23256	29065	34856	
2.	30K		35K		40K		
	LED CCT	3000K		3500K		4000K	
3.	120		277		UNI		
	VOLTAGE	120V		277V		120 - 227V	
4.	S			D			
	CIRCUITS	SINGLE			DUAL		
5.	SW			BL			
	DIFFUSER	SATIN			BLACK LENS		
6.	ACC			ACT			
	MOUNTING	CABLE & CORD			CABLE & CORD FOR T-BAR		
7.	BC			WC			
	CORD	BLACK DROP CORD			WHITE DROP CORD		
8.	FINISH	ADDITIONAL AND PREMIUM FINISHES AVAILABLE. SEE FINISHES CHART					
		F04	F05	F15	F16	F18	
		MATTE WHITE	GLOSS WHITE	MATTE BLACK	GLOSS BLACK	SATIN ALUMINUM	
9.	---			EMR			
	EMERGENCY ¹	NONE			REMOTE		
10.	---		DOS		DS	OS	
	SENSORS	NONE		DAYLIGHT/OCCUPANCY		DAYLIGHT	OCCUPANCY
11.	DIML						
	DIMMING	LED DIMMING (0 - 10V, CURRENT - SINKING)					

1. 10W AT 90 MINUTES. EMERGENCY (EMR) OPTION ILLUMINATES MAX OF 4 FT.

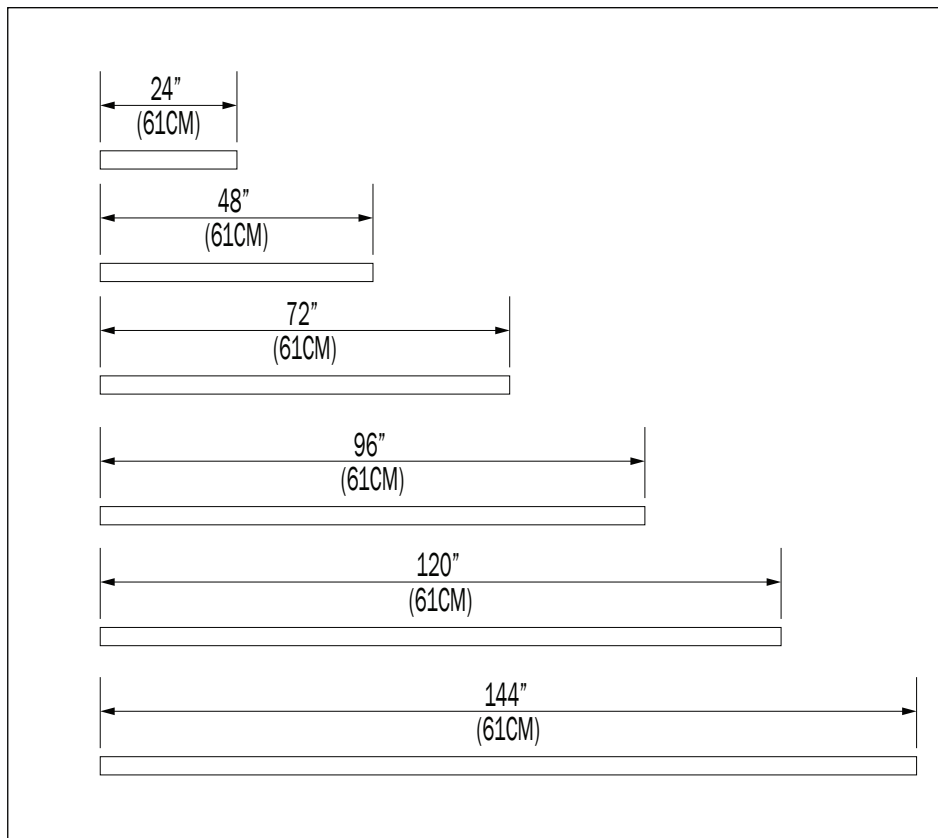
NOTE: SOME OPTIONS MAY NOT BE COMPATIBLE WITH OTHERS. ALL SPECIFICATIONS ARE SUBJECT TO CHANGE WITHOUT NOTICE. CONTACT TMS LIGHTING FOR UPDATED SPECIFICATIONS.

FLUX DIR/INDIR™ PENDANT

670FL



SIZES (LENGTH)



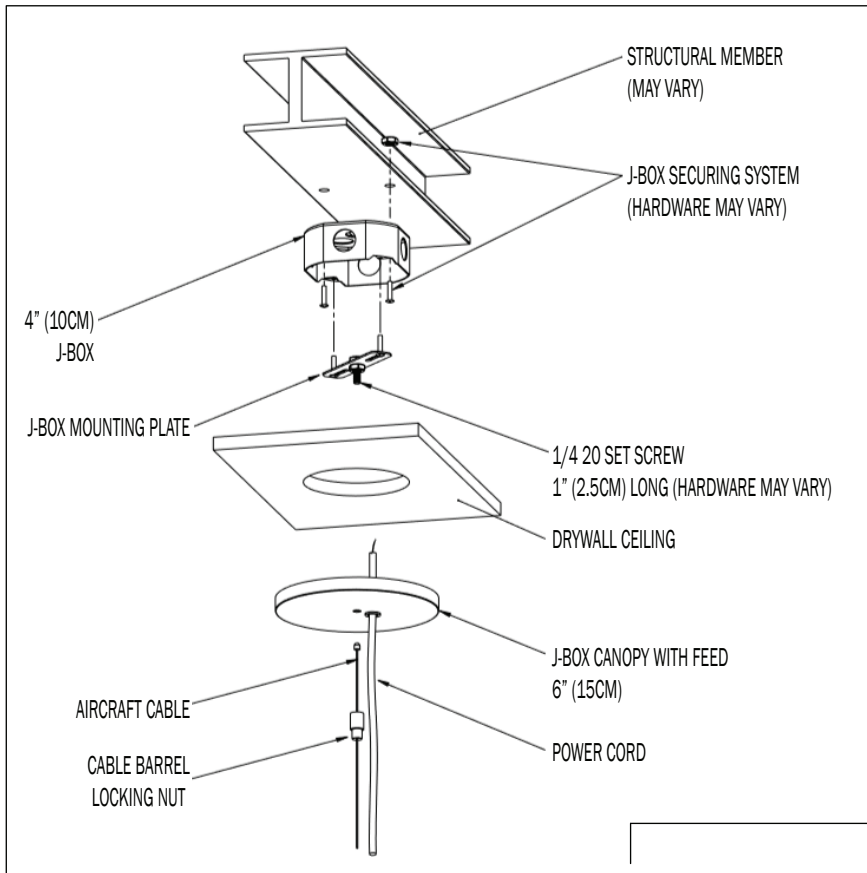
CUSTOM

NOTE: THIS FIXTURE CAN BE CUSTOMIZE. DIMENSION, LAMP TYPES, ENCLOSURE, AND COLOR CAN BE MODIFIED TO SUIT YOUR LIGHTING AND ARCHITECTURAL REQUIREMENTS. CONTACT YOUR LOCAL REPRESENTATIVE FOR MORE DETAILS: <https://tmslighting.com/sales-agents.html>

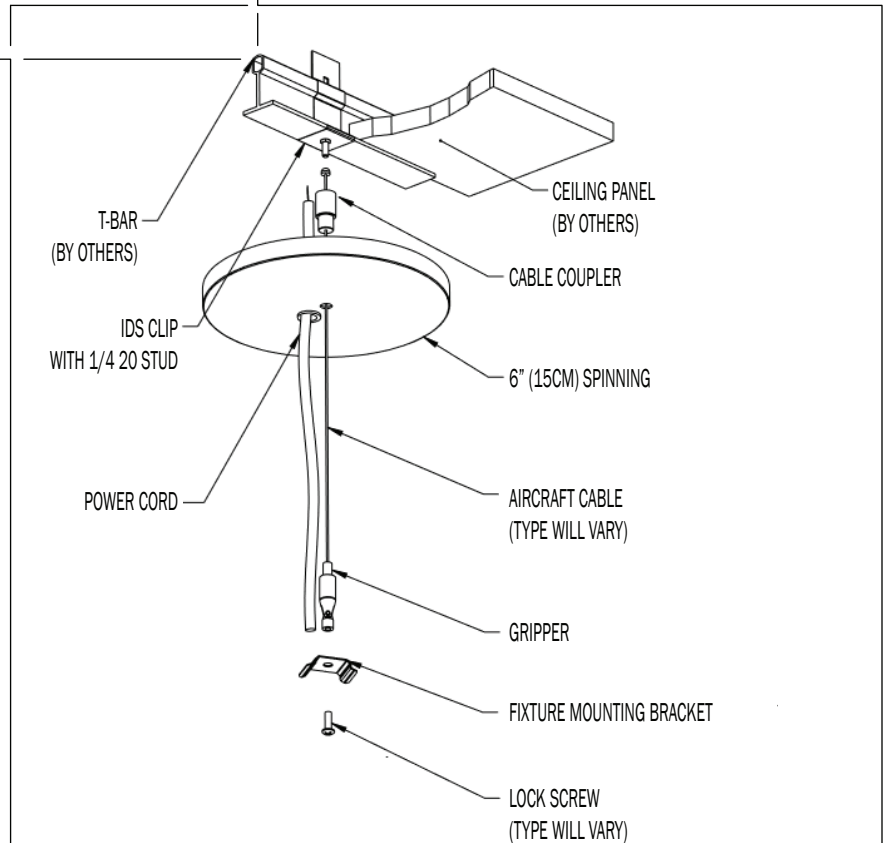
TMSLIGHTING

FLUX DIR/INDIR™ PENDANT

STANDARD MOUNTING



T - BAR MOUNTING



FLUX DIR/INDIR™ PENDANT

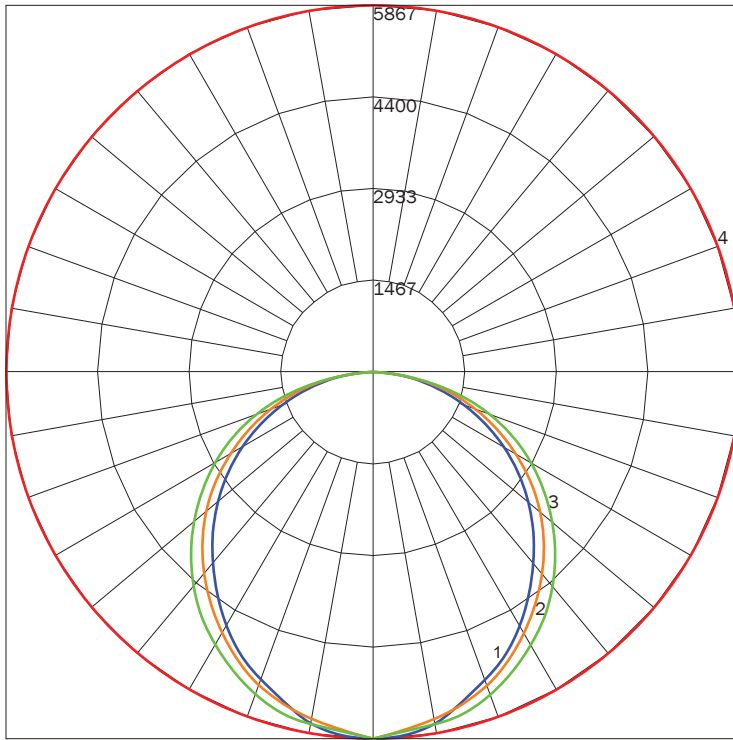
DIRECT

PN	SIZE (LENGTH)	LUMENS	WATTAGE
670FL	24D	2799	27
	48D	5767	52
	72D	8653	78
	96D	11630	104
	120D	14258	130
	144D	17112	156

IES INDOOR REPORT

PHOTOMETRIC FILENAME : 670FL D144 35K F05.IES

POLAR GRAPH



MAXIMUM CANDELA = 5866.58 LOCATED AT HORIZONTAL ANGLE = 0, VERTICAL ANGLE = 0
 # 1 - VERTICAL PLANE THROUGH HORIZONTAL ANGLES (0 - 180) (THROUGH MAX. CD.)
 # 2 - VERTICAL PLANE THROUGH HORIZONTAL ANGLES (45 - 225)
 # 3 - VERTICAL PLANE THROUGH HORIZONTAL ANGLES (90 - 270)
 # 4 - HORIZONTAL CONE THROUGH VERTICAL ANGLE (0) (THROUGH MAX. CD.)

LUMINAIRE LUMENS	17112
TOTAL LUMINAIRE EFFICIENCY	83%
LUMINAIRE EFFICACY RATING	110
TOTAL LUMINAIRE WATTS	156

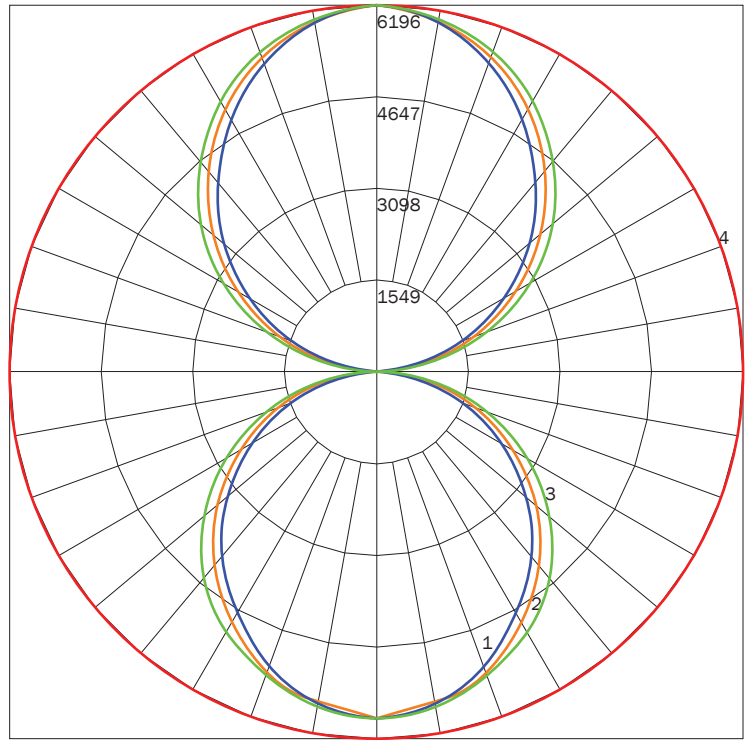
INDIRECT / DIRECT

PN	SIZE (LENGTH)	LUMENS	WATTAGE
670FL	24ID	5540	53
	48ID	11707	104
	72ID	17491	156
	96ID	23256	207
	120ID	29065	259
	144ID	34856	311

IES INDOOR REPORT

PHOTOMETRIC FILENAME : 670FL ID144 35K F05.IES

POLAR GRAPH



MAXIMUM CANDELA = 6196.02 LOCATED AT HORIZONTAL ANGLE = 0, VERTICAL ANGLE = 180
 # 1 - VERTICAL PLANE THROUGH HORIZONTAL ANGLES (0 - 180) (THROUGH MAX. CD.)
 # 2 - VERTICAL PLANE THROUGH HORIZONTAL ANGLES (45 - 225)
 # 3 - VERTICAL PLANE THROUGH HORIZONTAL ANGLES (90 - 270)
 # 4 - HORIZONTAL CONE THROUGH VERTICAL ANGLE (0) (THROUGH MAX. CD.)

LUMINAIRE LUMENS	34856
TOTAL LUMINAIRE EFFICIENCY	84%
LUMINAIRE EFFICACY RATING	112
TOTAL LUMINAIRE WATTS	311

FLUX DIR/INDIR™ PENDANT

FINISHES



F04
MATTE
WHITE



F05
GLOSS
WHITE



F15
MATTE
BLACK



F16
GLOSS
BLACK



F18
SATIN
ALUMINUM

PREMIUM FINISHES



F31¹
SILVER
METALLIC



F09
PEWTER



F40
BUBBLE
PINK



F10
FIRE
RED



F41
ELECTRIC
PURPLE



F08
MIDNIGHT
BLUE



F39
AQUA
BLUE



F13
FOREST
GREEN



F38
MEADOW
GREEN



F45
COPPER
METALLIC



F06
CLAY
BROWN



F11
CITRUS
ORANGE



F28¹
DARK
CHAMPAGNE



F22¹
HARVEST
GOLD



F14
SUNSHINE
YELLOW



F33¹
PYRITE
BRONZE



F07
ZEUS
BROWN



F21
ARCH
BRONZE



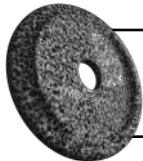
F32¹
BRONZE
METALLIC



F26¹
MELTED
COPPER



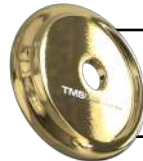
F25¹
MELTED
GOLD



F24¹
MELTED
PLATINUM



F44¹
FAUX
COPPER



F43¹
FAUX
GOLD



F42¹
FAUX
CHROME



RAL
CUSTOM
(RAL #)

PREMIUM MATERIALS



AN^{1 2}
ANODIZED

1: FINISHES IS APPLIED TO THE INTERIOR AND EXTERIOR OF THE FIXTURE.
 2: MATERIALS ARE CONSISTENT (INTERIOR & EXTERIOR). STEMS AND CANOPIES WILL BE F16 GLOSS BLACK.
 NOTE: ALL FINISHES NOT MARKED WITH NOTATION (1) ARE APPLIED TO THE EXTERIOR ONLY. THE INTERIOR WILL BE F05 GLOSS WHITE.
 MATTE FINISHES AVAILABLE. CONSULT FACTORY.
 FINISHES ARE SUBJECT TO AVAILABILITY AND MAY NOT BE APPLICABLE TO ALL FIXTURES OR FOR QUICKSHIP.
 DISPLAYED FINISHES DIFFER BETWEEN SCREENS AS WELL AS PRINTERS AND MAY NOT ACCURATELY DEPICT COLOR.