

# FLIRE CEILING™ RECESSED

PROJECT: \_\_\_\_\_

TYPE: \_\_\_\_\_

QUANTITY: \_\_\_\_\_

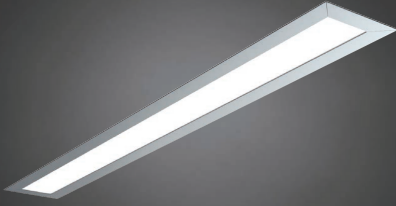


## PN: 570FLRC

|                     |   |
|---------------------|---|
| <b>APPLICATION</b>  | <ul style="list-style-type: none"><li>• RECESSED WALL</li><li>• INDOOR RATED</li></ul>  |
| <b>DIMENSION</b>    | <ul style="list-style-type: none"><li>• 24", 48", 72", 96", 120", 144"<br/>(61CM, 122CM, 183CM, 244CM, 305CM, 366CM)</li></ul>            |
| <b>ILLUMINATION</b> | <ul style="list-style-type: none"><li>• DIRECT</li><li>• LED 90CRI</li><li>• 1,409 - 8,269 LUMENS</li></ul>                               |
| <b>ELECTRICAL</b>   | <ul style="list-style-type: none"><li>• 120, 277V AND UNI (120 - 277V)</li><li>• 10kA SURGE SUPPRESSION STANDARD</li></ul>                |
| <b>DIFFUSERS</b>    | <ul style="list-style-type: none"><li>• HIGH EFFICIENCY ACRYLIC</li></ul>   |
| <b>MOUNTING</b>     | <ul style="list-style-type: none"><li>• MUD FLANGE, CEILING TRIM OR T - BAR</li></ul>   |
| <b>CONSTRUCTION</b> | <ul style="list-style-type: none"><li>• ALUMINUM &amp; STEEL</li></ul>  |
| <b>FINISHES</b>     | <ul style="list-style-type: none"><li>• AVAILABLE IN SEVERAL TMS POWDER COATED FINISHES</li><li>• CUSTOM RAL FINISHES AVAILABLE</li></ul> |
| <b>DIMMING</b>      | <ul style="list-style-type: none"><li>• 0 - 10V STANDARD DIMMING (1%)</li></ul>   |
| <b>WEIGHT</b>       | <ul style="list-style-type: none"><li>• 30 LBS MAXIMUM</li></ul>  |



# FLIRE CEILING™ RECESSED



PROJECT: \_\_\_\_\_

TYPE: \_\_\_\_\_

QUANTITY: \_\_\_\_\_

## 570FLRC

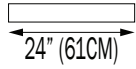
1      2      3      4      5      6      7      8      9

| 1.                     | C24                                      | C48         | C72                | C96         | C120           | C144             | CUS                                     |
|------------------------|--|-------------|--------------------|-------------|----------------|------------------|---|
| LENGTH                 | 24"(61CM)                                | 48"(122CM)  | 72"(183CM)         | 96"(244CM)  | 120"(305CM)    | 144"(366CM)      | <b>CUSTOM SIZE<br/>(SPECIFY LENGTH)</b> |
| LED (W)                | 27W                                      | 52W         | 78W                | 104W        | 130W           | 156W             |   |
| LENGTH                 | 2799                                     | 5767        | 8653               | 11630       | 14258          | 17112            |   |
| 2.                     | <b>30K</b>                               |             | <b>35K</b>         |             | <b>40K</b>     |                  |   |
| LED CCT                | 3000K                                    |             | 3500K              |             | 4000K          |                  |   |
| 3.                     | <b>120</b>                               |             | <b>277</b>         |             | <b>UNI</b>     |                  |   |
| VOLTAGE                | 120V                                     |             | 277V               |             | 120 - 227V     |                  |   |
| 4.                     | <b>MD</b>                                |             | <b>TR</b>          |             | <b>TB</b>      |                  |   |
| MOUNTING               | MUD FLANGE                               |             | WALL TRIM          |             | T - BAR        |                  |   |
| 5.                     | <b>SW</b>                                |             |                    | <b>BL</b>   |                |                  |   |
| DIFFUSER               | SATIN                                    |             |                    | BLACK LENS  |                |                  |   |
| 6.                     | F04                                      | F05         | F15                | F16         | F18            | RAL              |   |
| FINISH                 | MATTE WHITE                              | GLOSS WHITE | MATTE BLACK        | GLOSS BLACK | SATIN PLATINUM | CUSTOM (SPECIFY) |   |
| 7.                     | ---                                      |             |                    | <b>EMR</b>  |                |                  |   |
| EMERGENCY <sup>1</sup> | NONE                                     |             |                    | REMOTE      |                |                  |   |
| 8.                     | ---                                      |             | <b>DOS</b>         |             | <b>DS</b>      |                  | <b>OS</b>                               |
| SENSORS                | NONE                                     |             | DAYLIGHT/OCCUPANCY |             | DAYLIGHT       |                  | OCCUPANCY                               |
| 9.                     | <b>DIML</b>                              |             |                    |             |                |                  |   |
| DIMMING                | LED DIMMING (0 - 10V, CURRENT - SINKING) |             |                    |             |                |                  |   |

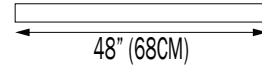
1. 10W AT 90 MINUTES. EMERGENCY (EMR) OPTION ILLUMINATES MAX OF 4 FT.

NOTE: SOME OPTIONS MAY NOT BE COMPATIBLE WITH OTHERS. ALL SPECIFICATIONS ARE SUBJECT TO CHANGE WITHOUT NOTICE. CONTACT TMS LIGHTING FOR UPDATED SPECIFICATIONS.

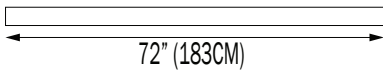
# FLIRE CEILING™ RECESSED



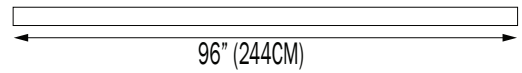
**C24**



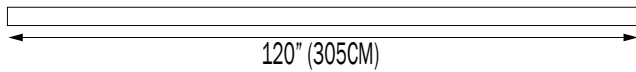
**C48**



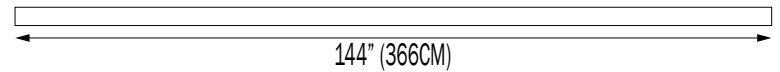
**C72**



**C96**



**C120**

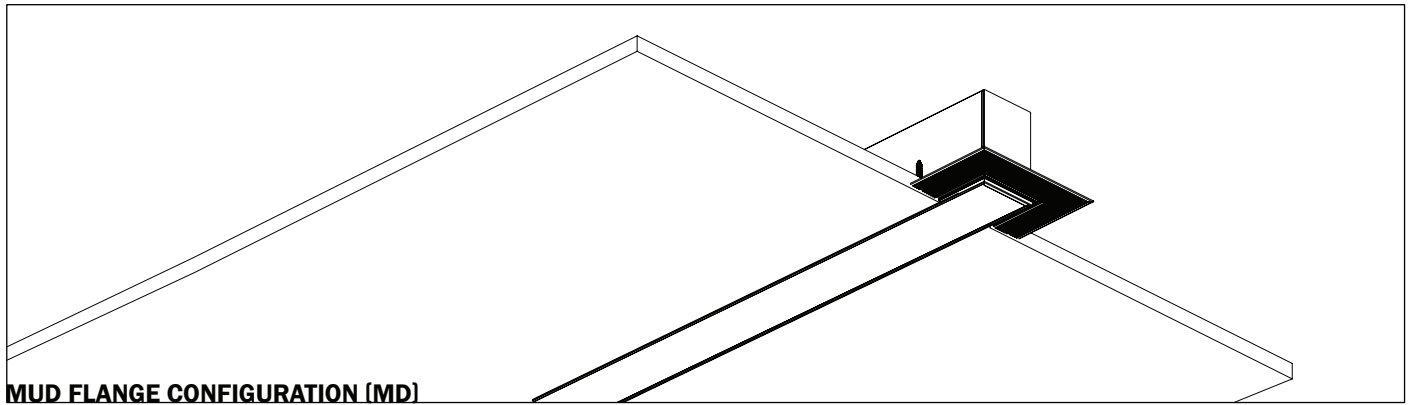


**C144**

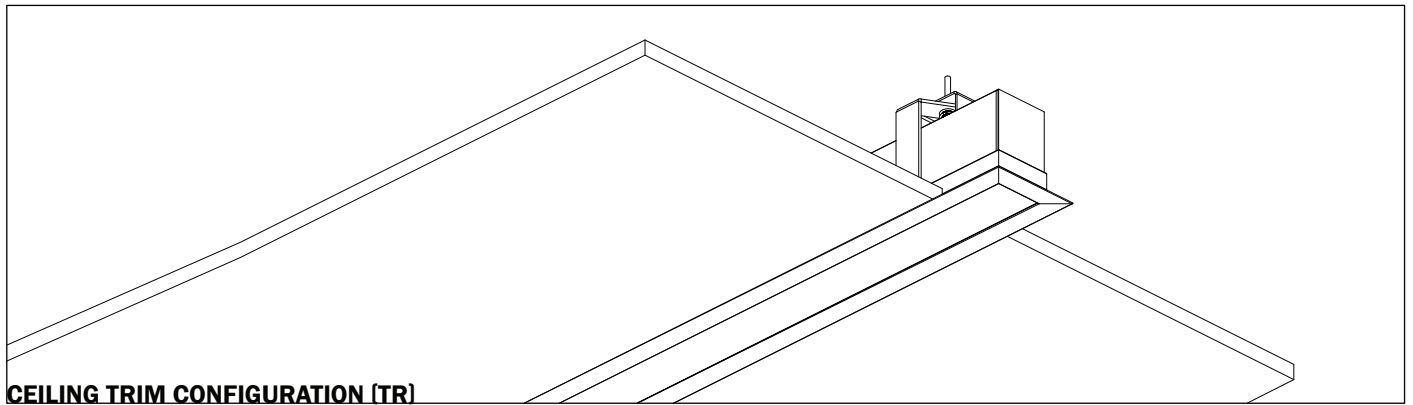


**CUS**

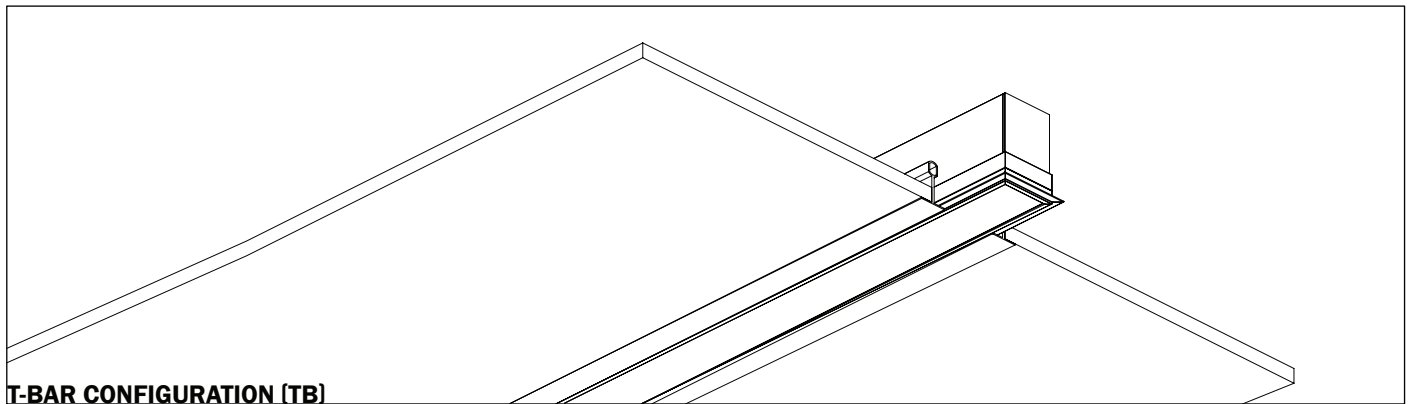
# FLIRE CEILING™ RECESSED



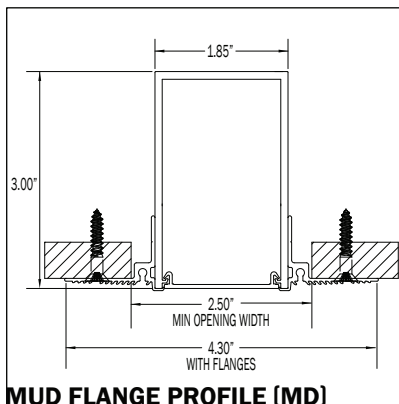
**MUD FLANGE CONFIGURATION (MD)**



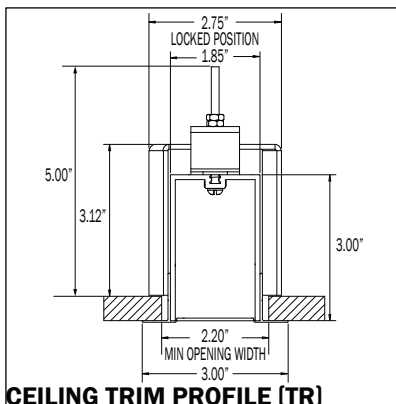
**CEILING TRIM CONFIGURATION (TR)**



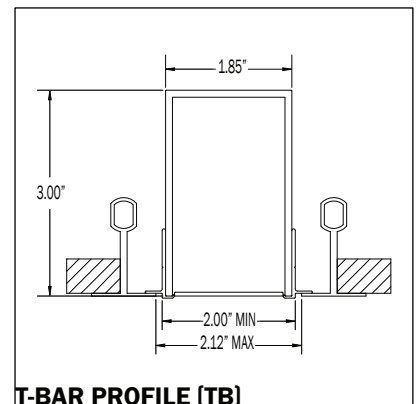
**T-BAR CONFIGURATION (TB)**



**MUD FLANGE PROFILE (MD)**



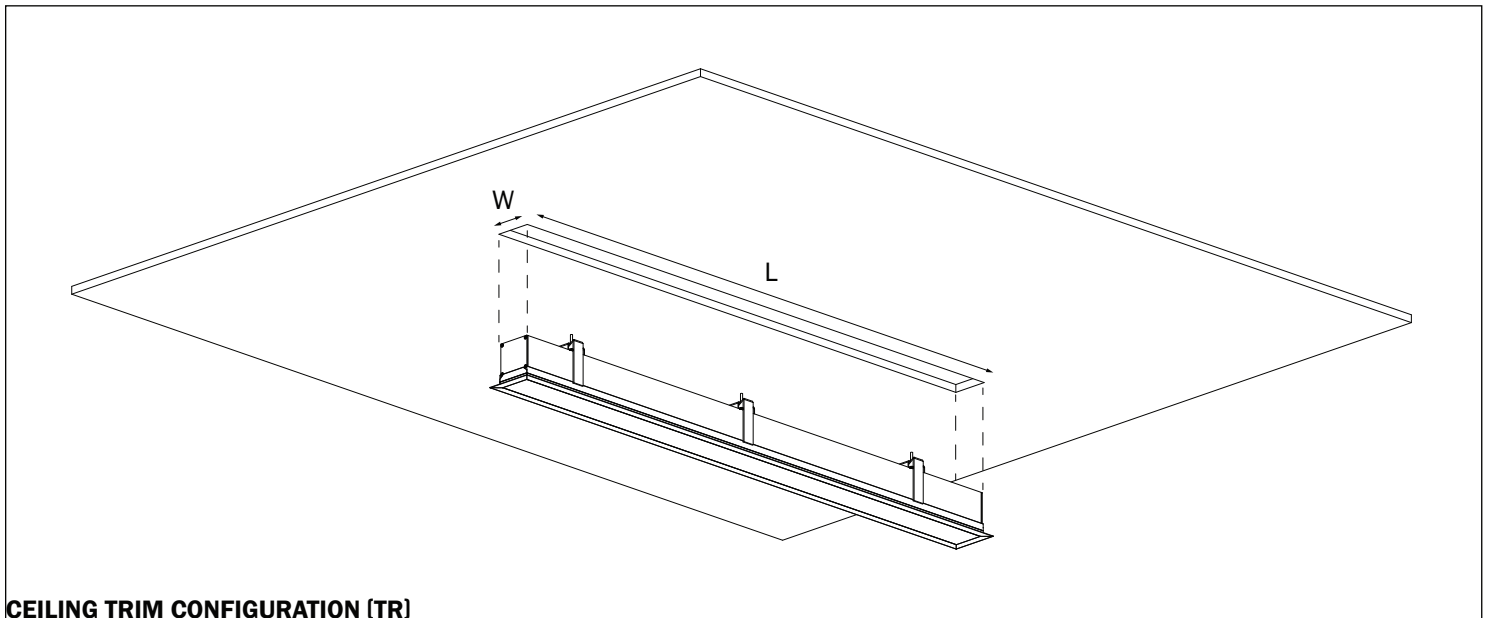
**CEILING TRIM PROFILE (TR)**



**T-BAR PROFILE (TB)**

## TOLERANCES

| PN          | MUD FLANGE (MD) TOLERANCE (LxW) | WALL TRIM (TR) TOLERANCE (LxW) |
|-------------|---------------------------------|--------------------------------|
| <b>C24</b>  | 24 - 13/16" x 2 - 1/2"          | 24 - 1/2" x 2 - 13/64"         |
| <b>C48</b>  | 48 - 13/16" x 2 - 1/2"          | 48 - 1/2" x 2 - 13/64"         |
| <b>C72</b>  | 78 - 13/16" x 2 - 1/2"          | 72 - 1/2" x 2 - 13/64"         |
| <b>C96</b>  | 96 - 13/16" x 2 - 1/2"          | 96 - 1/2" x 2 - 13/64"         |
| <b>C120</b> | 120 - 13/16" x 2 - 1/2"         | 120 - 1/2" x 2 - 13/64"        |
| <b>C144</b> | 144 - 13/16" x 2 - 1/2"         | 144 - 1/2" x 2 - 13/64"        |



# FLIRE CEILING™ RECESSED

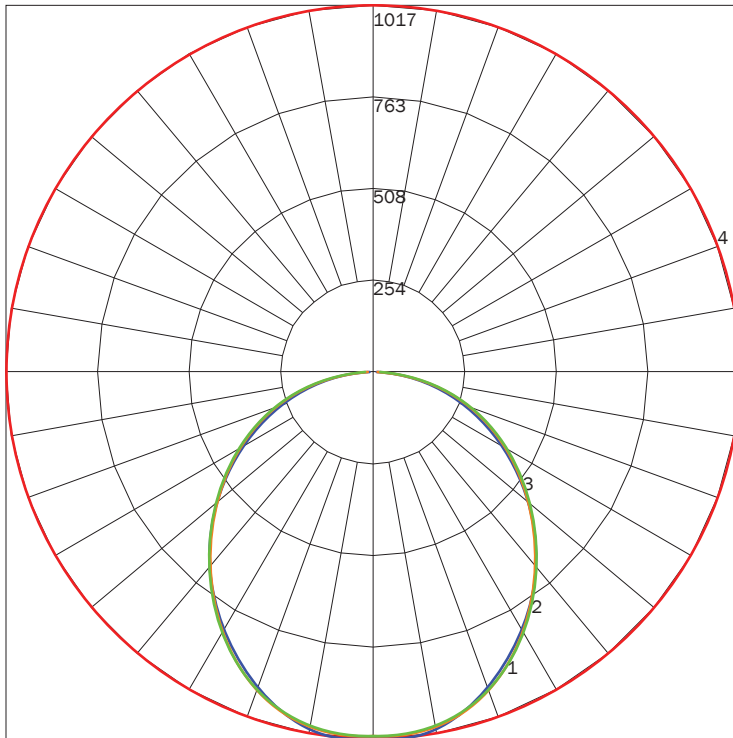
## DIRECT

| PN      | SIZE (LENGTH) | LUMENS | WATTAGE | MUD FLANGE (MD)<br>WEIGHT | CEILING TRIM (TR)<br>WEIGHT | T - BAR (TB)<br>WEIGHT |
|---------|---------------|--------|---------|---------------------------|-----------------------------|------------------------|
| 570FLRC | C24           | 1409   | 13      | 5 LBS                     | 5 LBS                       | 5 LBS                  |
|         | C48           | 2781   | 26      | 10 LBS                    | 10 LBS                      | 10 LBS                 |
|         | C72           | 4179   | 39      | 15 LBS                    | 15 LBS                      | 15 LBS                 |
|         | C96           | 5663   | 52      | 20 LBS                    | 20 LBS                      | 20 LBS                 |
|         | C120          | 6855   | 65      | 25 LBS                    | 25 LBS                      | 25 LBS                 |
|         | C144          | 8269   | 78      | 30 LBS                    | 30 LBS                      | 30 LBS                 |

### IES INDOOR REPORT

PHOTOMETRIC FILENAME : 570FLRW W24 35K F05.IES

### POLAR GRAPH



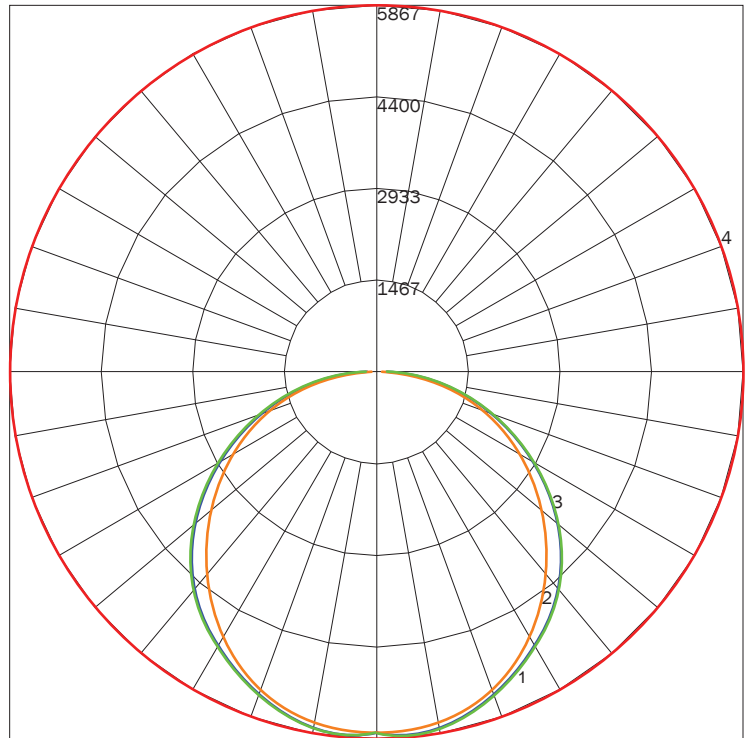
MAXIMUM CANDELA = 497.14 LOCATED AT HORIZONTAL ANGLE = 0, VERTICAL ANGLE = 5  
 # 1 - VERTICAL PLANE THROUGH HORIZONTAL ANGLES (0 - 180) (THROUGH MAX. CD.)  
 # 2 - VERTICAL PLANE THROUGH HORIZONTAL ANGLES (45 - 225)  
 # 3 - VERTICAL PLANE THROUGH HORIZONTAL ANGLES (90 - 270)  
 # 4 - HORIZONTAL CONE THROUGH VERTICAL ANGLE (0) (THROUGH MAX. CD.)

**LUMINAIRE LUMENS** 1381  
**TOTAL LUMINAIRE EFFICIENCY** 80%  
**LUMINAIRE EFFICACY RATING** 107  
**TOTAL LUMINAIRE WATTS** 13

### IES INDOOR REPORT

PHOTOMETRIC FILENAME : 570FLRW W144 35K F05.IES

### POLAR GRAPH



MAXIMUM CANDELA = 2805.12 LOCATED AT HORIZONTAL ANGLE = 90, VERTICAL ANGLE = 5  
 # 1 - VERTICAL PLANE THROUGH HORIZONTAL ANGLES (90 - 270) (THROUGH MAX. CD.)  
 # 2 - VERTICAL PLANE THROUGH HORIZONTAL ANGLES (45 - 225)  
 # 3 - VERTICAL PLANE THROUGH HORIZONTAL ANGLES (90 - 270)  
 # 4 - HORIZONTAL CONE THROUGH VERTICAL ANGLE (5) (THROUGH MAX. CD.)

**LUMINAIRE LUMENS** 8269  
**TOTAL LUMINAIRE EFFICIENCY** 80%  
**LUMINAIRE EFFICACY RATING** 106  
**TOTAL LUMINAIRE WATTS** 78

# FLIRE CEILING™ RECESSED

## AVAILABLE FINISHES

---



**F04**  
MATTE  
WHITE



**F05**  
GLOSS  
WHITE



**F15**  
MATTE  
BLACK



**F16**  
GLOSS  
BLACK



**F18**  
SATIN  
ALUMINUM



**RAL**  
CUSTOM  
COLOR  
(RAL #)

NOTE: DISPLAYED FINISHES DIFFER BETWEEN SCREENS AS WELL AS PRINTERS AND MAY NOT ACCURATELY DEPICT COLOR.