

# FLIRE DIRECT™ PENDANT

PROJECT: \_\_\_\_\_

TYPE: \_\_\_\_\_

QUANTITY: \_\_\_\_\_

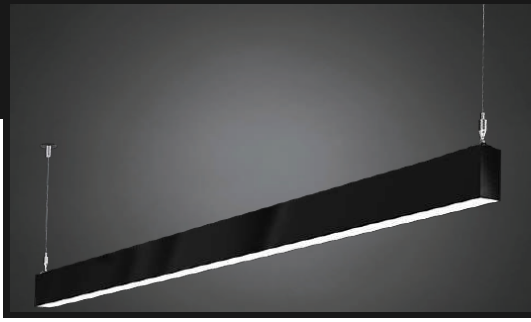


## PN: 370FL

<b>APPLICATION</b>	<ul style="list-style-type: none"> <li>• PENDANT MOUNT</li> <li>• INDOOR RATED</li> </ul>
<b>DIMENSION</b>	<ul style="list-style-type: none"> <li>• 24", 48", 72", 96", 120", 144" (61CM, 122CM, 183CM, 244CM, 305CM, 366CM)</li> <li>• PROFILE: 1.84"W X 3"H (5CM X 8M)</li> </ul>
<b>ILLUMINATION</b>	<ul style="list-style-type: none"> <li>• DIRECT</li> <li>• LED 90CRI</li> <li>• 1,409 - 8,269 LUMENS</li> </ul>
<b>ELECTRICAL</b>	<ul style="list-style-type: none"> <li>• 120 - 277V (347V CONSULT FACTORY)</li> <li>• 10KA SURGE SUPPRESSION STANDARD</li> </ul>
<b>DIFFUSERS</b>	<ul style="list-style-type: none"> <li>• HIGH EFFICIENCY ACRYLIC</li> </ul>
<b>MOUNTING</b>	<ul style="list-style-type: none"> <li>• 96" (244CM) BLACK OR WHITE DROP CORD W/ AIRCRAFT CABLES</li> </ul>
<b>CONSTRUCTION</b>	<ul style="list-style-type: none"> <li>• ALUMINUM</li> </ul>
<b>FINISHES</b>	<ul style="list-style-type: none"> <li>• AVAILABLE IN SEVERAL TMS POWDER COATED FINISHES</li> <li>• CUSTOM RAL FINISHES AVAILABLE</li> </ul>
<b>DIMMING</b>	<ul style="list-style-type: none"> <li>• 0 - 10V STANDARD DIMMING (1%)</li> </ul>



# FLIRE DIRECT™ PENDANT



PROJECT: \_\_\_\_\_

TYPE: \_\_\_\_\_

QUANTITY: \_\_\_\_\_

## 370FL

1 2 3 4 5 6 7 8 9 10 11

1.	24D	48D	72D	96D	120D	144D	
LENGTH	24"(61CM) DIRECT	48"(122CM) DIRECT	72"(183CM) DIRECT	96"(244CM) DIRECT	120"(305CM) DIRECT	144"(366CM) DIRECT	
LED (W)	13W	26W	39W	52W	65W	78W	
LUMENS	1409	2781	4179	5663	6855	8269	
2.	30K		35K		40K		
LED CCT	3000K		3500K		4000K		
3.	120		277		UNI		
VOLTAGE	120V		277V		120 - 277V		
4.	S						
CIRCUITS	SINGLE						
5.	SW			BL			
DIFFUSER	SATIN			BLACK LENS			
6.	ACC			ACT			
MOUNTING	CABLE & CORD			CABLE & CORD FOR T-BAR			
7.	BC			WC			
CORD	BLACK DROP CORD			WHITE DROP CORD			
8.	AN	F04	F05	F15	F16	F18	RAL
FINISH	ANODIZED (SILVER)	MATTE WHITE	GLOSS WHITE	MATTE BLACK	GLOSS BLACK	SATIN PLATINUM	CUSTOM (SPECIFY)
9.	---			EMR			
EMERGENCY <sup>1</sup>	NONE			REMOTE			
10.	---		DOS		DS	OS	
SENSORS	NONE		DAYLIGHT/OCCUPANCY		DAYLIGHT	OCCUPANCY	
11.	DIML						
DIMMING	LED DIMMING (0 - 10V, CURRENT - SINKING)						

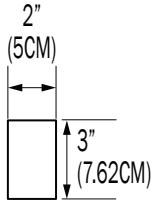
1. 10W AT 90 MINUTES. EMERGENCY (EMR) OPTION ILLUMINATES MAX OF 4 FT

NOTE: SOME OPTIONS MAY NOT BE COMPATIBLE WITH OTHERS. ALL SPECIFICATIONS ARE SUBJECT TO CHANGE WITHOUT NOTICE. CONTACT TMS LIGHTING FOR UPDATED SPECIFICATIONS.

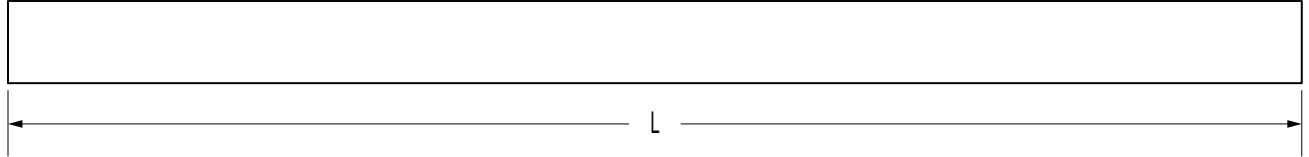
# FLIRE DIRECT™ PENDANT

**370FL**

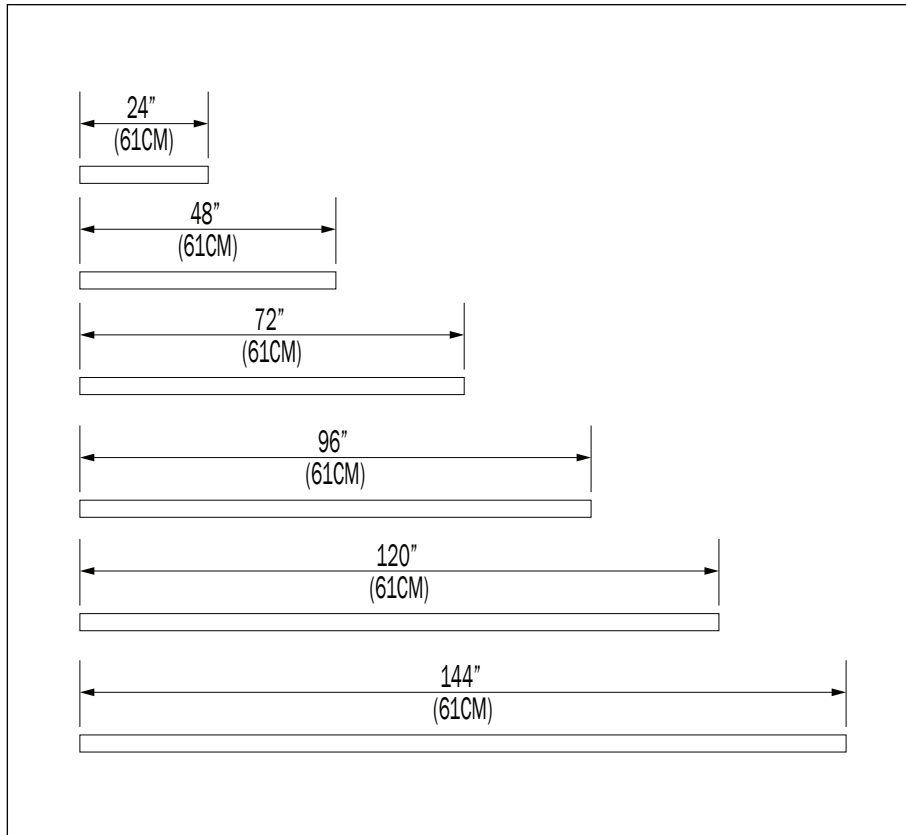
## FRONT



## PROFILE VIEW



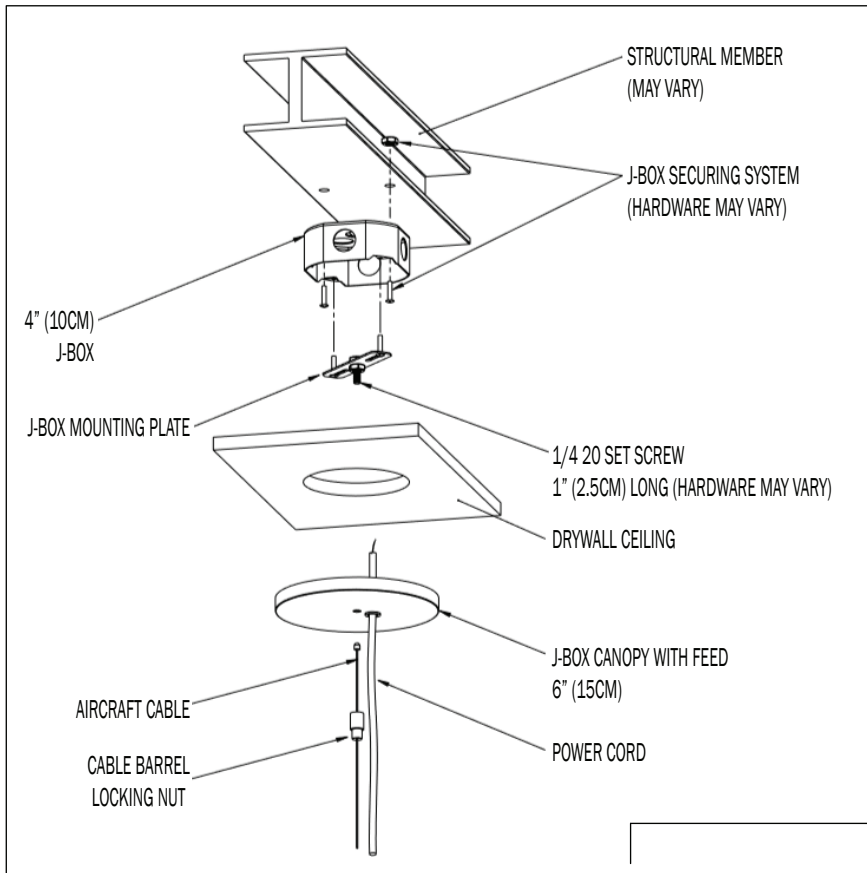
## SIZES (LENGTH)



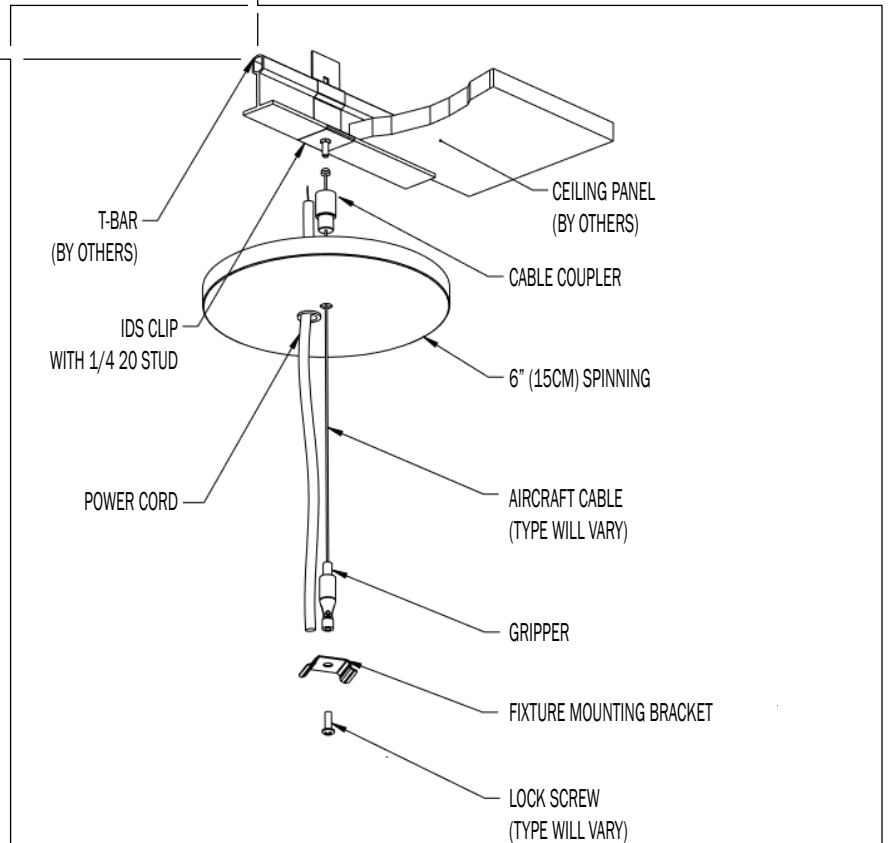
### CUSTOM

NOTE: THIS FIXTURE CAN BE CUSTOMIZE. DIMENSION, LAMP TYPES, ENCLOSURE, AND COLOR CAN BE MODIFIED TO SUIT YOUR LIGHTING AND ARCHITECTURAL REQUIREMENTS. CONTACT YOUR LOCAL REPRESENTATIVE FOR MORE DETAILS: <https://tmslighting.com/sales-agents.html>

## STANDARD MOUNTING



## T - BAR MOUNTING



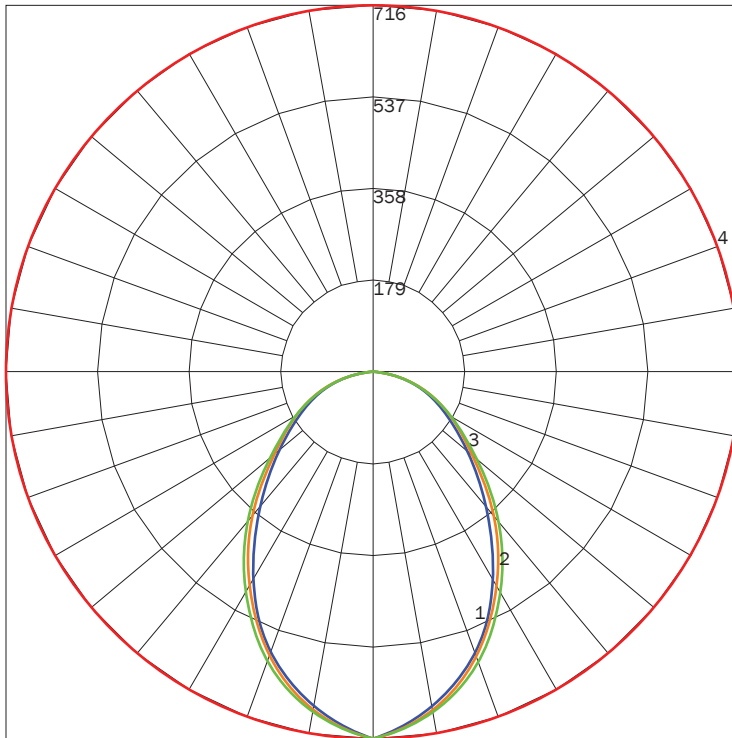
## DIRECT

PN	SIZES (LENGTH)	LUMENS	WATTAGE
370FL	24D	1409	13
	48D	2781	26
	72D	4179	39
	96D	5663	52
	120D	6855	65
	144D	8269	78

### IES INDOOR REPORT

PHOTOMETRIC FILENAME : 370FL D24 35K F05.IES

### POLAR GRAPH



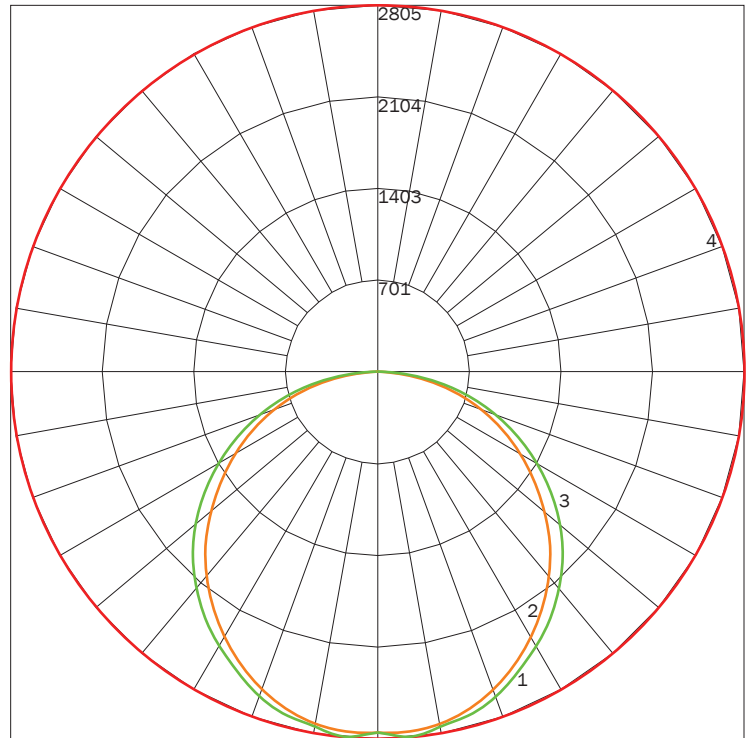
MAXIMUM CANDELA = 715.82 LOCATED AT HORIZONTAL ANGLE = 0, VERTICAL ANGLE = 0  
 # 1 - VERTICAL PLANE THROUGH HORIZONTAL ANGLES (0 - 180) (THROUGH MAX. CD.)  
 # 2 - VERTICAL PLANE THROUGH HORIZONTAL ANGLES (45 - 225)  
 # 3 - VERTICAL PLANE THROUGH HORIZONTAL ANGLES (90 - 270)  
 # 4 - HORIZONTAL CONE THROUGH VERTICAL ANGLE (0) (THROUGH MAX. CD.)

**LUMINAIRE LUMENS** 1409  
**TOTAL LUMINAIRE EFFICIENCY** 82%  
**LUMINAIRE EFFICACY RATING** 109  
**TOTAL LUMINAIRE WATTS** 13

### IES INDOOR REPORT

PHOTOMETRIC FILENAME : 370FL D144 35K F05.IES

### POLAR GRAPH



MAXIMUM CANDELA = 2805.12 LOCATED AT HORIZONTAL ANGLE = 90, VERTICAL ANGLE = 5  
 # 1 - VERTICAL PLANE THROUGH HORIZONTAL ANGLES (90 - 270) (THROUGH MAX. CD.)  
 # 2 - VERTICAL PLANE THROUGH HORIZONTAL ANGLES (45 - 225)  
 # 3 - VERTICAL PLANE THROUGH HORIZONTAL ANGLES (90 - 270)  
 # 4 - HORIZONTAL CONE THROUGH VERTICAL ANGLE (5) (THROUGH MAX. CD.)

**LUMINAIRE LUMENS** 8269  
**TOTAL LUMINAIRE EFFICIENCY** 80%  
**LUMINAIRE EFFICACY RATING** 106  
**TOTAL LUMINAIRE WATTS** 78

## FINISHES



**F04**  
MATTE  
WHITE



**F05**  
GLOSS  
WHITE



**F15**  
MATTE  
BLACK



**F16**  
GLOSS  
BLACK



**F09**  
PEWTER



**F31**  
SILVER  
METALLIC



**F18**  
SATIN  
ALUMINUM



**F21**  
ARCH  
BRONZE

## PREMIUM FINISHES



**RAL**  
CUSTOM  
(RAL #)



**F40**  
BUBBLE  
PINK



**F10**  
FIRE  
RED



**F41**  
ELECTRIC  
PURPLE



**F08**  
MIDNIGHT  
BLUE



**F39**  
AQUA  
BLUE



**F13**  
FOREST  
GREEN



**F38**  
MEADOW  
GREEN



**F45**  
COPPER  
METALLIC



**F06**  
CLAY  
BROWN



**F11**  
CITRUS  
ORANGE



**F28**  
DARK  
CHAMPAGNE



**F22**  
HARVEST  
GOLD



**F14**  
SUNSHINE  
YELLOW



**F33**  
PYRITE  
BRONZE



**F07**  
ZEUS  
BROWN



**F32**  
BRONZE  
METALLIC



**F26**  
MELTED  
COPPER



**F25**  
MELTED  
GOLD



**F24**  
MELTED  
PLATINUM



**F44**  
FAUX  
COPPER



**F43**  
FAUX  
GOLD



**F42**  
FAUX  
CHROME

## PREMIUM MATERIALS



**AN<sup>12</sup>**  
ANODIZED

1: FINISHES IS APPLIED TO THE INTERIOR AND EXTERIOR OF THE FIXTURE.

2: MATERIALS ARE CONSISTENT (INTERIOR & EXTERIOR). STEMS AND CANOPIES WILL BE F16 GLOSS BLACK.

NOTE: ALL FINISHES NOT MARKED WITH NOTATION (1) ARE APPLIED TO THE EXTERIOR ONLY. THE INTERIOR WILL BE F05 GLOSS WHITE.

MATTE FINISHES AVAILABLE. CONSULT FACTORY.

FINISHES ARE SUBJECT TO AVAILABILITY AND MAY NOT BE APPLICABLE TO ALL FIXTURES OR FOR QUICKSHIP.

DISPLAYED FINISHES DIFFER BETWEEN SCREENS AS WELL AS PRINTERS AND MAY NOT ACCURATELY DEPICT COLOR.

PREMIUM FINISHES ARE NOT AVAILABLE FOR QUICK SHIP.