

FLIRE DIR/INDIR™ PENDANT

PROJECT: _____

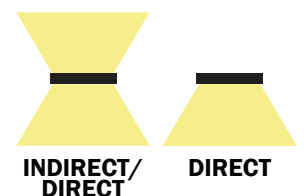
TYPE: _____

QUANTITY: _____



PN: 570FL

APPLICATION	<ul style="list-style-type: none"> • PENDANT MOUNT • INDOOR RATED
DIMENSION	<ul style="list-style-type: none"> • 24", 48", 72", 96", 120", 144" (61CM, 122CM, 183CM, 244CM, 305CM, 366CM) • PROFILE: 1.84"W X 3.6"H (5CM X 9.1CM)
ILLUMINATION	<ul style="list-style-type: none"> • DIRECT OR INDIRECT/DIRECT • LED 90CRI • 1,409 - 15,938 LUMENS
ELECTRICAL	<ul style="list-style-type: none"> • 120 - 277V (347V CONSULT FACTORY) • 10KA SURGE SUPPRESSION STANDARD
DIFFUSERS	<ul style="list-style-type: none"> • HIGH EFFICIENCY ACRYLIC
MOUNTING	<ul style="list-style-type: none"> • 96" (244CM) BLACK OR WHITE DROP CORD W/ AIRCRAFT CABLES
CONSTRUCTION	<ul style="list-style-type: none"> • ALUMINUM
FINISHES	<ul style="list-style-type: none"> • AVAILABLE IN SEVERAL TMS POWDER COATED FINISHES • CUSTOM RAL FINISHES AVAILABLE
DIMMING	<ul style="list-style-type: none"> • 0 - 10V STANDARD DIMMING (1%)



FLIRE DIR/INDIR™ PENDANT



PROJECT: _____

TYPE: _____

QUANTITY: _____

570FL

1 2 3 4 5 6 7 8 9 10 11

1.	DIRECT					
	24D	48D	72D	96D	120D	144D
LENGTH	24"(61CM) DIRECT	48"(122CM) DIRECT	72"(183CM) DIRECT	96"(244CM) DIRECT	120"(305CM) DIRECT	144"(366CM) DIRECT
LED (W)	13W	26W	39W	52W	65W	78W
LUMENS	1409	2781	4179	5663	6855	8269
	INDIRECT					
	24ID	48ID	72ID	96ID	120ID	144ID
LENGTH	24"(61CM) INDIRECT	48"(122CM) INDIRECT	72"(183CM) INDIRECT	96"(244CM) INDIRECT	120"(305CM) INDIRECT	144"(366CM) DIRECT
LED (W)	26W	52W	78W	104W	130W	156W
LUMENS	2637	5321	8011	10739	13279	15938
2.	30K		35K		40K	
LED CCT	3000K		3500K		4000K	
3.	120		277		UNI	
VOLTAGE	120V		277V		120 - 227V	
4.	S			D		
CIRCUITS	SINGLE			DUAL		
5.	SW			BL		
DIFFUSER	SATIN			BLACK LENS		
6.	ACC			ACT		
MOUNTING	CABLE & CORD			CABLE & CORD FOR T-BAR		
7.	BC			WC		
CORD	BLACK DROP CORD			WHITE DROP CORD		
8.	ADDITIONAL AND PREMIUM FINISHES AVAILABLE. SEE FINISHES CHART	F04	F05	F15	F16	F18
FINISH		MATTE WHITE	GLOSS WHITE	MATTE BLACK	GLOSS BLACK	SATIN ALUMINUM
9.	---			EMR		
EMERGENCY ¹	NONE			REMOTE		
10.	---		DOS	DS	OS	
SENSORS	NONE		DAYLIGHT/OCCUPANCY	DAYLIGHT	OCCUPANCY	
11.	DIML					
DIMMING	LED DIMMING (0 - 10V, CURRENT - SINKING)					

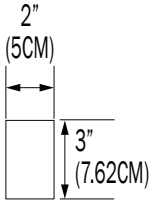
1. 10W AT 90 MINUTES. EMERGENCY (EMR) OPTION ILLUMINATES MAX OF 4 FT.

NOTE: SOME OPTIONS MAY NOT BE COMPATIBLE WITH OTHERS. ALL SPECIFICATIONS ARE SUBJECT TO CHANGE WITHOUT NOTICE. CONTACT TMS LIGHTING FOR UPDATED SPECIFICATIONS.

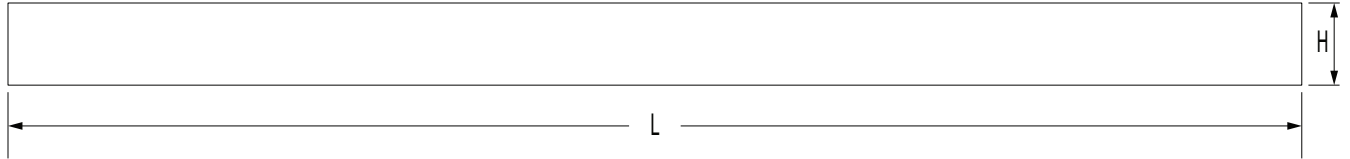
FLIRE DIR/INDIR™ PENDANT

570FL

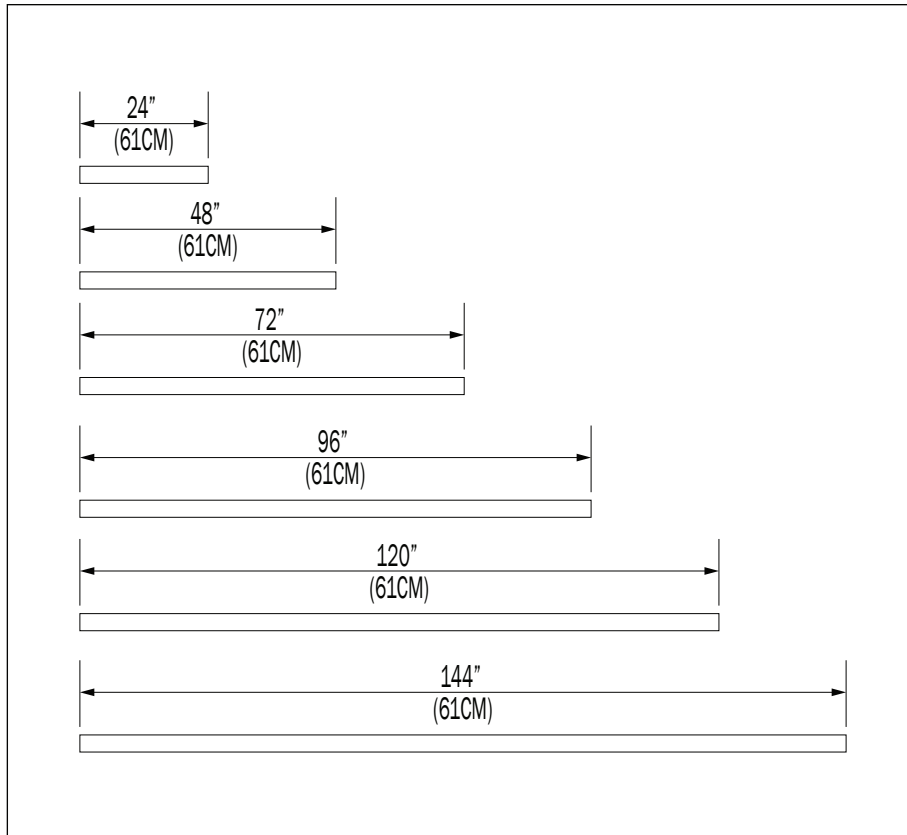
FRONT



PROFILE VIEW



SIZES (LENGTH)



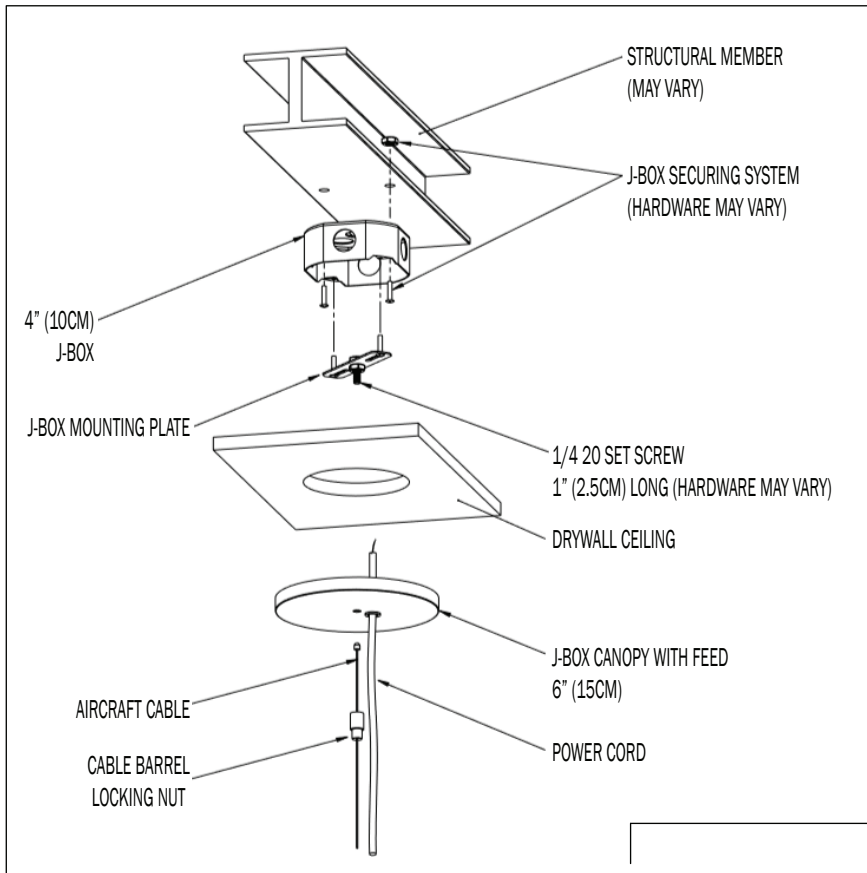
CUSTOM

NOTE: THIS FIXTURE CAN BE CUSTOMIZE. DIMENSION, LAMP TYPES, ENCLOSURE, AND COLOR CAN BE MODIFIED TO SUIT YOUR LIGHTING AND ARCHITECTURAL REQUIREMENTS. CONTACT YOUR LOCAL REPRESENTATIVE FOR MORE DETAILS: <https://tmslighting.com/sales-agents.html>

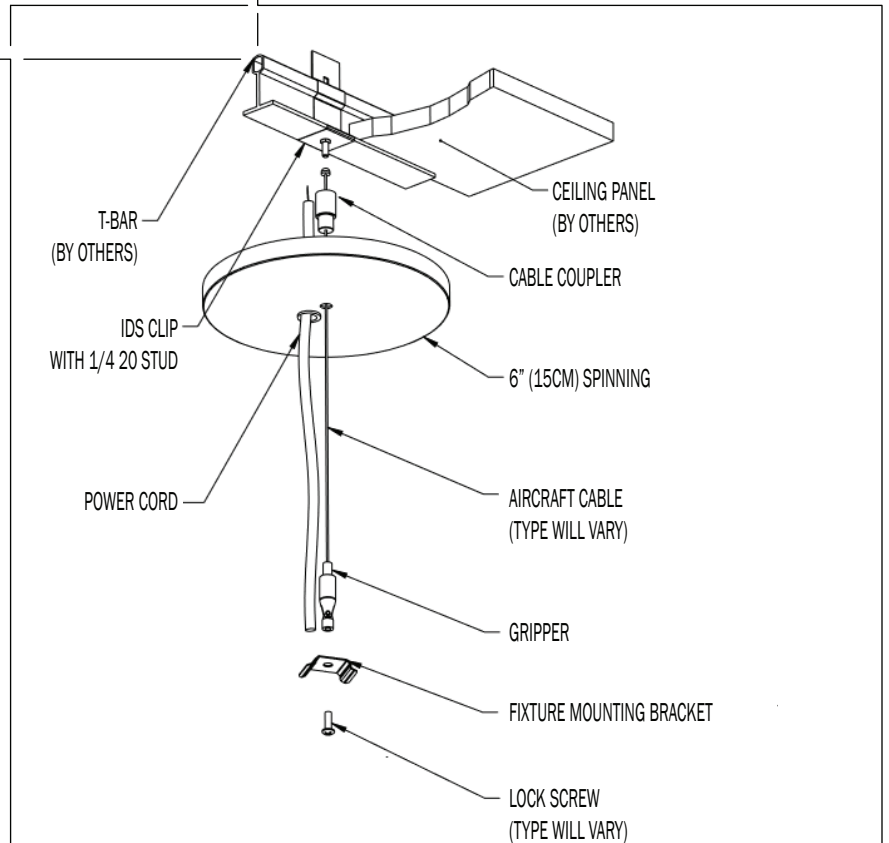
TMSLIGHTING

FLIRE DIR/INDIR™ PENDANT

STANDARD MOUNTING



T - BAR MOUNTING



FLIRE DIR/INDIR™ PENDANT

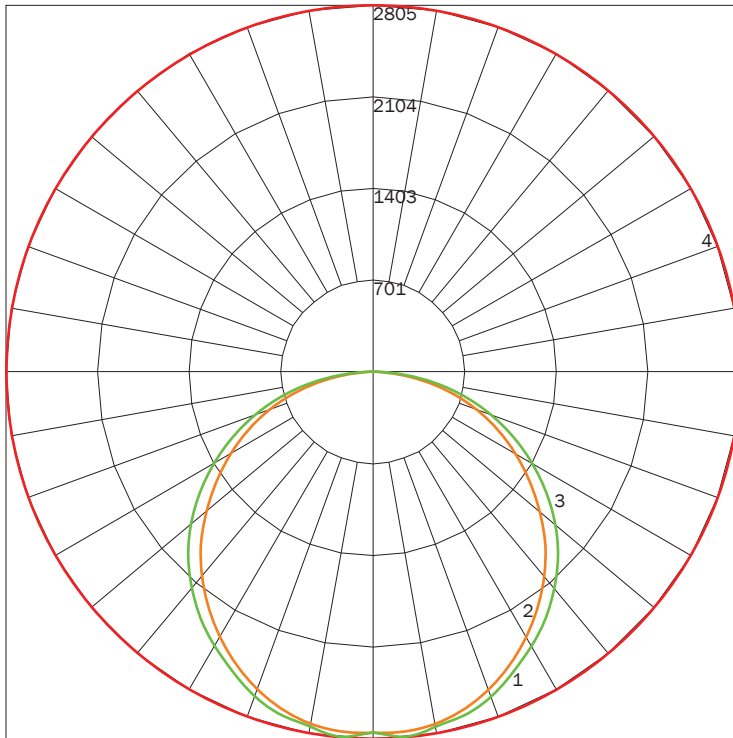
DIRECT

PN	SIZE (LENGTH)	LUMENS	WATTAGE
570FL	24D	1409	13
	48D	2781	26
	72D	4179	39
	96D	5663	52
	120D	6855	65
	144D	8269	78

IES INDOOR REPORT

PHOTOMETRIC FILENAME : 570FL D144 35K F05.IES

POLAR GRAPH



MAXIMUM CANDELA = 2805.12 LOCATED AT HORIZONTAL ANGLE = 90, VERTICAL ANGLE = 5
 # 1 - VERTICAL PLANE THROUGH HORIZONTAL ANGLES (90 - 270) (THROUGH MAX. CD.)
 # 2 - VERTICAL PLANE THROUGH HORIZONTAL ANGLES (45 - 225)
 # 3 - VERTICAL PLANE THROUGH HORIZONTAL ANGLES (90 - 270)
 # 4 - HORIZONTAL CONE THROUGH VERTICAL ANGLE (5) (THROUGH MAX. CD.)

LUMINAIRE LUMENS	8269
TOTAL LUMINAIRE EFFICIENCY	80%
LUMINAIRE EFFICACY RATING	106
TOTAL LUMINAIRE WATTS	78

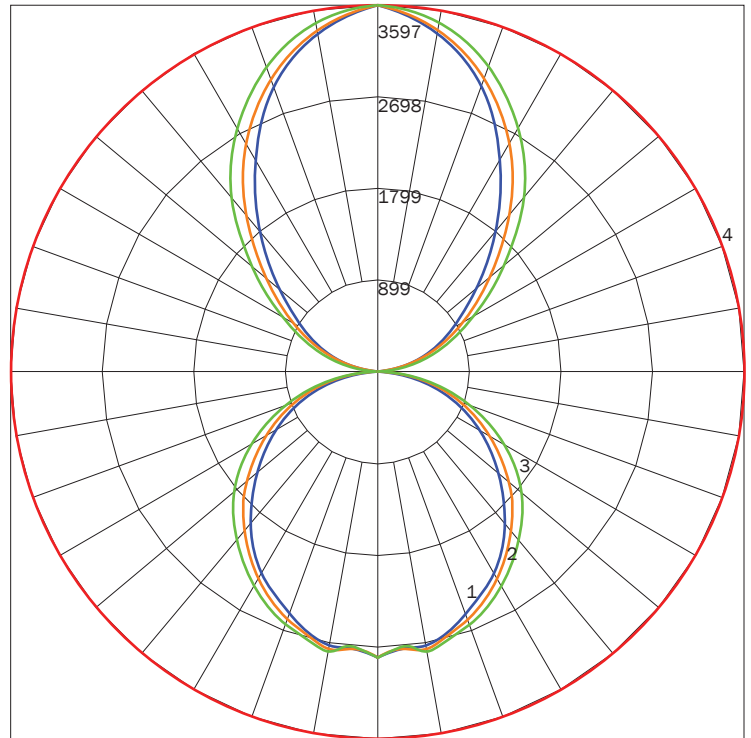
INDIRECT / DIRECT

PN	SIZE (LENGTH)	LUMENS	WATTAGE
570FL	24ID	2637	26
	48ID	5321	52
	72ID	8011	78
	96ID	10739	104
	120ID	13279	130
	144ID	15938	156

IES INDOOR REPORT

PHOTOMETRIC FILENAME : 570FL ID144 35K F05.IES

POLAR GRAPH



MAXIMUM CANDELA = 3597.1 LOCATED AT HORIZONTAL ANGLE = 0, VERTICAL ANGLE = 180
 # 1 - VERTICAL PLANE THROUGH HORIZONTAL ANGLES (0 - 180) (THROUGH MAX. CD.)
 # 2 - VERTICAL PLANE THROUGH HORIZONTAL ANGLES (45 - 225)
 # 3 - VERTICAL PLANE THROUGH HORIZONTAL ANGLES (90 - 270)
 # 4 - HORIZONTAL CONE THROUGH VERTICAL ANGLE (180) (THROUGH MAX. CD.)

LUMINAIRE LUMENS	15938
TOTAL LUMINAIRE EFFICIENCY	77%
LUMINAIRE EFFICACY RATING	102
TOTAL LUMINAIRE WATTS	156

FLIRE DIR/INDIR™ PENDANT

FINISHES



F04
MATTE
WHITE



F05
GLOSS
WHITE



F15
MATTE
BLACK



F16
GLOSS
BLACK



F18
SATIN
ALUMINUM

PREMIUM FINISHES



F31¹
SILVER
METALLIC



F09
PEWTER



F40
BUBBLE
PINK



F10
FIRE
RED



F41
ELECTRIC
PURPLE



F08
MIDNIGHT
BLUE



F39
AQUA
BLUE



F13
FOREST
GREEN



F38
MEADOW
GREEN



F45
COPPER
METALLIC



F06
CLAY
BROWN



F11
CITRUS
ORANGE



F28¹
DARK
CHAMPAGNE



F22¹
HARVEST
GOLD



F14
SUNSHINE
YELLOW



F33¹
PYRITE
BRONZE



F07
ZEUS
BROWN



F21
ARCH
BRONZE



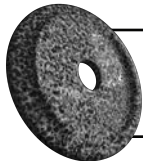
F32¹
BRONZE
METALLIC



F26¹
MELTED
COPPER



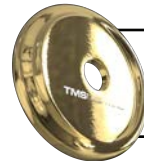
F25¹
MELTED
GOLD



F24¹
MELTED
PLATINUM



F44¹
FAUX
COPPER



F43¹
FAUX
GOLD



F42¹
FAUX
CHROME



RAL
CUSTOM
(RAL #)

PREMIUM MATERIALS



AN^{1 2}
ANODIZED

1: FINISHES IS APPLIED TO THE INTERIOR AND EXTERIOR OF THE FIXTURE.
 2: MATERIALS ARE CONSISTENT (INTERIOR & EXTERIOR). STEMS AND CANOPIES WILL BE F16 GLOSS BLACK.
 NOTE: ALL FINISHES NOT MARKED WITH NOTATION (1) ARE APPLIED TO THE EXTERIOR ONLY. THE INTERIOR WILL BE F05 GLOSS WHITE.
 MATTE FINISHES AVAILABLE. CONSULT FACTORY.
 FINISHES ARE SUBJECT TO AVAILABILITY AND MAY NOT BE APPLICABLE TO ALL FIXTURES OR FOR QUICKSHIP.
 DISPLAYED FINISHES DIFFER BETWEEN SCREENS AS WELL AS PRINTERS AND MAY NOT ACCURATELY DEPICT COLOR.