

FLIRE DIRECT™ PENDANT

PROJECT: _____

TYPE: _____

QUANTITY: _____

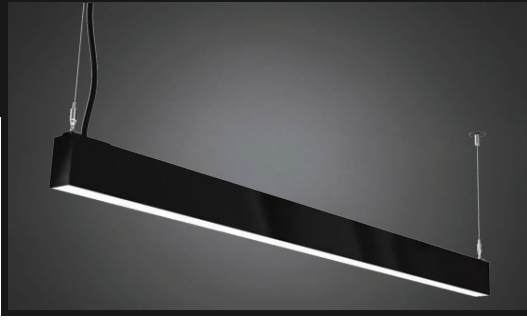


PN: 370FL

APPLICATION	<ul style="list-style-type: none">• PENDANT MOUNT• INDOOR RATED
DIMENSION	<ul style="list-style-type: none">• 24", 48", 72", 96", 120", 144" (61CM, 122CM, 183CM, 244CM, 305CM, 366CM)• PROFILE: 1.84"W X 3"H (5CM X 8M)
ILLUMINATION	<ul style="list-style-type: none">• DIRECT• LED 90CRI• 1,409 - 8,269 LUMENS
ELECTRICAL	<ul style="list-style-type: none">• 120 - 277V (347V CONSULT FACTORY)• 10KA SURGE SUPPRESSION STANDARD
DIFFUSERS	<ul style="list-style-type: none">• HIGH EFFICIENCY ACRYLIC
MOUNTING	<ul style="list-style-type: none">• 96" (244CM) BLACK OR WHITE DROP CORD W/ AIRCRAFT CABLES
CONSTRUCTION	<ul style="list-style-type: none">• ALUMINUM
FINISHES	<ul style="list-style-type: none">• AVAILABLE IN SEVERAL TMS POWDER COATED FINISHES• CUSTOM RAL FINISHES AVAILABLE
DIMMING	<ul style="list-style-type: none">• 0 - 10V STANDARD DIMMING (1%)



FLIRE DIRECT™ PENDANT



PROJECT: _____

TYPE: _____

QUANTITY: _____

370FL

1 2 3 4 5 6 7 8 9 10 11

1.	24D	48D	72D	96D	120D	144D	
LENGTH	24"(61CM) DIRECT	48"(122CM) DIRECT	72"(183CM) DIRECT	96"(244CM) DIRECT	120"(305CM) DIRECT	144"(366CM) DIRECT	
LED (W)	13W	26W	39W	52W	65W	78W	
LENGTH	1409	2781	4179	5663	6855	8269	
2.	30K		35K		40K		
LED CCT	3000K		3500K		4000K		
3.	120		277		UNI		
VOLTAGE	120V		277V		120 - 277V		
4.	S						
CIRCUITS	SINGLE						
5.	SW			BL			
DIFFUSER	SATIN			BLACK LENS			
6.	ACC			ACT			
MOUNTING	CABLE & CORD			CABLE & CORD FOR T-BAR			
7.	BC			WC			
CORD	BLACK DROP CORD			WHITE DROP CORD			
8.	AN	F04	F05	F15	F16	F18	RAL
FINISH	ANODIZED (SILVER)	MATTE WHITE	GLOSS WHITE	MATTE BLACK	GLOSS BLACK	SATIN PLATINUM	CUSTOM (SPECIFY)
9.	---			EMR			
EMERGENCY ¹	NONE			REMOTE			
10.	---		DOS		DS	OS	
SENSORS	NONE		DAYLIGHT/OCCUPANCY		DAYLIGHT	OCCUPANCY	
11.	DIML						
DIMMING	LED DIMMING (0 - 10V, CURRENT - SINKING)						

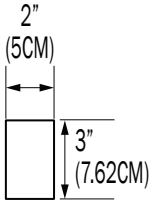
1. 10W AT 90 MINUTES. EMERGENCY (EMR) OPTION ILLUMINATES MAX OF 4 FT

NOTE: SOME OPTIONS MAY NOT BE COMPATIBLE WITH OTHERS. ALL SPECIFICATIONS ARE SUBJECT TO CHANGE WITHOUT NOTICE. CONTACT TMS LIGHTING FOR UPDATED SPECIFICATIONS.

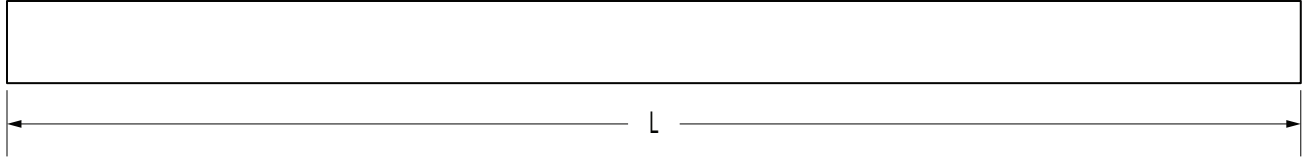
FLIRE DIRECT™ PENDANT

370FL

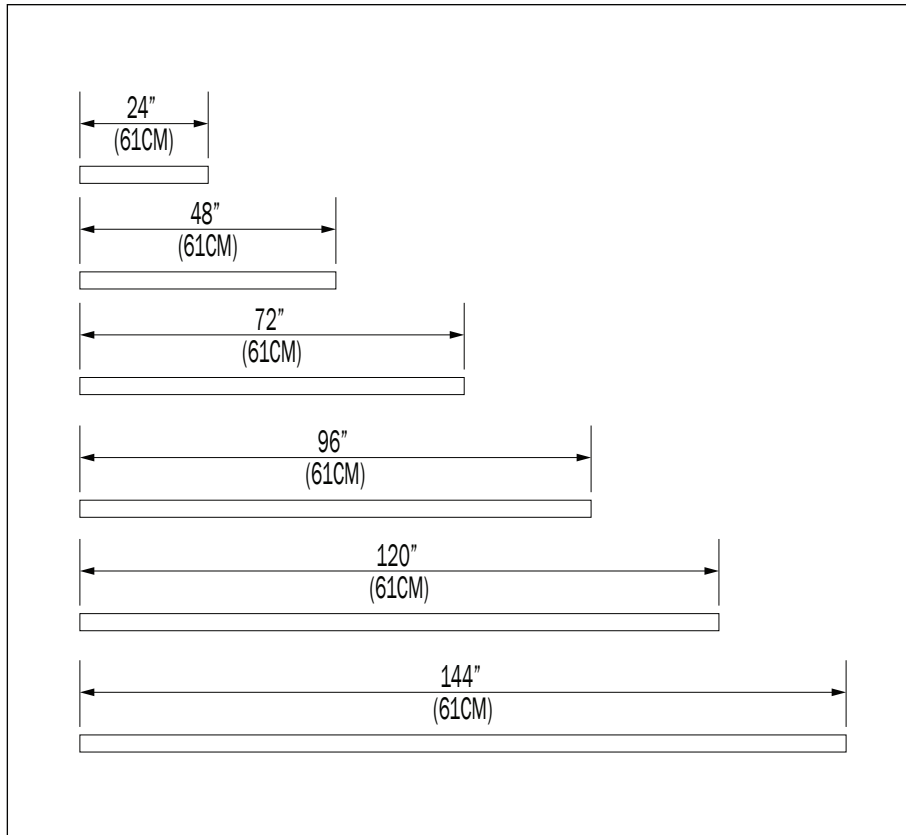
FRONT



PROFILE VIEW



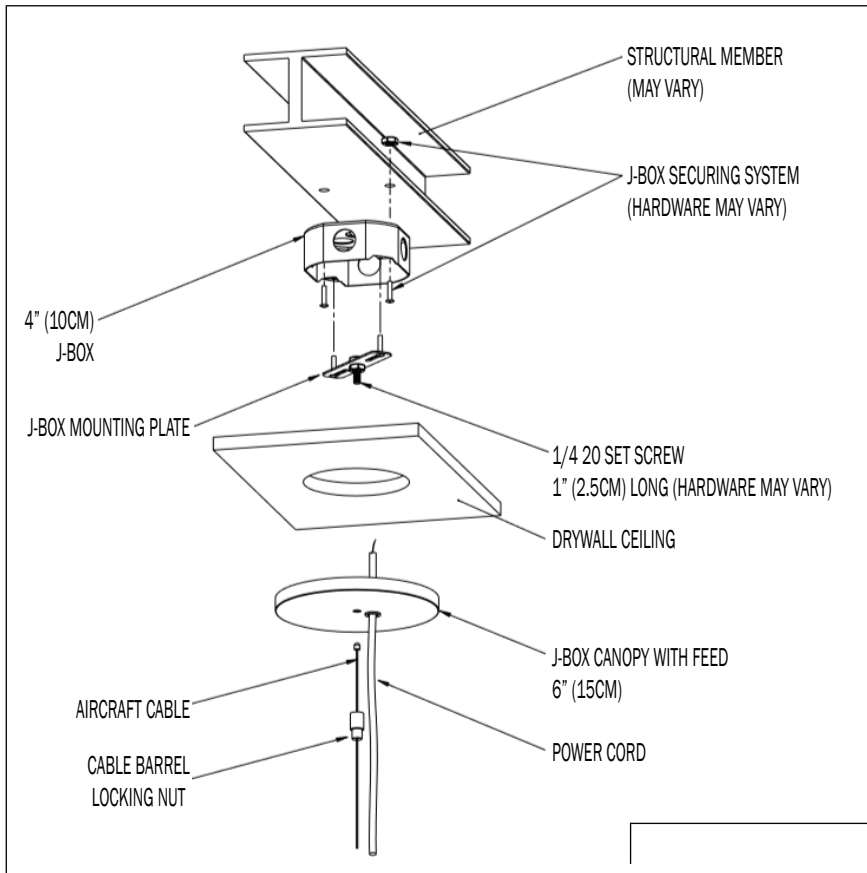
SIZES (LENGTH)



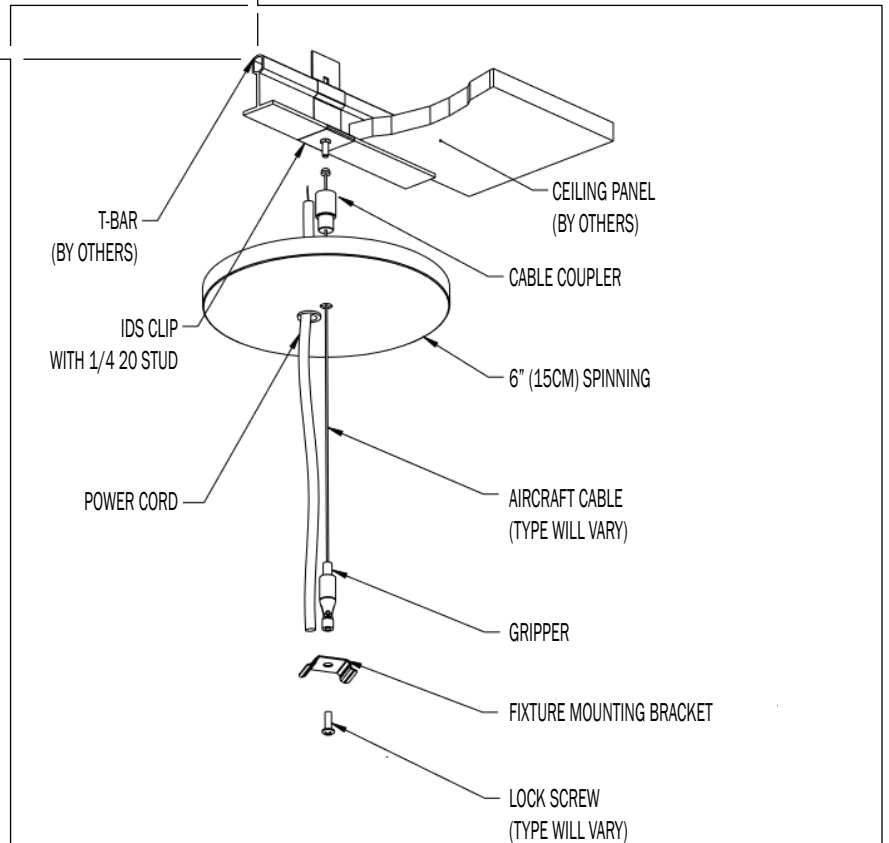
CUSTOM

NOTE: THIS FIXTURE CAN BE CUSTOMIZE. DIMENSION, LAMP TYPES, ENCLOSURE, AND COLOR CAN BE MODIFIED TO SUIT YOUR LIGHTING AND ARCHITECTURAL REQUIREMENTS. CONTACT YOUR LOCAL REPRESENTATIVE FOR MORE DETAILS: <https://tmslighting.com/sales-agents.html>

STANDARD MOUNTING



T - BAR MOUNTING



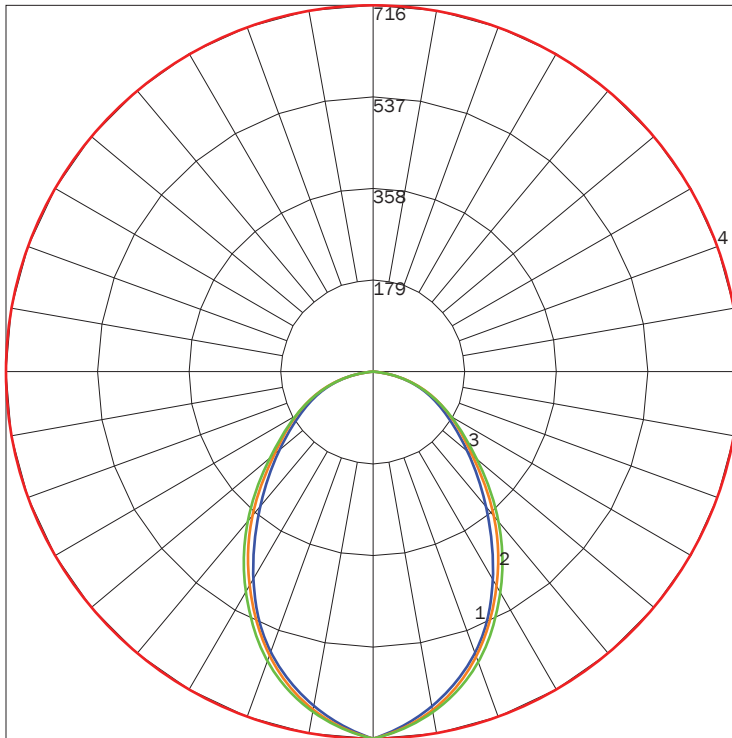
DIRECT

PN	SIZES (LENGTH)	LUMENS	WATTAGE
370FL	24D	1409	13
	48D	2781	26
	72D	4179	39
	96D	5663	52
	120D	6855	65
	144D	8269	78

IES INDOOR REPORT

PHOTOMETRIC FILENAME : 370FL D24 35K F05.IES

POLAR GRAPH



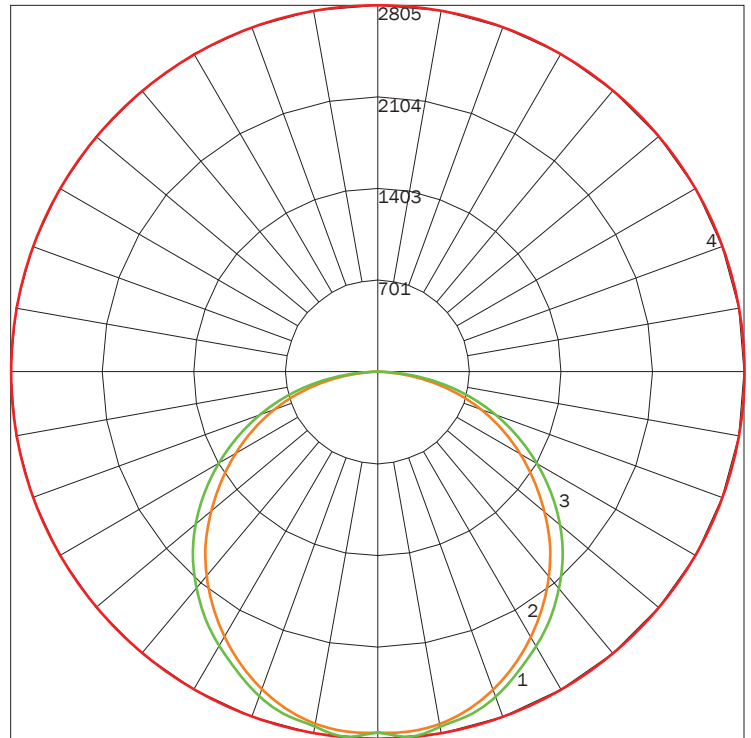
MAXIMUM CANDELA = 715.82 LOCATED AT HORIZONTAL ANGLE = 0, VERTICAL ANGLE = 0
 # 1 - VERTICAL PLANE THROUGH HORIZONTAL ANGLES (0 - 180) (THROUGH MAX. CD.)
 # 2 - VERTICAL PLANE THROUGH HORIZONTAL ANGLES (45 - 225)
 # 3 - VERTICAL PLANE THROUGH HORIZONTAL ANGLES (90 - 270)
 # 4 - HORIZONTAL CONE THROUGH VERTICAL ANGLE (0) (THROUGH MAX. CD.)

LUMINAIRE LUMENS 1409
TOTAL LUMINAIRE EFFICIENCY 82%
LUMINAIRE EFFICACY RATING 109
TOTAL LUMINAIRE WATTS 13

IES INDOOR REPORT

PHOTOMETRIC FILENAME : 370FL D144 35K F05.IES

POLAR GRAPH



MAXIMUM CANDELA = 2805.12 LOCATED AT HORIZONTAL ANGLE = 90, VERTICAL ANGLE = 5
 # 1 - VERTICAL PLANE THROUGH HORIZONTAL ANGLES (90 - 270) (THROUGH MAX. CD.)
 # 2 - VERTICAL PLANE THROUGH HORIZONTAL ANGLES (45 - 225)
 # 3 - VERTICAL PLANE THROUGH HORIZONTAL ANGLES (90 - 270)
 # 4 - HORIZONTAL CONE THROUGH VERTICAL ANGLE (5) (THROUGH MAX. CD.)

LUMINAIRE LUMENS 8269
TOTAL LUMINAIRE EFFICIENCY 80%
LUMINAIRE EFFICACY RATING 106
TOTAL LUMINAIRE WATTS 78

AVAILABLE FINISHES



AN
ANODIZED
(SILVER)



F04
MATTE
WHITE



F05
GLOSS
WHITE



F15
MATTE
BLACK



F16
GLOSS
BLACK



F18
SATIN
ALUMINUM



RAL
CUSTOM
COLOR
(RAL #)

NOTE: DISPLAYED FINISHES DIFFER BETWEEN SCREENS AS WELL AS PRINTERS AND MAY NOT ACCURATELY DEPICT COLOR.