

PROJECT: _____

TYPE: _____

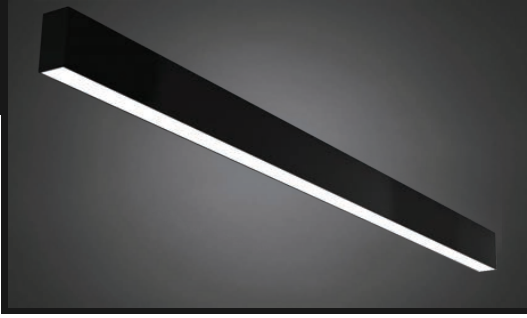
QUANTITY: _____



PN: 380FLC

APPLICATION	<ul style="list-style-type: none"> • CEILING MOUNT • INDOOR RATED
DIMENSION	<ul style="list-style-type: none"> • 24", 48", 72", 96", 120", 144" (61CM, 122CM, 183CM, 244CM, 305CM, 366CM) • PROFILE: 1.6"W X 3"H (4CM X 8CM)
ILLUMINATION	<ul style="list-style-type: none"> • DIRECT • LED 90CRI • 1,381 - 8,269 LUMENS
ELECTRICAL	<ul style="list-style-type: none"> • 120, 277V AND UNI (120 - 277V) • 10kA SURGE SUPPRESSION STANDARD
DIFFUSERS	<ul style="list-style-type: none"> • HIGH EFFICIENCY ACRYLIC
MOUNTING	<ul style="list-style-type: none"> • CEILING
CONSTRUCTION	<ul style="list-style-type: none"> • ALUMINUM
FINISHES	<ul style="list-style-type: none"> • AVAILABLE SPECIALTY, AND IN SEVERAL TMS POWDER COATED FINISHES • CUSTOM RAL FINISHES AVAILABLE
DIMMING	<ul style="list-style-type: none"> • 0 - 10V STANDARD DIMMING (1%)





PROJECT: _____

TYPE: _____

QUANTITY: _____

380FLC

1 2 3 4 5 6 7 8 9

1.	24D	48D	72D	96D	120D	144D
LENGTH	24"(61CM) DIRECT	48"(122CM) DIRECT	72"(183CM) DIRECT	96"(244CM) DIRECT	120"(305CM) DIRECT	144"(366CM) DIRECT
LED (W)	13W	26W	39W	52W	65W	78W
LENGTH	1391	2781	4179	5663	6855	8269

2.	30K	35K	40K
LED CCT	3000K	3500K	4000K

3.	120	277	UNI
VOLTAGE	120V	277V	120 - 227V

4.	S
CIRCUITS	SINGLE

5.	SW	BL
DIFFUSER	SATIN	BLACK LENS

6.	F04	F05	F15	F16	F09	F31	F18	F06	F07	F08
FINISH	MATTE WHITE	GLOSS WHITE	MATTE BLACK	GLOSS BLACK	PEWTER	SILVER METALLIC	SATIN ALUMINUM	CLAY BROWN	ZEUS BROWN	MIDNIGHT BLUE
	F10	F11	F13	F14	F21	F22	F24	F25	F26	F28
	FIRE RED	CITRUS ORANGE	FOREST GREEN	SUNSHINE YELLOW	ARCH. BRONZE	HARVEST GOLD	MELTED PLATINUM	MELTED GOLD	MELTED COPPER	DARK CAMPAGNE
	F32	F33	F38	F39	F40	F41	F42	F43	F44	F45
	BRONZE METALLIC	PYRITE BRONZE	MEADOW GREEN	AQUA BLUE	BUBBLE PINK	ELECTRIC PURPLE	FAUX CHROME	FAUX GOLD	FAUX COPPER	COPPER METALLIC
	RAL	AN								
CUSTOM (SPECIFY RAL)	ANODIZED									

7.	---	EMR
EMERGENCY ¹	NONE	REMOTE

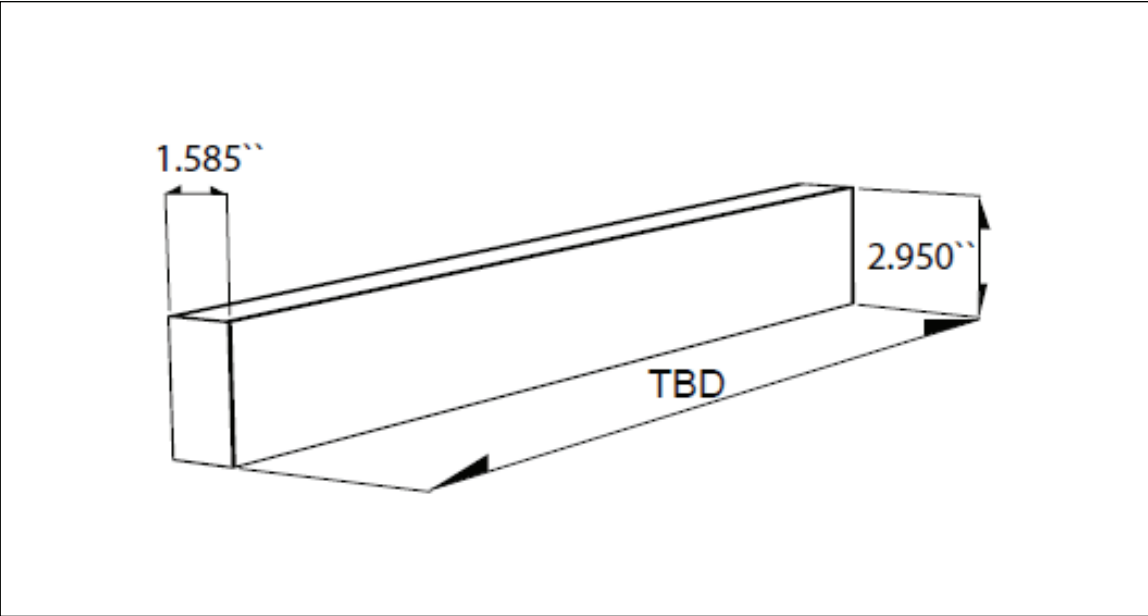
8.	---	DOS	DS	OS
SENSORS	NONE	DAYLIGHT/OCCUPANCY	DAYLIGHT	OCCUPANCY

9.	DIML
DIMMING	LED DIMMING (0 - 10V, CURRENT - SINKING)

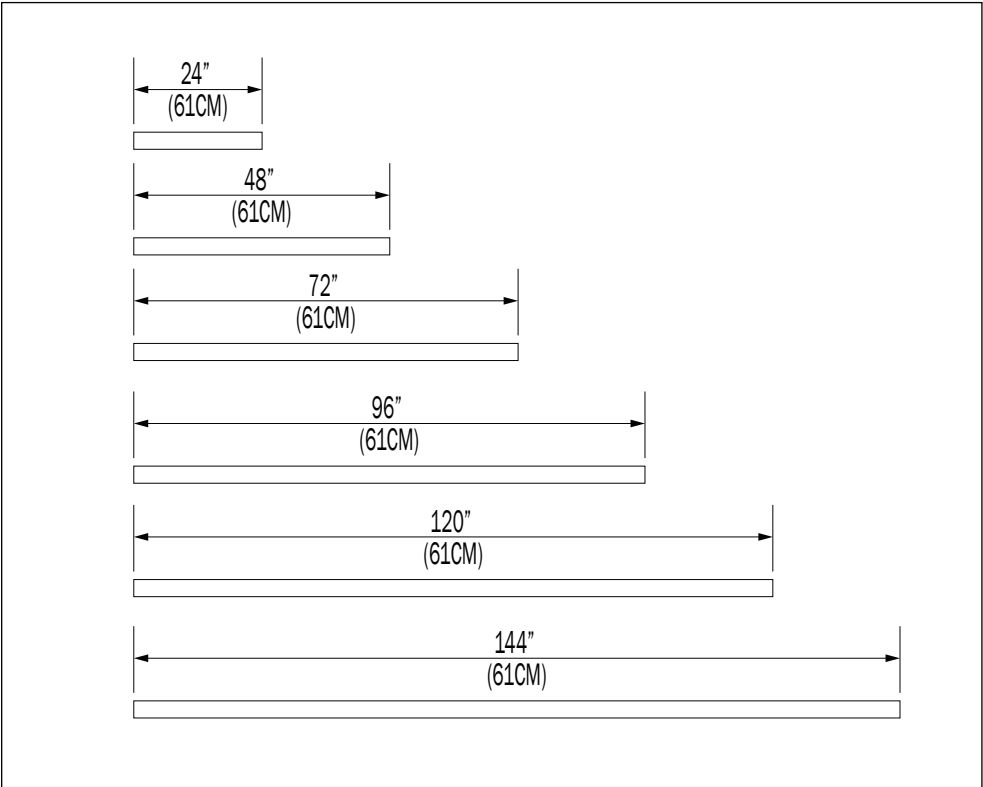
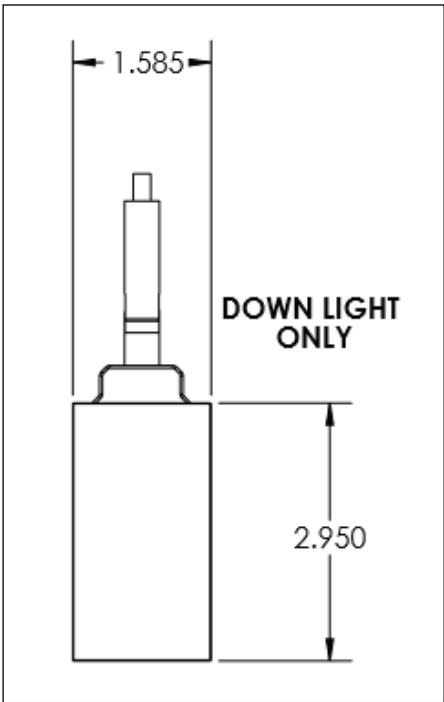
1. 10W AT 90 MINUTES. EMERGENCY (EMR) OPTION ILLUMINATES MAX OF 4 FT.

NOTE: SOME OPTIONS MAY NOT BE COMPATIBLE WITH OTHERS. ALL SPECIFICATIONS ARE SUBJECT TO CHANGE WITHOUT NOTICE. CONTACT TMS LIGHTING FOR UPDATED SPECIFICATIONS.

380FLC



SIZES (LENGTH)



CUSTOM

NOTE: THIS FIXTURE CAN BE CUSTOMIZE. DIMENSION, LAMP TYPES, ENCLOSURE, AND COLOR CAN BE MODIFIED TO SUIT YOUR LIGHTING AND ARCHITECTURAL REQUIREMENTS. CONTACT YOUR LOCAL REPRESENTATIVE FOR MORE DETAILS: <https://tmslighting.com/sales-agents.html>

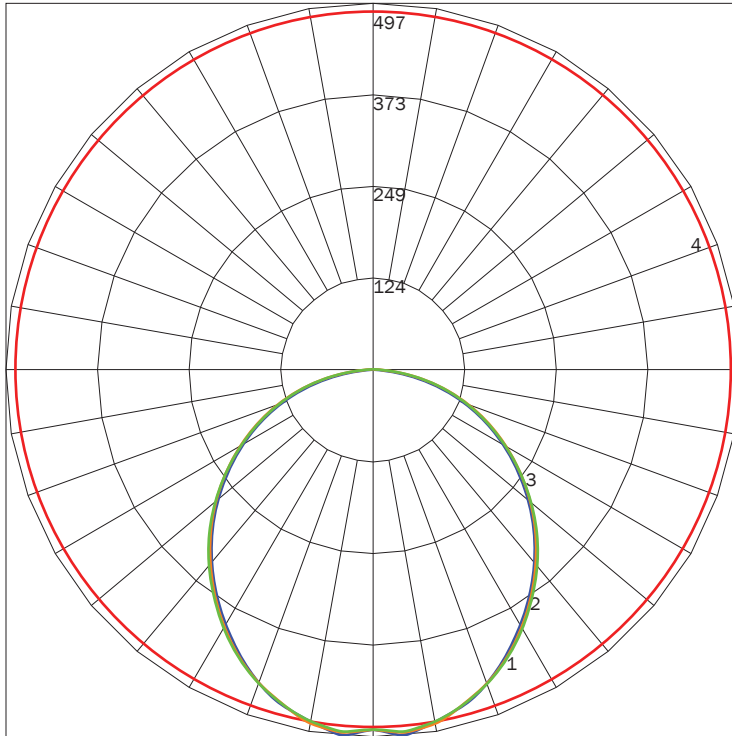
DIRECT

PN	SIZES (LENGTH)	LUMENS	WATTAGE
380FLC	24D	1391	13
	48D	2781	26
	72D	4179	39
	96D	5663	52
	120D	6855	65
	144D	8269	78

IES INDOOR REPORT

PHOTOMETRIC FILENAME : 380FLC D24 35K F05.IES

POLAR GRAPH



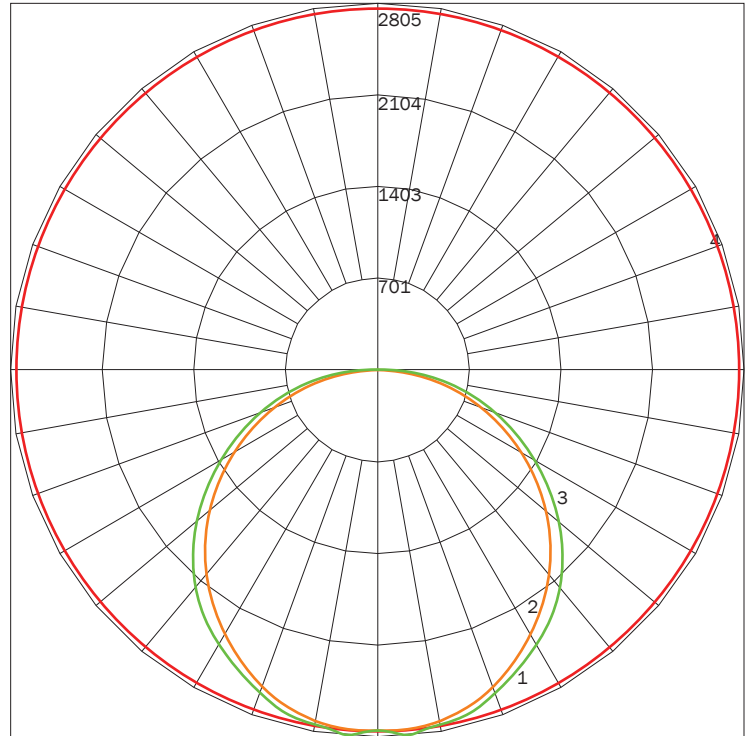
MAXIMUM CANDELA = 497.14 LOCATED AT HORIZONTAL ANGLE = 0, VERTICAL ANGLE = 5
 # 1 - VERTICAL PLANE THROUGH HORIZONTAL ANGLES (0 - 180) (THROUGH MAX. CD.)
 # 2 - VERTICAL PLANE THROUGH HORIZONTAL ANGLES (45 - 225)
 # 3 - VERTICAL PLANE THROUGH HORIZONTAL ANGLES (90 - 270)
 # 4 - HORIZONTAL CONE THROUGH VERTICAL ANGLE (5) (THROUGH MAX. CD.)

LUMINAIRE LUMENS 1381
TOTAL LUMINAIRE EFFICIENCY 80%
LUMINAIRE EFFICACY RATING 107
TOTAL LUMINAIRE WATTS 13

IES INDOOR REPORT

PHOTOMETRIC FILENAME : 380FLC D144 35K F05.IES

POLAR GRAPH



MAXIMUM CANDELA = 2805.12 LOCATED AT HORIZONTAL ANGLE = 90, VERTICAL ANGLE = 5
 # 1 - VERTICAL PLANE THROUGH HORIZONTAL ANGLES (90 - 270) (THROUGH MAX. CD.)
 # 2 - VERTICAL PLANE THROUGH HORIZONTAL ANGLES (45 - 225)
 # 3 - VERTICAL PLANE THROUGH HORIZONTAL ANGLES (90 - 270)
 # 4 - HORIZONTAL CONE THROUGH VERTICAL ANGLE (5) (THROUGH MAX. CD.)

LUMINAIRE LUMENS 8269
TOTAL LUMINAIRE EFFICIENCY 80%
LUMINAIRE EFFICACY RATING 106
TOTAL LUMINAIRE WATTS 78

FINISHES



F04
MATTE
WHITE



F05
GLOSS
WHITE



F15
MATTE
BLACK



F16
GLOSS
BLACK



F18
SATIN
ALUMINUM

PREMIUM FINISHES



F31¹
SILVER
METALLIC



F09
PEWTER



F40
BUBBLE
PINK



F10
FIRE
RED



F41
ELECTRIC
PURPLE



F08
MIDNIGHT
BLUE



F39
AQUA
BLUE



F13
FOREST
GREEN



F38
MEADOW
GREEN



F45
COPPER
METALLIC



F06
CLAY
BROWN



F11
CITRUS
ORANGE



F28¹
DARK
CHAMPAGNE



F22¹
HARVEST
GOLD



F14
SUNSHINE
YELLOW



F33¹
PYRITE
BRONZE



F07
ZEUS
BROWN



F21
ARCH
BRONZE



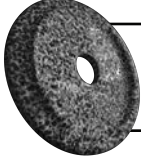
F32¹
BRONZE
METALLIC



F26¹
MELTED
COPPER



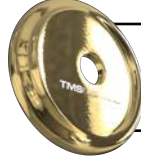
F25¹
MELTED
GOLD



F24¹
MELTED
PLATINUM



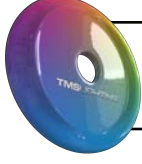
F44¹
FAUX
COPPER



F43¹
FAUX
GOLD



F42¹
FAUX
CHROME



RAL
CUSTOM
(RAL #)

PREMIUM MATERIALS



AN^{1 2}
ANODIZED

1: FINISHES IS APPLIED TO THE INTERIOR AND EXTERIOR OF THE FIXTURE.
 2: MATERIALS ARE CONSISTENT (INTERIOR & EXTERIOR). STEMS AND CANOPIES WILL BE F16 GLOSS BLACK.
 NOTE: ALL FINISHES NOT MARKED WITH NOTATION (1) ARE APPLIED TO THE EXTERIOR ONLY. THE INTERIOR WILL BE F05 GLOSS WHITE.
 MATTE FINISHES AVAILABLE. CONSULT FACTORY.
 FINISHES ARE SUBJECT TO AVAILABILITY AND MAY NOT BE APPLICABLE TO ALL FIXTURES OR FOR QUICKSHIP.
 DISPLAYED FINISHES DIFFER BETWEEN SCREENS AS WELL AS PRINTERS AND MAY NOT ACCURATELY DEPICT COLOR.