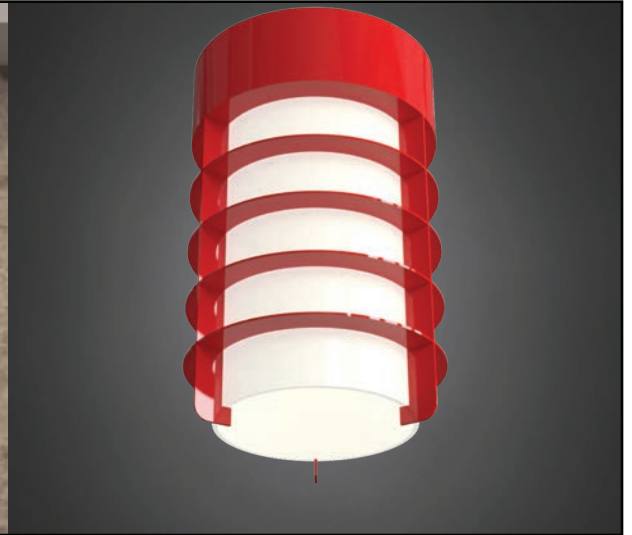


PROJECT: \_\_\_\_\_

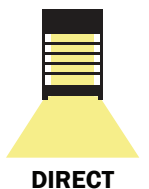
TYPE: \_\_\_\_\_

QUANTITY: \_\_\_\_\_



## PN: FI201

<b>APPLICATION</b>	<ul style="list-style-type: none"> <li>• CEILING</li> <li>• INDOOR RATED</li> </ul>
<b>DIMENSION</b>	<ul style="list-style-type: none"> <li>• 6.5" (17CM)</li> </ul>
<b>ILLUMINATION</b>	<ul style="list-style-type: none"> <li>• DIRECT</li> <li>• LED 90CRI</li> <li>• 1,006 LUMENS</li> </ul>
<b>ELECTRICAL</b>	<ul style="list-style-type: none"> <li>• 120 - 277V</li> <li>• 10kA SURGE SUPPRESSION STANDARD</li> </ul>
<b>DIFFUSERS</b>	<ul style="list-style-type: none"> <li>• HIGH EFFICIENCY ACRYLIC</li> </ul>
<b>MOUNTING</b>	<ul style="list-style-type: none"> <li>• CEILING, MOUNTED TO A 4"(10CM) J-BOX</li> </ul>
<b>CONSTRUCTION</b>	<ul style="list-style-type: none"> <li>• STEEL</li> </ul>
<b>FINISHES</b>	<ul style="list-style-type: none"> <li>• AVAILABLE IN SEVERAL TMS POWDER COATED FINISHES</li> <li>• CUSTOM RAL FINISHES AVAILABLE</li> </ul>
<b>DIMMING</b>	<ul style="list-style-type: none"> <li>• 0 - 10V STANDARD DIMMING</li> </ul>
<b>WEIGHT</b>	<ul style="list-style-type: none"> <li>• 2.5 LBS MAXIMUM</li> </ul>





PROJECT: \_\_\_\_\_

TYPE: \_\_\_\_\_

QUANTITY: \_\_\_\_\_

## FI201

1 2 3 4 5 6 7

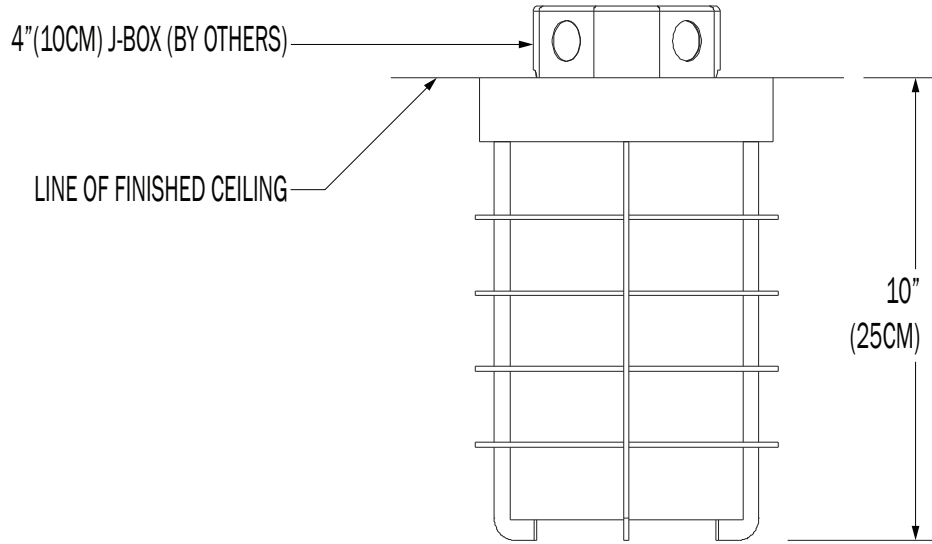
<b>1.</b>	<b>ILLUMINATION</b>									
	<b>15LED</b>									
	LED (W)	15W								
LUMENS	1006									
<b>2.</b>	<b>30K</b>			<b>35K</b>			<b>40K</b>			
	LED CCT	3000		3500			4000			
<b>3.</b>	<b>120</b>					<b>277</b>				
	VOLTAGE	120V				277V				
<b>4.</b>	<b>F04</b>	<b>F05</b>	<b>F09</b>	<b>F15</b>	<b>F16</b>	<b>F18</b>	<b>F24</b>	<b>F25</b>	<b>F26</b>	<b>F31</b>
	MATTE WHITE	GLOSS WHITE	PEWTER	MATTE BLACK	GLOSS BLACK	SATIN ALUMINUM	MELTED PLATINUM	MELTED GOLD	MELTED COPPER	SILVER METALLIC
	<b>F33</b>	<b>RAL</b>								
FINISH	PYRITE BRONZE	CUSTOM (SPECIFY)								
<b>5.</b>	<b>OP</b>					<b>SD</b>				
	DIFFUSER	OPAL - WHITE ACRYLIC				SAND - BLASTED WHITE				
<b>6.</b>	<b>DIML</b>									
	DIMMING	LED DIMMING (0 - 10V, CURRENT - SINKING)								
<b>7.</b>	<b>---</b>					<b>EMR</b>				
	EMERGENCY <sup>1</sup>	NONE				REMOTE				

1. 10W AT 90 MINUTES

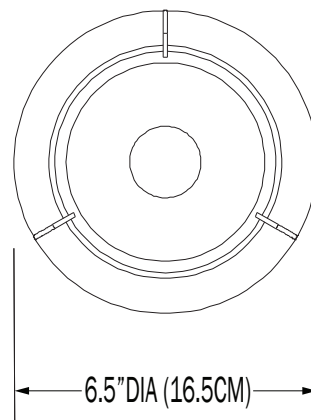
**FI201**

**FI201**

**PROFILE**



**BOTTOM**



**CUSTOM**

NOTE: THIS FIXTURE CAN BE CUSTOMIZE. DIMENSION, LAMP TYPES, ENCLOSURE, AND COLOR CAN BE MODIFIED TO SUIT YOUR LIGHTING AND ARCHITECTURAL REQUIREMENTS. CONTACT YOUR LOCAL REPRESENTATIVE FOR MORE DETAILS: <https://tmslighting.com/sales-agents.html>

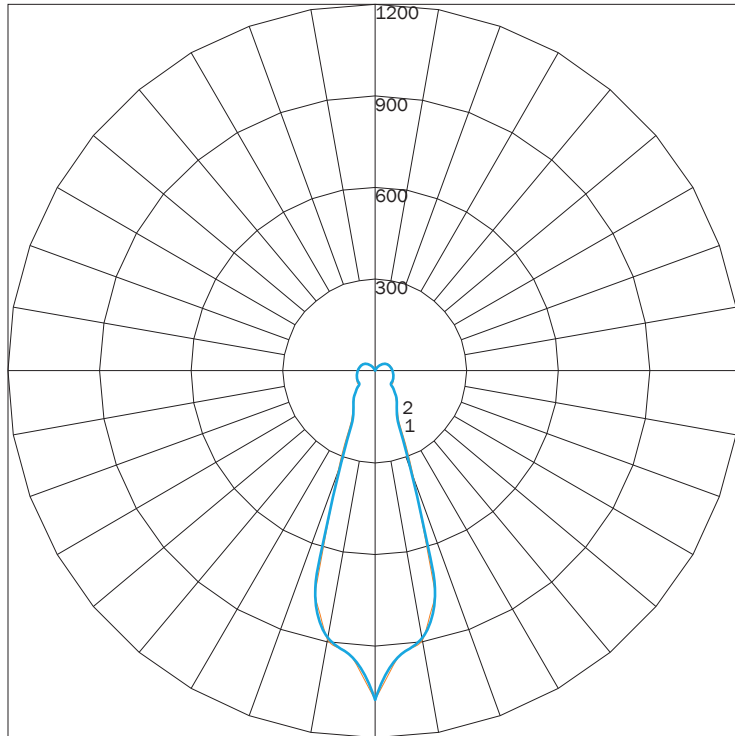
**DIRECT**

PN	LUMENS	WATTAGE
FI201	1006	15

**IES INDOOR REPORT**

**PHOTOMETRIC FILENAME :** FI201 15LED F05 OP 2.0.IES

**POLAR GRAPH**



MAXIMUM CANDELA = 1075.97 LOCATED AT HORIZONTAL ANGLE = 0, VERTICAL ANGLE = 0  
 # 1 - VERTICAL PLANE THROUGH HORIZONTAL ANGLES (90 - 270)  
 # 2 - VERTICAL PLANE THROUGH HORIZONTAL ANGLES (0 - 180)

<b>LUMINAIRE LUMENS</b>	1006
<b>TOTAL LUMINAIRE EFFICIENCY</b>	NA
<b>LUMINAIRE EFFICACY RATING</b>	58
<b>TOTAL LUMINAIRE WATTS</b>	17

## AVAILABLE FINISHES



**F04**  
MATTE  
WHITE



**F05**  
GLOSS  
WHITE



**F09**  
PEWTER



**F15**  
MATTE  
BLACK



**F16**  
GLOSS  
BLACK



**F18**  
SATIN  
ALUMINUM



**F24**  
MELTED  
PLATINUM



**F25**  
MELTED  
GOLD



**F26**  
MELTED  
COPPER



**F31**  
SILVER  
METALLIC



**F33**  
PYRITE  
BRONZE



**RAL**  
CUSTOM  
COLOR  
(RAL #)

NOTE: DISPLAYED FINISHES DIFFER BETWEEN SCREENS AS WELL AS PRINTERS AND MAY NOT ACCURATELY DEPICT COLOR.