

FIBONACCI W™ WALL

PROJECT: _____

TYPE: _____

QUANTITY: _____



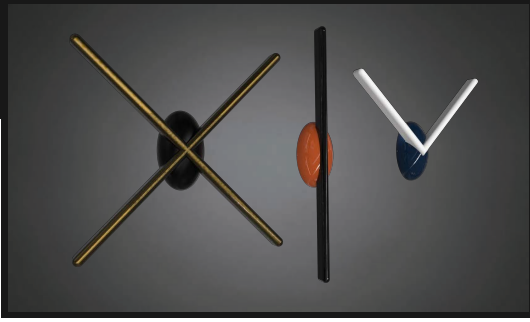
PN: 503FIW

APPLICATION	<ul style="list-style-type: none">• WALL MOUNT• INDOOR RATED• EASILY ROTATED UP TO 135 ° AFTER MOUNTING• ADA COMPLIANT
CONFIGURE	<ul style="list-style-type: none">• 5 AVAILABLE CONFIGURATIONS
ILLUMINATION	<ul style="list-style-type: none">• LED 90CRI• 628 - 1293 LUMENS
DRIVER	<ul style="list-style-type: none">• 120V, 277V• 10KA SURGE SUPPRESSION STANDARD
DIFFUSERS	<ul style="list-style-type: none">• HIGH EFFICIENCY ACRYLIC
MOUNTING	<ul style="list-style-type: none">• MOUNTS TO A 4" OCTAGONAL J-BOX
CONSTRUCTION	<ul style="list-style-type: none">• EXTRUDED & CAST ALUMINUM
FINISHES	<ul style="list-style-type: none">• AVAILABLE IN SEVERAL TMS POWDER COATED FINISHES• CUSTOM RAL FINISHES AVAILABLE• ACCENT FINISH AVAILABLE FOR FIXTURE BASE
DIMMING	<ul style="list-style-type: none">• 0 - 10V STANDARD DIMMING (1%), ELV, TRIAC
WEIGHT	<ul style="list-style-type: none">• 3.5 - 4 LBS MAXIMUM



DIFFUSE

FIBONACCI W™ WALL



PROJECT: _____

TYPE: _____

QUANTITY: _____

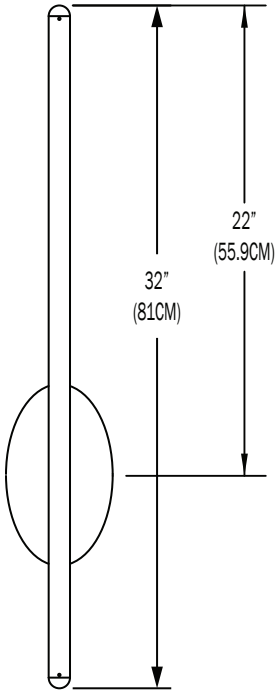
503FIW - 1 - 2 - 3 - 4 - 5 - 6

1.	X22	V22	I032	IS32	IS56	CUS				
SIZE	22"W x 22"H	22"W x 15"H	5"W x 32"H	5"W x 32"H	5"W x 56"H	CUSTOM (CONSULT FACTORY)				
LED (W)	18W	9W	9W	9W	18W					
LUMENS	1260	633	629	628	1293					
2.	30K			35K			40K			
CCT	3000K			3500K			4000K			
3.	UNI									
VOLTAGE	120V - 277V									
4.	F04	F05	F15	F16	F09	F31	F18	F06	F07	F08
FINISH (SPOKE)	MATTE WHITE	GLOSS WHITE	MATTE BLACK	GLOSS BLACK	PEWTER	SILVER METALLIC	SATIN ALUMINUM	CLAY BROWN	ZEUS BROWN	MIDNIGHT BLUE
	F10	F11	F13	F14	F21	F22	F24	F25	F26	F28
	FIRE RED	CITRUS ORANGE	FOREST GREEN	SUNSHINE YELLOW	ARCH. BRONZE	HARVEST GOLD	MELTED PLATINUM	MELTED GOLD	MELTED COPPER	DARK CAMPAGNE
	F32	F33	F38	F39	F40	F41	F45	RAL		
	BRONZE METALLIC	PYRITE BRONZE	MEADOW GREEN	AQUA BLUE	BUBBLE PINK	ELECTRIC PURPLE	COPPER METALLIC	CUSTOM (SPECIFY)		
5.	00	F04	F05	F15	F16	F09	F31	F18	F06	F07
ACCENT FINISH (BASE)	SAME AS OUTSIDE	MATTE WHITE	GLOSS WHITE	MATTE BLACK	GLOSS BLACK	PEWTER	SILVER METALLIC	SATIN ALUMINUM	CLAY BROWN	ZEUS BROWN
	F08	F10	F11	F13	F14	F21	F22	F24	F25	F26
	MIDNIGHT BLUE	FIRE RED	CITRUS ORANGE	FOREST GREEN	SUNSHINE YELLOW	ARCH. BRONZE	HARVEST GOLD	MELTED PLATINUM	MELTED GOLD	MELTED COPPER
	F28	F32	F33	F38	F39	F40	F41	F45	RAL	
	DARK CHAMPAGNE	BRONZE METALLIC	PYRITE BRONZE	MEADOW GREEN	AQUA BLUE	BUBBLE PINK	ELECTRIC PURPLE	COPPER METALLIC	CUSTOM (SPECIFY)	
6.	----					DIML				
DIMMING	NONE					0-10V, TRIAC, ELV				

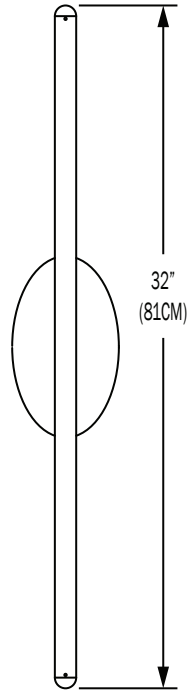
NOTE: SOME OPTIONS MAY NOT BE COMPATIBLE WITH OTHERS. ALL SPECIFICATIONS ARE SUBJECT TO CHANGE WITHOUT NOTICE. CONTACT TMS LIGHTING FOR UPDATED SPECIFICATIONS.

FIBONACCI W™ WALL

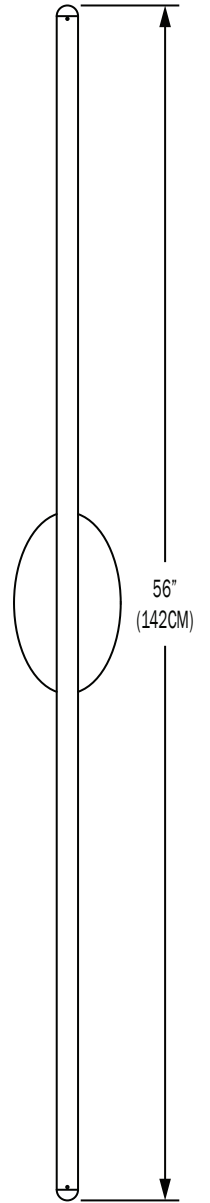
I032 3.5LBS



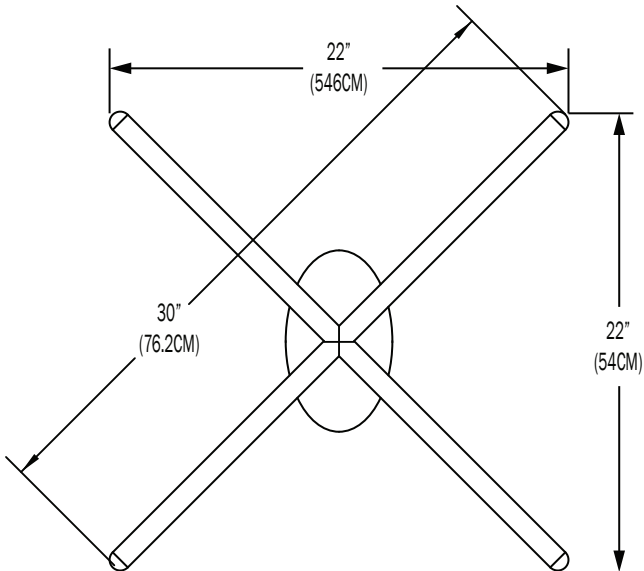
IS32 3.5LBS



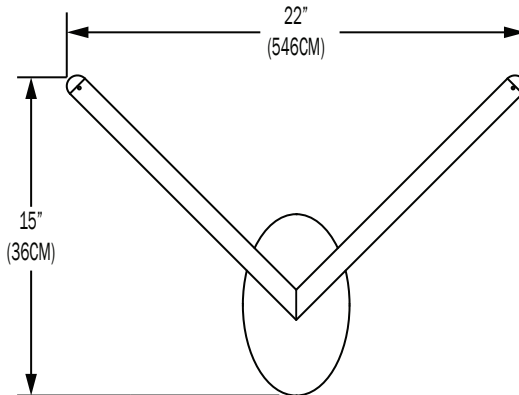
IS56 4LBS



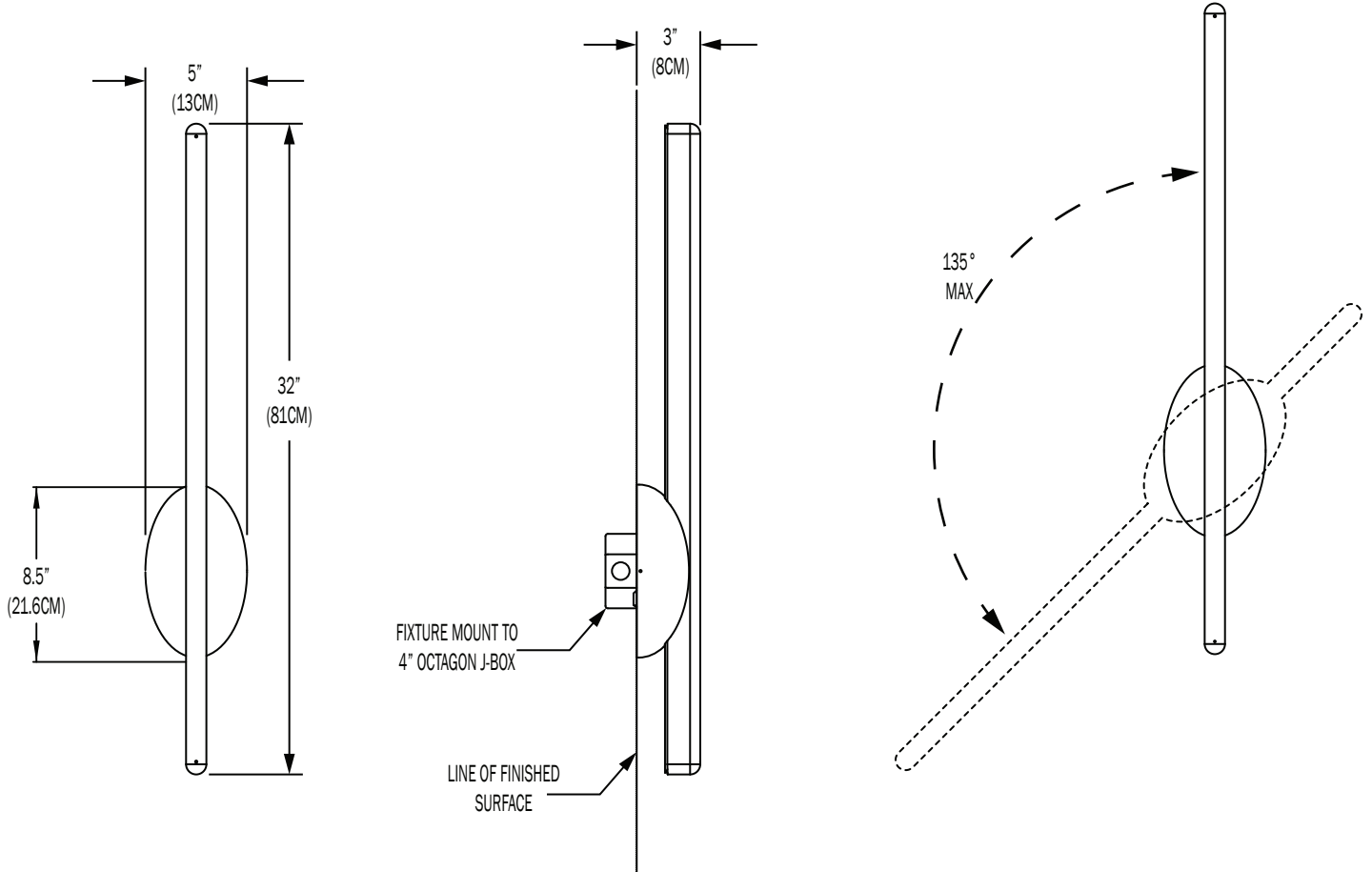
X22 4LBS



V22 3.5LBS



FIBONACCI W™ WALL



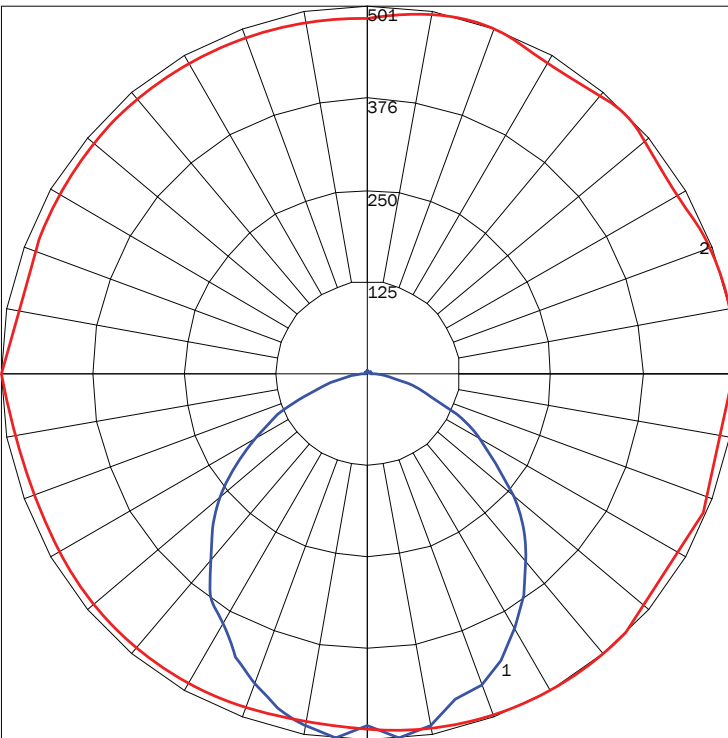
DIFFUSE

PN	SIZE (DIA)	LUMENS	WATTAGE
503FIW	X22	1260	18W
	V22	633	9W
	I032	629	9W
	IS32	628	9W
	IS56	1293	18W

IES INDOOR REPORT

PHOTOMETRIC FILENAME : 503FIW X22 35K UNI F05 F05

POLAR GRAPH



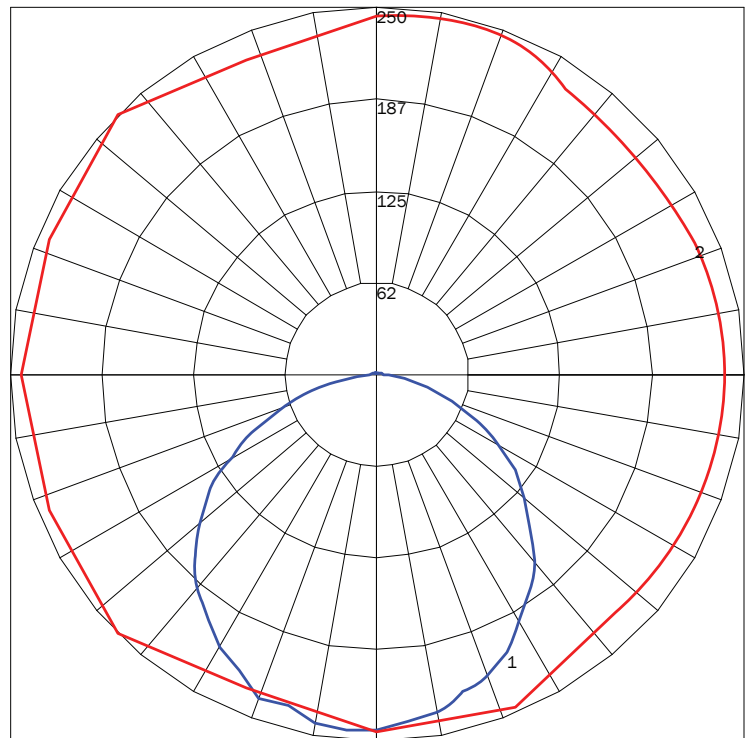
MAXIMUM CANDELA = 500.88 LOCATED AT HORIZONTAL ANGLE = 180, VERTICAL ANGLE = 5
 # 1 - VERTICAL PLANE THROUGH HORIZONTAL ANGLES (0 - 180)
 # 2 - VERTICAL PLANE THROUGH HORIZONTAL ANGLES (5) (THROUGH MAX. CD.)

LUMINAIRE LUMENS 1260
TOTAL LUMINAIRE EFFICIENCY 58%
LUMINAIRE EFFICACY RATING 70
TOTAL LUMINAIRE WATTS 18

IES INDOOR REPORT

PHOTOMETRIC FILENAME : 503FIW I032 35K UNI F05 F05

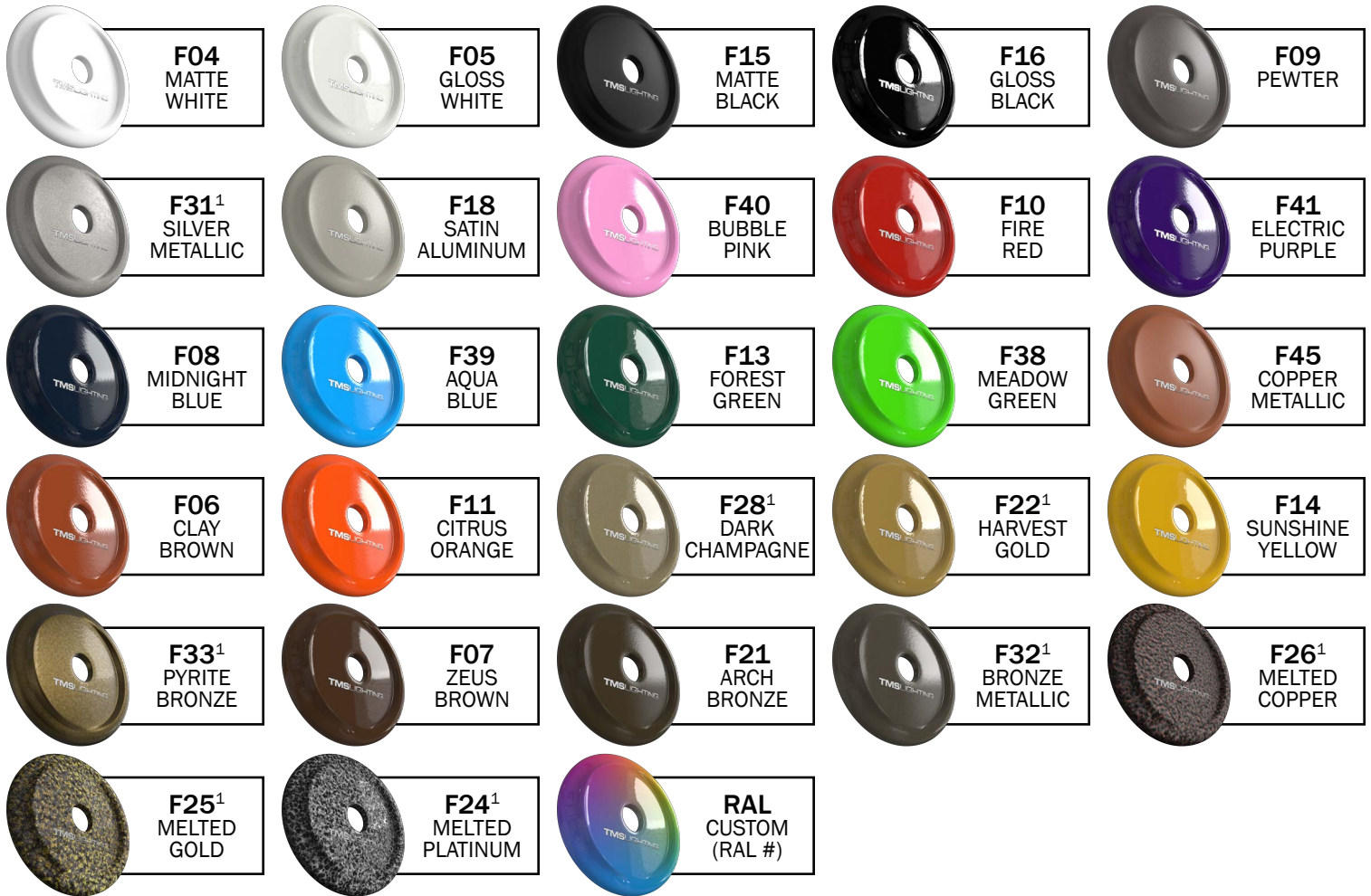
POLAR GRAPH



MAXIMUM CANDELA = 249.52 LOCATED AT HORIZONTAL ANGLE = 135, VERTICAL ANGLE = 5
 # 1 - VERTICAL PLANE THROUGH HORIZONTAL ANGLES (0 - 180)
 # 2 - VERTICAL PLANE THROUGH HORIZONTAL ANGLES (5) (THROUGH MAX. CD.)

LUMINAIRE LUMENS 629
TOTAL LUMINAIRE EFFICIENCY 58%
LUMINAIRE EFFICACY RATING 70
TOTAL LUMINAIRE WATTS 9

FINISHES



PREMIUM FINISHES



1: FINISHES IS APPLIED TO THE INTERIOR AND EXTERIOR OF THE FIXTURE.

2: MATERIALS ARE CONSISTENT (INTERIOR & EXTERIOR). STEMS AND CANOPIES WILL BE F16 GLOSS BLACK.

NOTE: ALL FINISHES NOT MARKED WITH NOTATION (1) ARE APPLIED TO THE EXTERIOR ONLY. THE INTERIOR WILL BE F05 GLOSS WHITE.

MATTE FINISHES AVAILABLE. CONSULT FACTORY.

FINISHES ARE SUBJECT TO AVAILABILITY AND MAY NOT BE APPLICABLE TO ALL FIXTURES OR FOR QUICKSHIP.

DISPLAYED FINISHES DIFFER BETWEEN SCREENS AS WELL AS PRINTERS AND MAY NOT ACCURATELY DEPICT COLOR.