

FIBONACCI V™ PENDANT

PROJECT: _____

TYPE: _____

QUANTITY: _____



PN: 502FIV

APPLICATION	<ul style="list-style-type: none">• PENDANT MOUNT• INDOOR RATED
DIMENSION	<ul style="list-style-type: none">• 20" L X 36" W (51CM X 91CM)
ILLUMINATION	<ul style="list-style-type: none">• DIRECT• LED 90CRI• 4,487 LUMENS
DRIVER	<ul style="list-style-type: none">• CANOPY OR REMOTE MOUNT• 120V, 277V, AND 347V• 10KA SURGE SUPPRESSION STANDARD
DIFFUSERS	<ul style="list-style-type: none">• HIGH EFFICIENCY ACRYLIC
MOUNTING	<ul style="list-style-type: none">• 96"(244CM) POWER OVER SUSPENSION
CONSTRUCTION	<ul style="list-style-type: none">• ALUMINUM
FINISHES	<ul style="list-style-type: none">• AVAILABLE IN SEVERAL TMS POWDER COATED FINISHES• CUSTOM RAL FINISHES AVAILABLE
DIMMING	<ul style="list-style-type: none">• 0 - 10V STANDARD DIMMING (1%)
WEIGHT	<ul style="list-style-type: none">• 8 LBS MAXIMUM



FIBONACCI V™ PENDANT



PROJECT: _____

TYPE: _____

QUANTITY: _____

502FIV

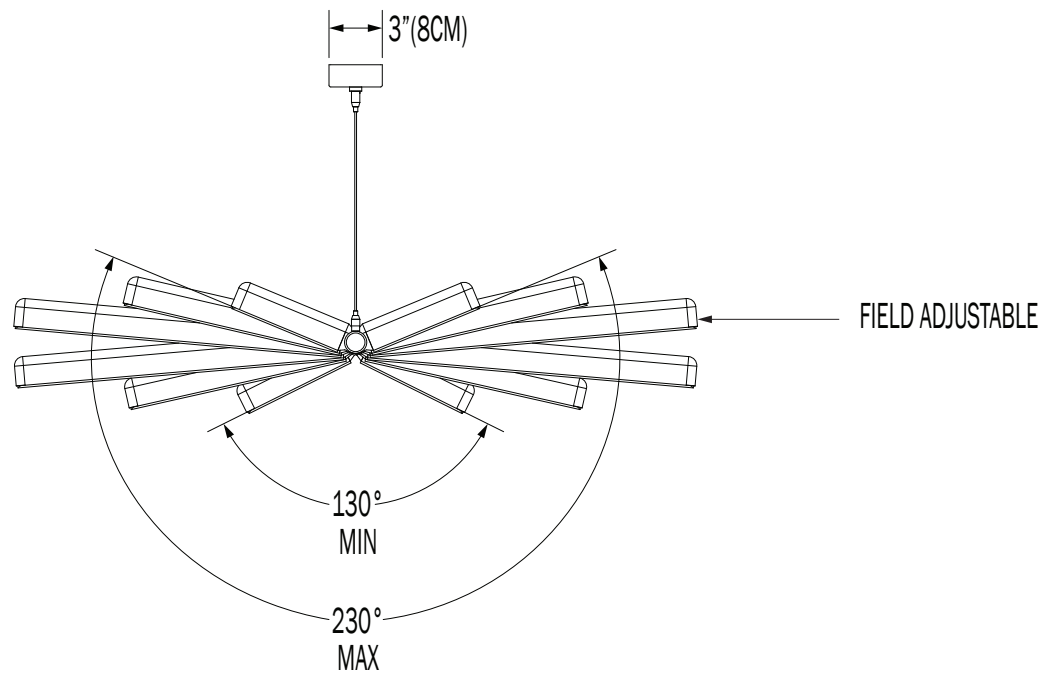
1 2 3 4 5 6 7

1.	36									
SIZE (L X W)	20" L X 36" W (51CM X 91CM)									
LED (W)	56W									
LUMENS	4487									
2.	30K			35K				40K		
LED CCT	3000			3500				4000		
3.	120			277				347		
VOLTAGE	120V			277V				347V		
4.	POS									
MOUNTING	POWER OVER SUSPENSION									
5.	CD					RM				
DRIVER	CANOPY MOUNT					REMOTE MOUNT				
8.	F04	F05	F09	F15	F16	F18	F21	F31	F33	RAL
FINISH	MATTE WHITE	GLOSS WHITE	PEWTER	MATTE BLACK	GLOSS BLACK	SATIN ALUMINUM	ARCH BRONZE	SILVER METALLIC	PYRITE BRONZE	CUSTOM (SPECIFY)
7.	NONE					DIML				
DIMMING	---					0 - 10V DIMMING (1%)				

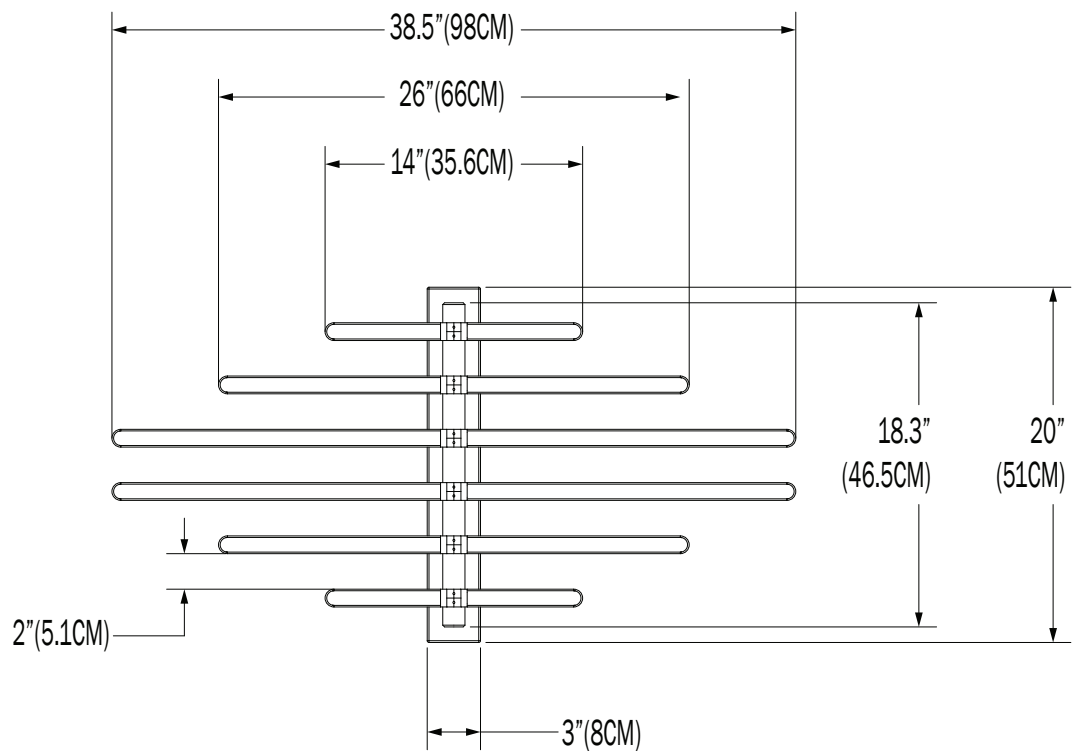
NOTE: SOME OPTIONS MAY NOT BE COMPATIBLE WITH OTHERS. ALL SPECIFICATIONS ARE SUBJECT TO CHANGE WITHOUT NOTICE. CONTACT TMS LIGHTING FOR UPDATED SPECIFICATIONS.

FIBONACCI V™ PENDANT

FRONT



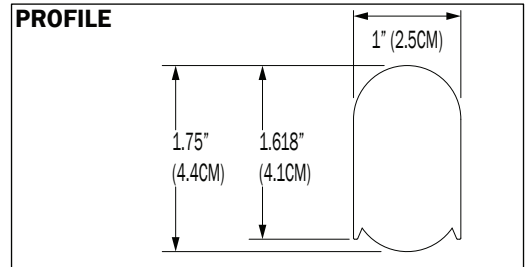
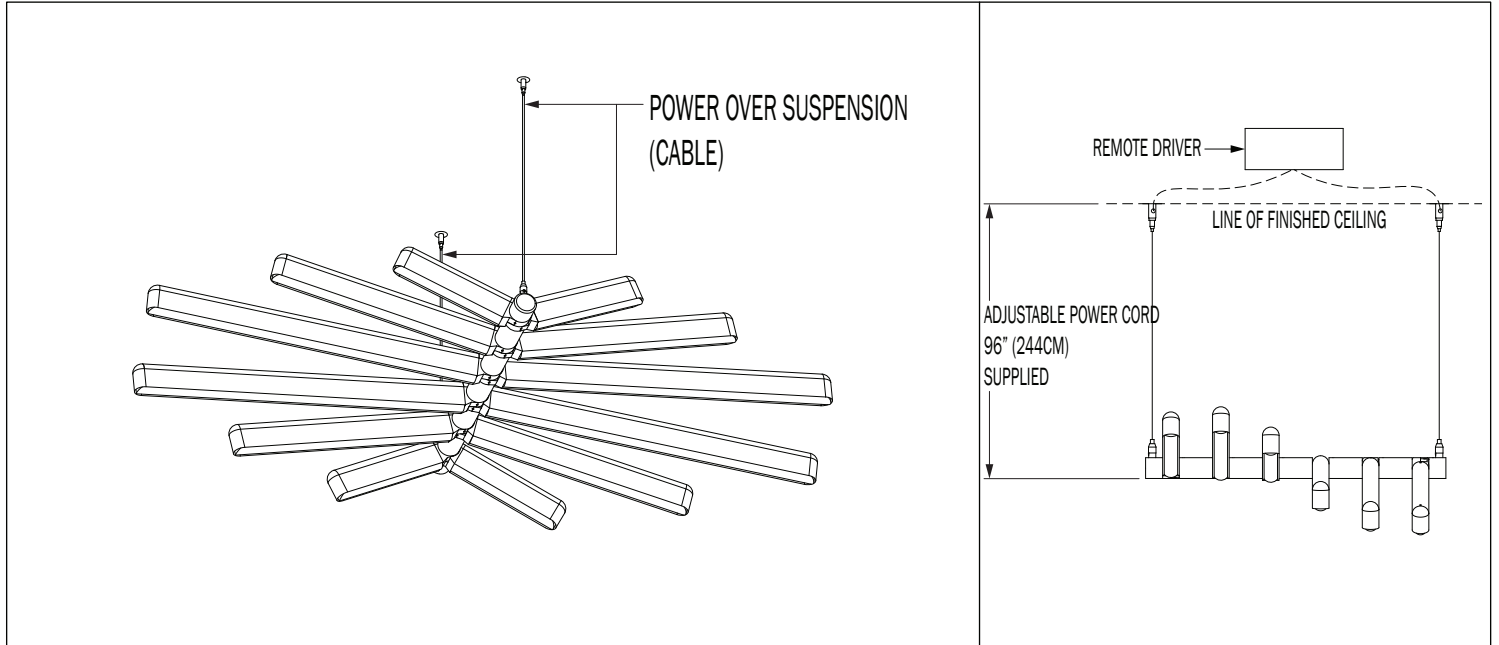
BOTTOM



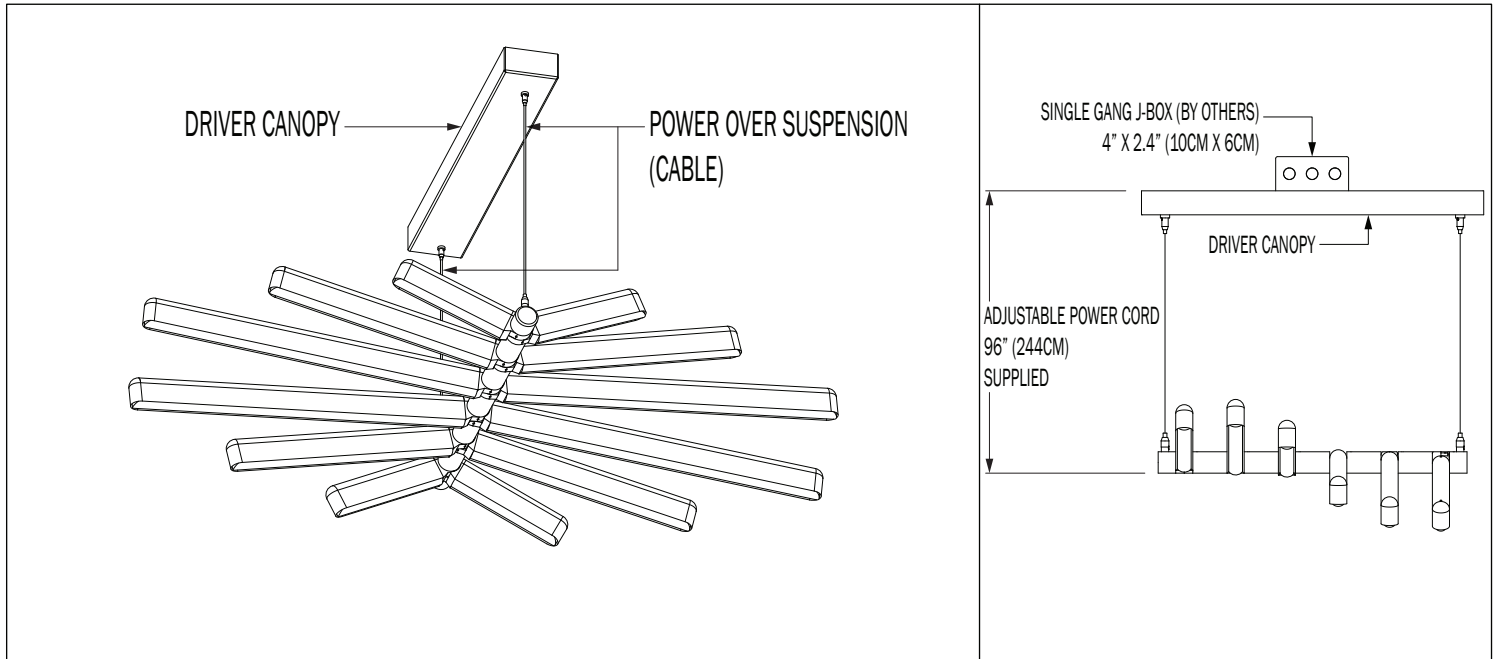
FIBONACCI V™ PENDANT

502FIV

RM - REMOTE MOUNT



CD - CANOPY MOUNT



FIBONACCI V™ PENDANT

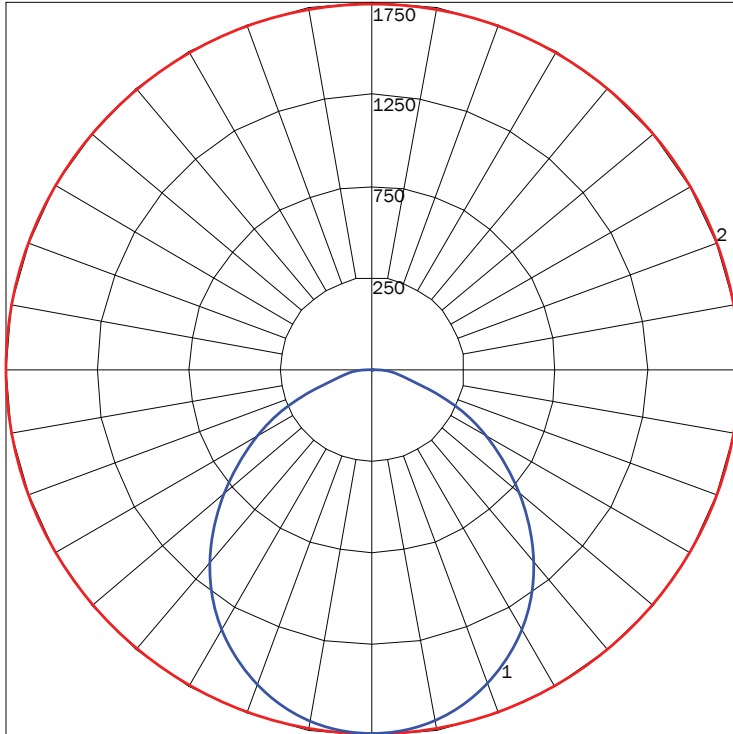
DIRECT

PN	LUMENS	WATTAGE
502FIV	4487	56

IES INDOOR REPORT

PHOTOMETRIC FILENAME : 502FIV 36 35K F05.IES

POLAR GRAPH



MAXIMUM CANDELA = 1792 LOCATED AT HORIZONTAL ANGLE = 0, VERTICAL ANGLE = 5
1 - VERTICAL PLANE THROUGH HORIZONTAL ANGLES (22.5 - 202.5) (THROUGH MAX. CD.)
2 - HORIZONTAL CONE THROUGH VERTICAL ANGLE (5) (THROUGH MAX. CD.)

LUMINAIRE LUMENS	4487
TOTAL LUMINAIRE EFFICIENCY	100%
LUMINAIRE EFFICACY RATING	80
TOTAL LUMINAIRE WATTS	56

FIBONACCI V™ PENDANT

AVAILABLE FINISHES



F04
MATTE
WHITE



F05
GLOSS
WHITE



F09
PEWTER



F15
MATTE
BLACK



F16
GLOSS
BLACK



F18
SATIN
ALUMINUM



F21
ARCH
BRONZE



F31
SILVER
METALLIC



F33
PYRITE
BRONZE



RAL
CUSTOM
COLOR
(RAL #)

NOTE: DISPLAYED FINISHES DIFFER BETWEEN SCREENS AS WELL AS PRINTERS AND MAY NOT ACCURATELY DEPICT COLOR.