

# FIBONACCI S™ PENDANT

PROJECT: \_\_\_\_\_

TYPE: \_\_\_\_\_

QUANTITY: \_\_\_\_\_



## PN: 500FIS

<b>APPLICATION</b>	<ul style="list-style-type: none"><li>• PENDANT MOUNT</li><li>• INDOOR RATED</li></ul>
<b>DIMENSION</b>	<ul style="list-style-type: none"><li>• 24", 36", 48" (61CM, 91CM, 122CM)</li></ul>
<b>ILLUMINATION</b>	<ul style="list-style-type: none"><li>• DIRECT</li><li>• LED 90CRI</li><li>• 3,740 - 7,450 LUMENS</li></ul>
<b>DRIVER</b>	<ul style="list-style-type: none"><li>• CANOPY OR REMOTE MOUNT</li><li>• 120V, 277V, AND 347V</li><li>• 10KA SURGE SUPPRESSION STANDARD</li></ul>
<b>DIFFUSERS</b>	<ul style="list-style-type: none"><li>• HIGH EFFICIENCY ACRYLIC</li></ul>
<b>MOUNTING</b>	<ul style="list-style-type: none"><li>• 96"(244CM) POWER OVER SUSPENSION</li></ul>
<b>CONSTRUCTION</b>	<ul style="list-style-type: none"><li>• ALUMINUM</li></ul>
<b>FINISHES</b>	<ul style="list-style-type: none"><li>• AVAILABLE IN SEVERAL TMS POWDER COATED FINISHES</li><li>• CUSTOM RAL FINISHES AVAILABLE</li></ul>
<b>DIMMING</b>	<ul style="list-style-type: none"><li>• 0 - 10V STANDARD DIMMING (1%)</li></ul>
<b>WEIGHT</b>	<ul style="list-style-type: none"><li>• 11 LBS MAXIMUM</li></ul>



# FIBONACCI S™ PENDANT



PROJECT: \_\_\_\_\_

TYPE: \_\_\_\_\_

QUANTITY: \_\_\_\_\_

## 500FIS

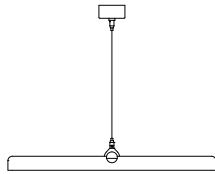
1 2 3 4 5 6 7

1.	2L2W		2L3W		2L4W		CUS			
SIZE	21.5"L X 24"W (55CM X 61CM)		21.5"L X 36"W (55CM X 91CM)		21.5"L X 48"W (55CM X 122CM)		CUSTOM SIZE (SPECIFY)			
LED (W)	47W		70W		94W					
LUMENS	3740		5610		7450					
2.	30K		35K		40K					
LED CCT	3000		3500		4000					
3.	120		277		347					
VOLTAGE	120V		277V		347V					
4.	POS									
MOUNTING	POWER OVER SUSPENSION									
5.	CD					RM				
DRIVER	CANOPY MOUNT					REMOTE MOUNT				
6.	F04	F05	F09	F15	F16	F18	F21	F31	F33	RAL
FINISH	MATTE WHITE	GLOSS WHITE	PEWTER	MATTE BLACK	GLOSS BLACK	SATIN ALUMINUM	ARCH BRONZE	SILVER METALLIC	PYRITE BRONZE	CUSTOM (SPECIFY)
7.	NONE					DIML				
DIMMING	---					0 - 10V DIMMING (1%)				

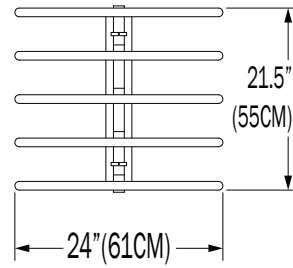
NOTE: SOME OPTIONS MAY NOT BE COMPATIBLE WITH OTHERS. ALL SPECIFICATIONS ARE SUBJECT TO CHANGE WITHOUT NOTICE. CONTACT TMS LIGHTING FOR UPDATED SPECIFICATIONS.

# FIBONACCI S™ PENDANT

**FRONT**

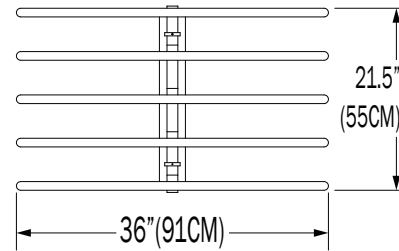
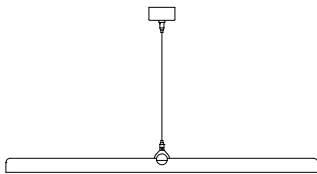


**BOTTOM**



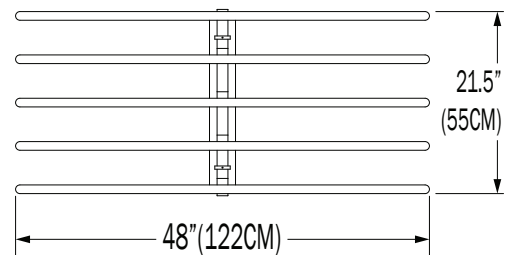
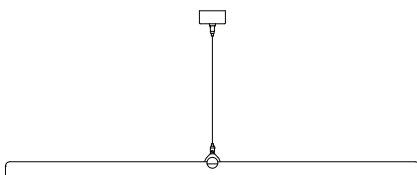
**6.5LB**

**2L2W**



**9LB**

**2L3W**

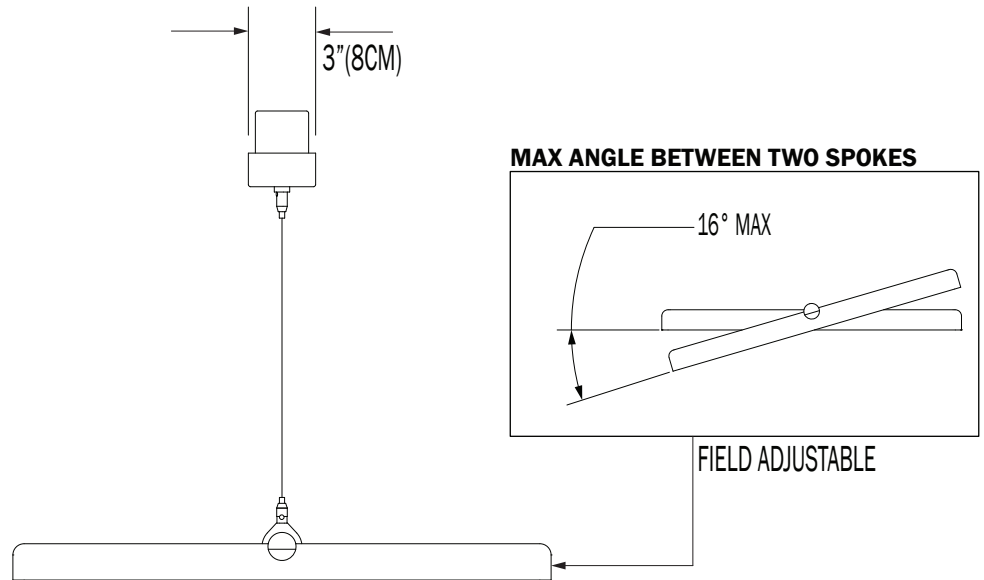


**11LB**

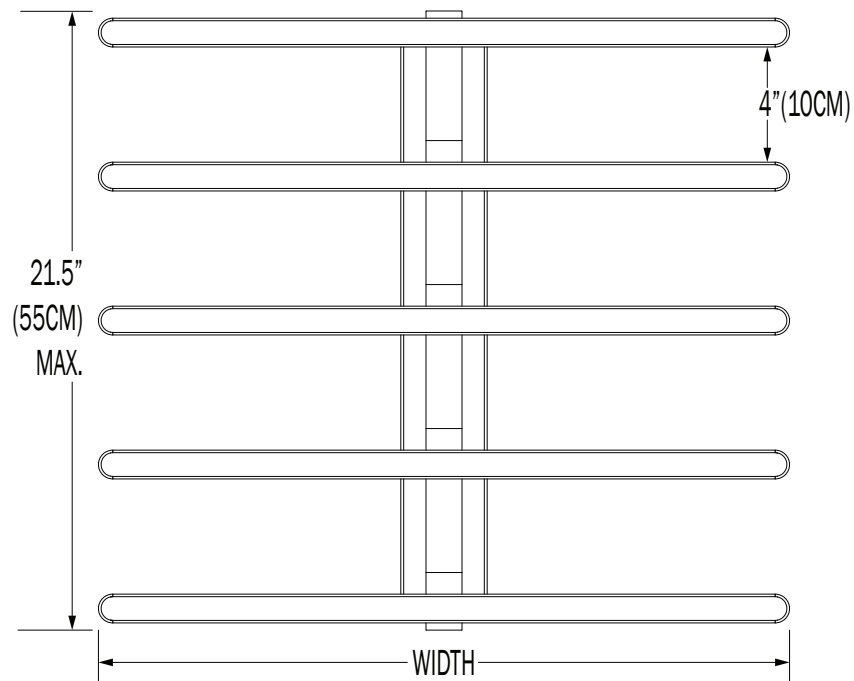
**2L4W**

# FIBONACCI S™ PENDANT

## FRONT



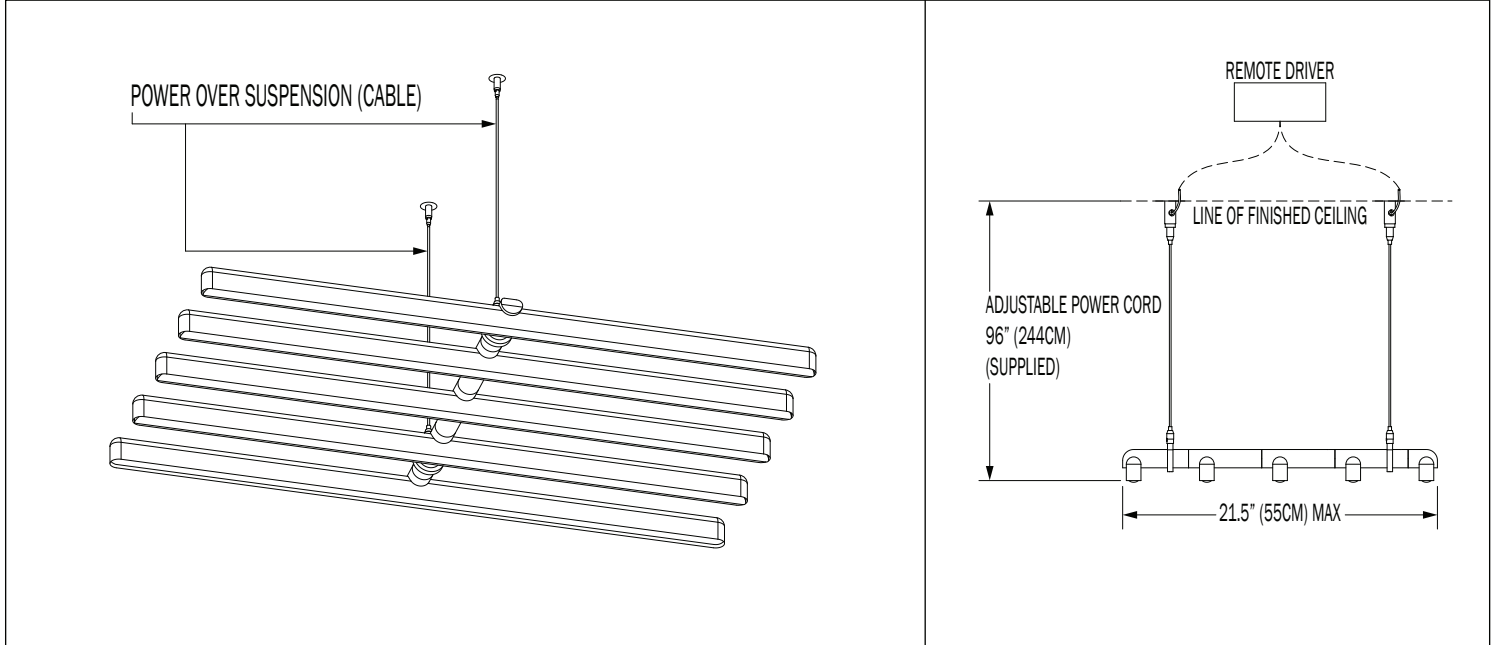
## BOTTOM



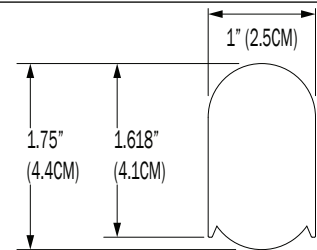
# FIBONACCI S™ PENDANT

## 500FIS

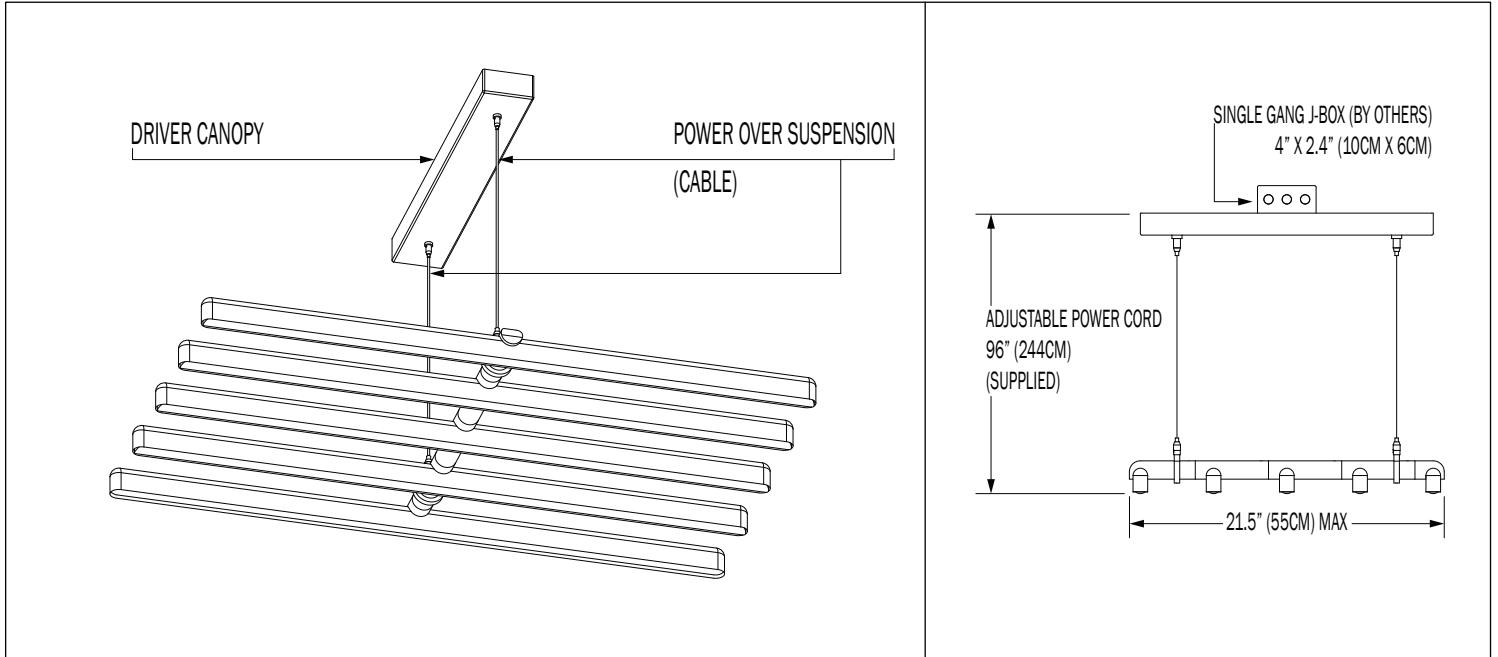
### RM - REMOTE MOUNT



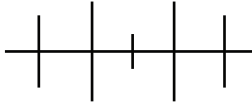
### PROFILE

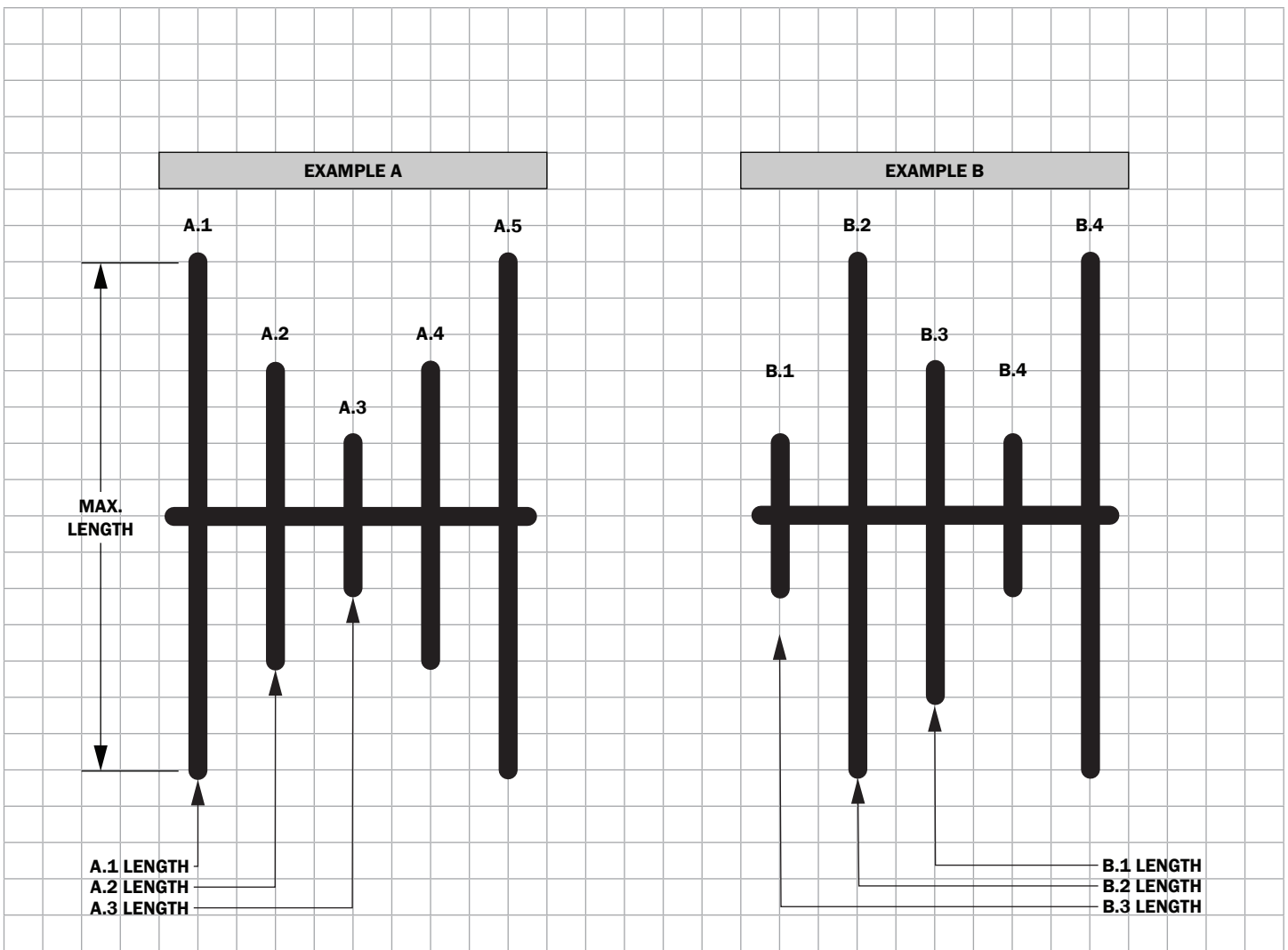


### CD - CANOPY MOUNT



**CUSTOM CONFIGURATION DRAWING IS REQUIRED IF CHOSE CUSTOM, EXAMPLE SKETCH DESIGNS BELOW.**

STEPS	EXAMPLE		
CONFIGURE YOUR SECTION PATTERN			
CHOOSE INDICATED DESIRED LENGTHS OF EACH SPOKES :	2'	3'	4'



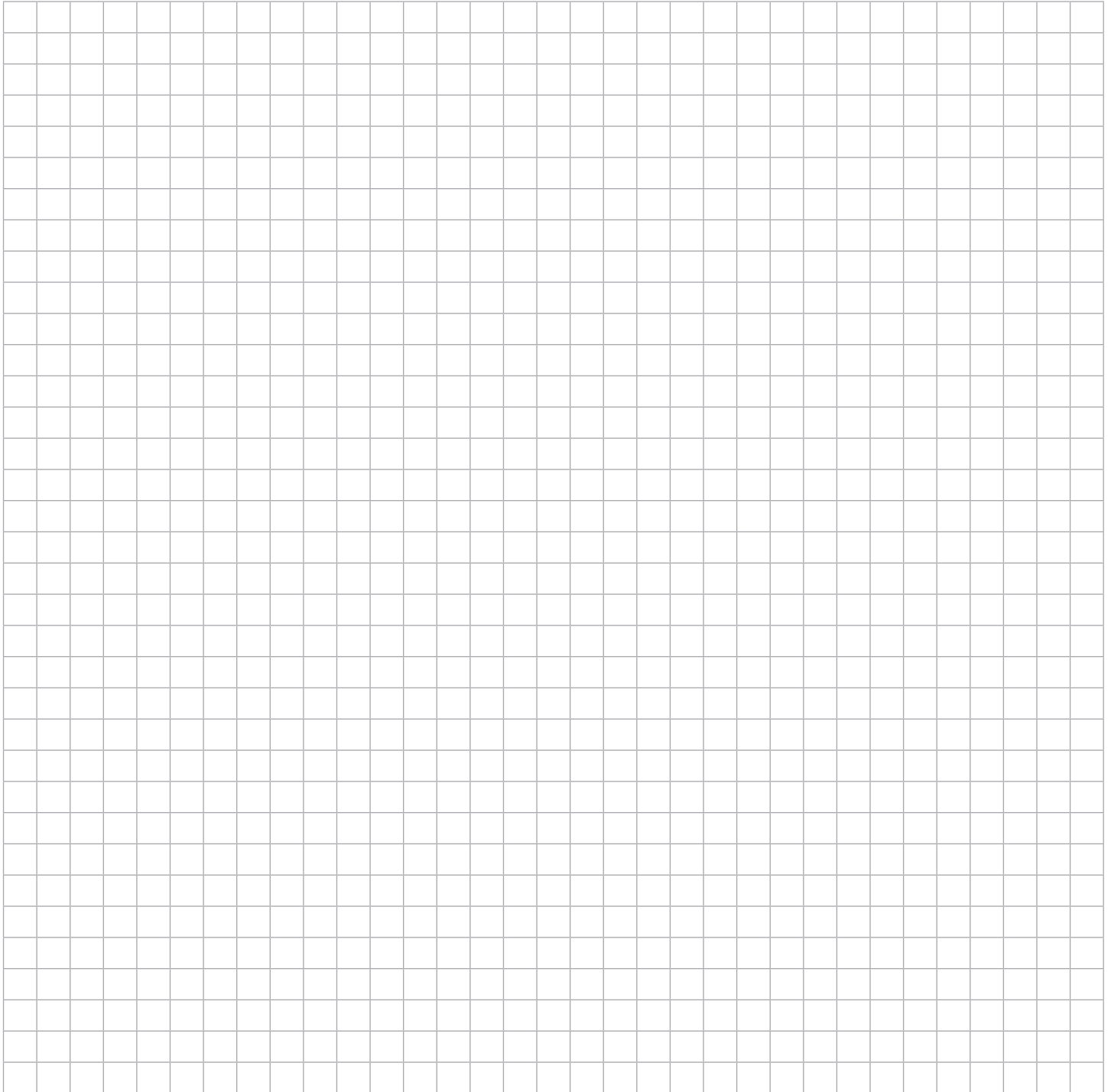
**SPOKE LENGTH:**

- A .1 4
- A .2 3
- A .3 2
- A .4
- A .5

- B .1 2
- B .2 4
- B .3 3
- B .4
- B .5

NOTE: MAX LENGTH IS 4FT. CONTACT TMS LIGHTING FOR LENGTH LONGER THAN 4FT.

**SKETCH YOUR DESIGN BELOW.**



**SPOKE LENGTH:**

- 1.
- 2.
- 3.
- 4.
- 5.

# FIBONACCI S™ PENDANT

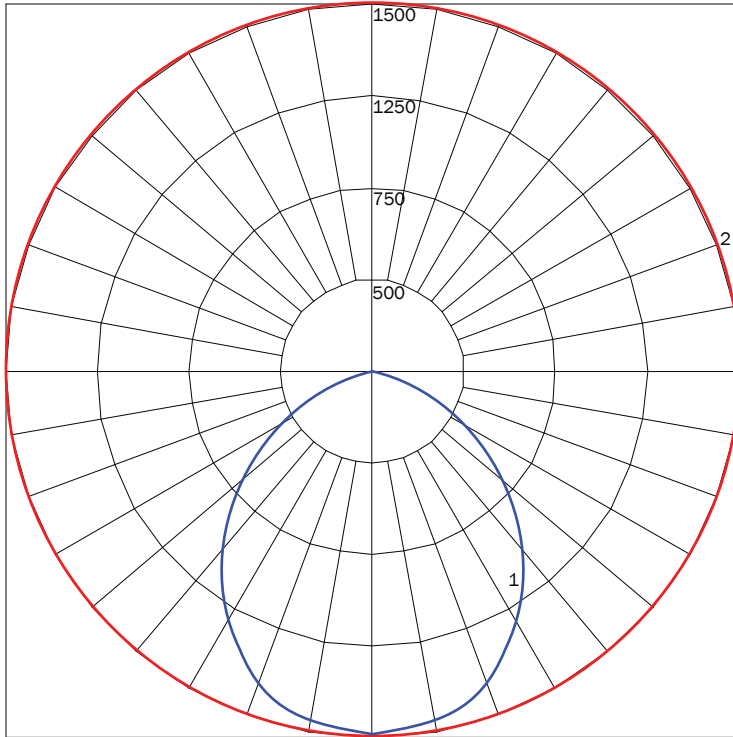
## DIRECT

PN	SIZE (L X W)	LUMENS	WATTAGE
501FIS	2L2W	3740	47
	2L3W	5610	70
	2L4W	7450	94

### IES INDOOR REPORT

PHOTOMETRIC FILENAME : 500FIS 2L2W 35K F05.IES

### POLAR GRAPH



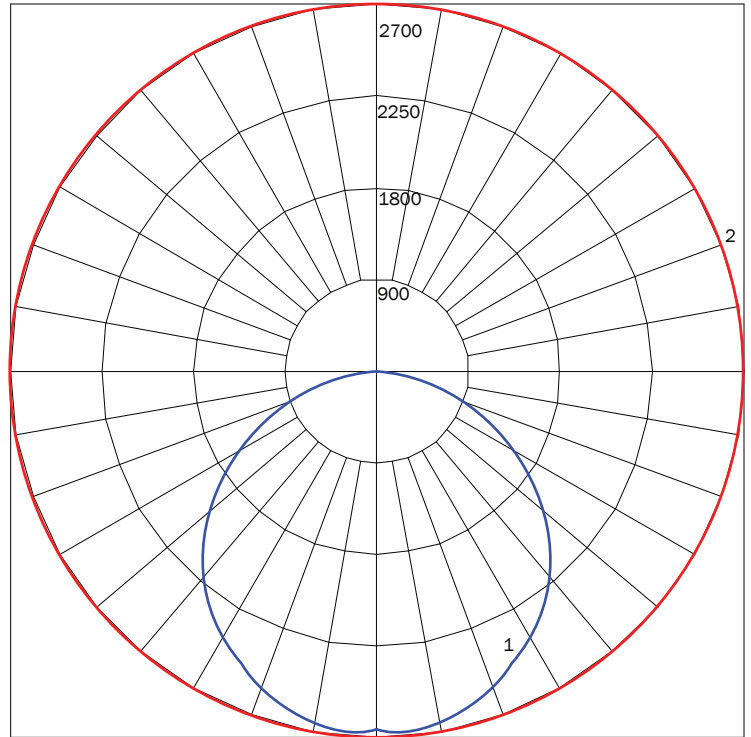
MAXIMUM CANDELA = 1494 LOCATED AT HORIZONTAL ANGLE = 0, VERTICAL ANGLE = 0  
 # 1 - VERTICAL PLANE THROUGH HORIZONTAL ANGLES (0 - 180)  
 # 2 - HORIZONTAL CONE THROUGH VERTICAL ANGLE (0) (THROUGH MAX. CD.)

**LUMINAIRE LUMENS** 3740  
**TOTAL LUMINAIRE EFFICIENCY** 100%  
**LUMINAIRE EFFICACY RATING** 80  
**TOTAL LUMINAIRE WATTS** 47

### IES INDOOR REPORT

PHOTOMETRIC FILENAME : 500FIS 2L4W 35K F05.IES

### POLAR GRAPH



MAXIMUM CANDELA = 2964 LOCATED AT HORIZONTAL ANGLE = 45, VERTICAL ANGLE = 0  
 # 1 - VERTICAL PLANE THROUGH HORIZONTAL ANGLES (45 - 225) (THROUGH MAX. CD.)  
 # 2 - HORIZONTAL CONE THROUGH VERTICAL ANGLE (25) (THROUGH MAX. CD.)

**LUMINAIRE LUMENS** 7450  
**TOTAL LUMINAIRE EFFICIENCY** 100%  
**LUMINAIRE EFFICACY RATING** 79  
**TOTAL LUMINAIRE WATTS** 94



## AVAILABLE FINISHES



**F04**  
MATTE  
WHITE



**F05**  
GLOSS  
WHITE



**F09**  
PEWTER



**F15**  
MATTE  
BLACK



**F16**  
GLOSS  
BLACK



**F18**  
SATIN  
ALUMINUM



**F21**  
ARCH  
BRONZE



**F31**  
SILVER  
METALLIC



**F33**  
PYRITE  
BRONZE



**RAL**  
CUSTOM  
COLOR  
(RAL #)

NOTE: DISPLAYED FINISHES DIFFER BETWEEN SCREENS AS WELL AS PRINTERS AND MAY NOT ACCURATELY DEPICT COLOR.