

# FIBONACCI R™ PENDANT

PROJECT: \_\_\_\_\_

TYPE: \_\_\_\_\_

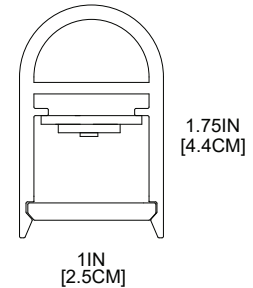
QUANTITY: \_\_\_\_\_



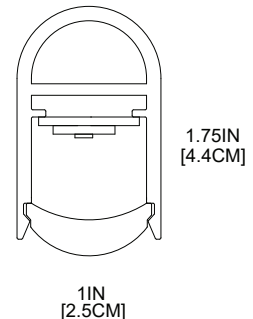
PN: 504FIR

<b>ILLUMINATION</b>	<ul style="list-style-type: none"> <li>• 2,343 - 4,325 LUMENS</li> <li>• DIRECT</li> <li>• LED 90CRI</li> </ul>
<b>APPLICATION</b>	<ul style="list-style-type: none"> <li>• DIRECT PENDANT MOUNT</li> <li>• INDOOR RATED</li> </ul>
<b>DIMENSION</b>	<ul style="list-style-type: none"> <li>• 24" and 48" DIA. (61cm, 91cm, 122cm)</li> <li>• PROFILE: 1"W X 1.75"H (2.5cm X 4.4cm)</li> </ul>
<b>ELECTRICAL</b>	<ul style="list-style-type: none"> <li>• 120 - 277V</li> <li>• 10KV SURGE SUPPRESSION</li> </ul>
<b>DIFFUSERS</b>	<ul style="list-style-type: none"> <li>• HIGH EFFICIENCY ACRYLIC</li> </ul>
<b>MOUNTING</b>	<ul style="list-style-type: none"> <li>• 120" POWER OVER SUSPENSION</li> </ul>
<b>LED DRIVER</b>	<ul style="list-style-type: none"> <li>• CANOPY OR REMOTE MOUNT</li> </ul>
<b>CONSTRUCTION</b>	<ul style="list-style-type: none"> <li>• ALUMINUM</li> </ul>
<b>FINISHES</b>	<ul style="list-style-type: none"> <li>• AVAILABLE IN SEVERAL TMS POWDER COATED FINISHES</li> <li>• CUSTOM RAL FINISHES AVAILABLE</li> </ul>
<b>DIMMING</b>	<ul style="list-style-type: none"> <li>• 0 - 10V (1%) DIMMING (120-277V)</li> <li>• LINE VOLTAGE/TRIAC/ELV (120V ONLY)</li> <li>• LUTRON HI-LUME (1%) DIMMING (120-277V)</li> </ul>
<b>WEIGHT</b>	<ul style="list-style-type: none"> <li>• 5 LBS MINIMUM, 8.5 LBS MAXIMUM</li> </ul>

## FLAT DIFFUSER



## DOM DIFFUSER



# FIBONACCI R™ PENDANT



PROJECT: \_\_\_\_\_

TYPE: \_\_\_\_\_

QUANTITY: \_\_\_\_\_

## 504FIR

1      2      3      4      5      6      7      8

1.	24D	48D
DIA	24"DIA. (61CM)	48"DIA. (122CM)
LED (W)	31W	56W
LUMENS	2343	4325

2.	H	M	L	C_____1
OUTPUT	100% LUMEN OUTPUT	75% LUMEN OUTPUT	50% LUMEN OUTPUT	[CUSTOM] % LUMEN OUTPUT

3.	30K	35K	40K
LED CCT	3000	3500	4000

4.	MMCD	MMRM	PSCD	PSRM
MOUNTING	MULTIPLE CABLES WITH CANOPY DRIVER	MULTIPLE CABLES WITH REMOTE DRIVER	SINGLE POINT WITH CANOPY DRIVER	SINGLE POINT WITH REMOTE DRIVER

5.	POS
CORD	POWER OVER SUSPENSION W/ AIRCRAFT CABLES

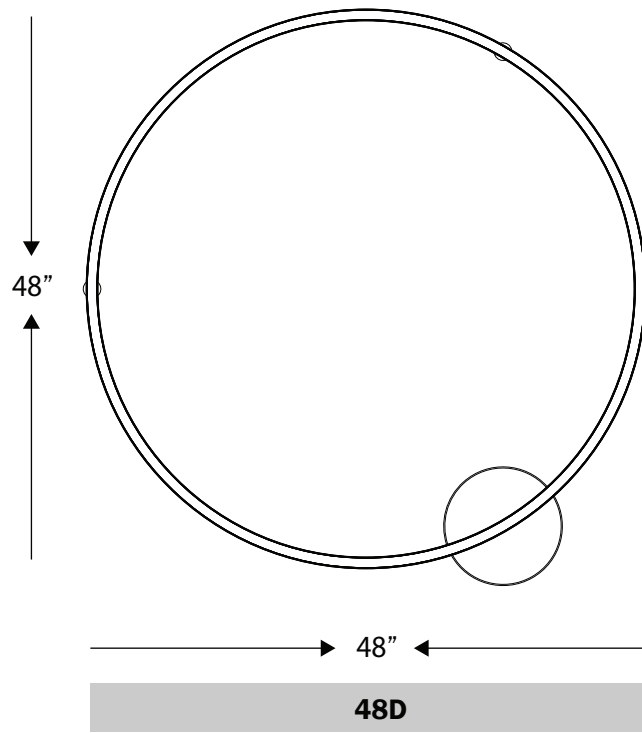
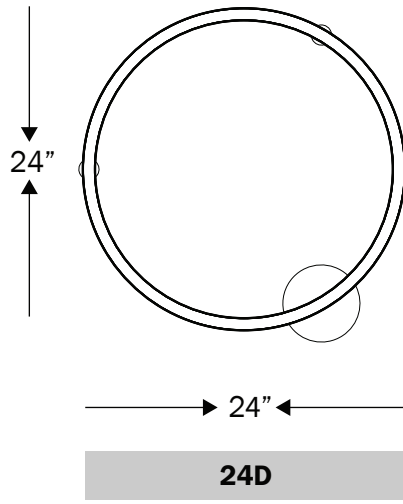
6.	FLAT	DOM
DIFFUSER	FLAT DIFFUSER	DOME DIFFUSER

7.	ADDITIONAL AND PREMIUM FINISHES AVAILABLE. SEE FINISHES CHART	F04	F05	F15	F16	F09	F31	F18
FINISH		MATTE WHITE	GLOSS WHITE	MATTE BLACK	GLOSS BLACK	PEWTER	SILVER METALLIC	SATIN ALUMINUM

8.	DIML	DIME	DIMV
DIMMING	0-10V (1%) (120-277V)	LUTRON HI-LUME (1%) (120-277V)	LINE VOLTAGE/TRIAC/ELV (120V ONLY)

NOTE: SOME OPTIONS MAY NOT BE COMPATIBLE WITH OTHERS. ALL SPECIFICATIONS ARE SUBJECT TO CHANGE WITHOUT NOTICE. CONTACT TMS LIGHTING FOR UPDATED SPECIFICATIONS.

# FIBONACCI R™ PENDANT

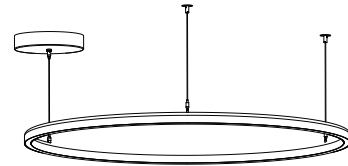
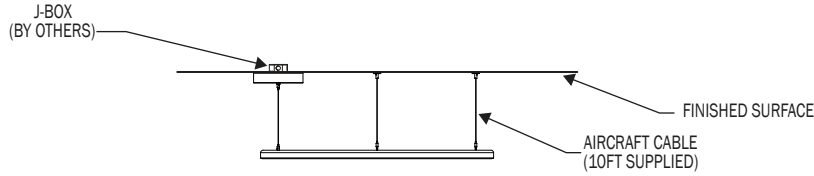


SIZES	DIAMETER	MOUNTING POINT	MINIMUM DISTANCE <sup>1,2</sup>	CANOPY SIZE		NUMBER OF CANOPY	WEIGHT (POUNDS - LBS)	SECTIONS
				MMCD	PSCD - PSRM			
24	24"	3	16.5"	5.72"	12"	1	5	1
48	47.5"	3	50"	10"	12"	1	8.5	1

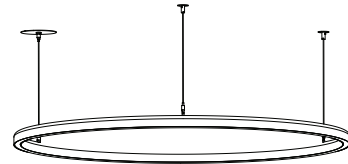
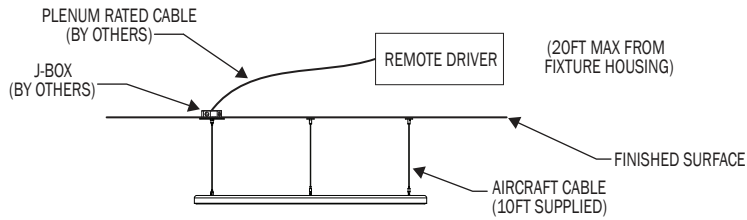
<sup>1</sup> ONLY FOR PS (SINGLE POINT) MOUNTING OPTION, THIS IS THE MINIMUM DISTANCE FROM CEILING TO THE BOTTOM OF THE FIXTURE  
<sup>2</sup> MINIMUM CABLE MOUNTING ANGLE IS 70°

## POS (POWER OVER SUSPENSION)

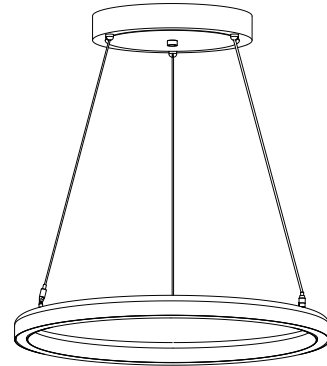
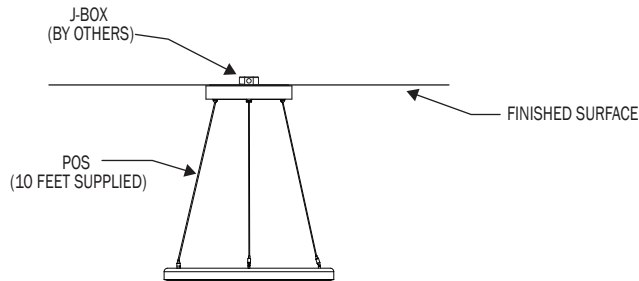
### MMCD COMBINATION (MUTIPLE CABLES, CANOPY MOUNT DRIVER)



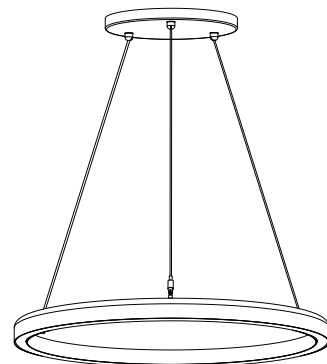
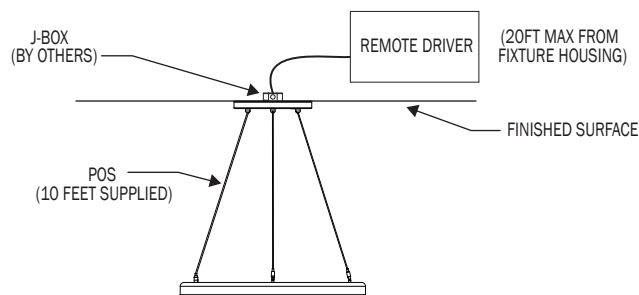
### MMRM COMBINATION (MUTIPLE CABLES, REMOTE MOUNT DRIVER)



### PSCD COMBINATION (SINGLE POINT, CANOPY MOUNT DRIVER)



### PSRM COMBINATION (SINGLE POINT, REMOTE MOUNT DRIVER)



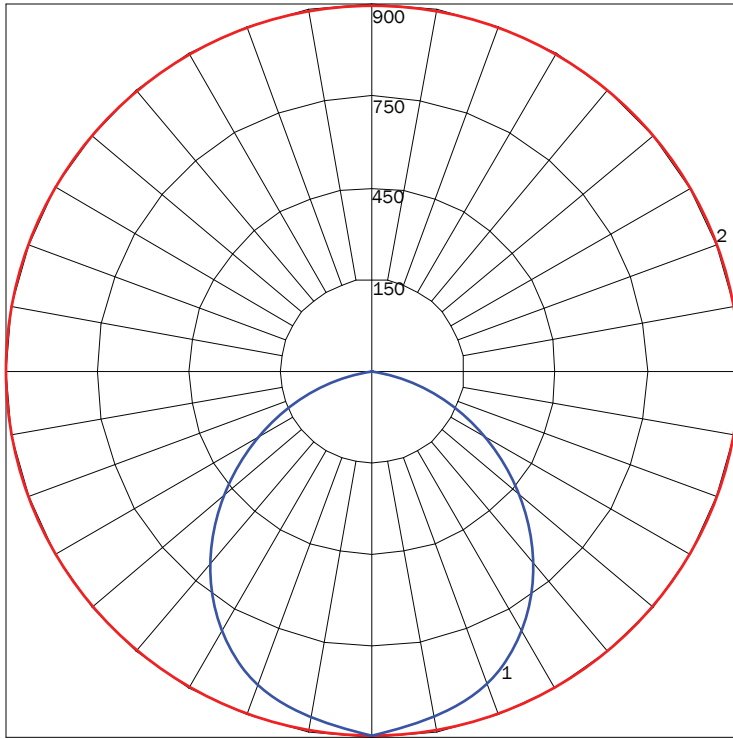
# FIBONACCI R™ PENDANT

## DIRECT

PN	SIZE (DIA)	LUMENS	WATTAGE
504FIR	24D	2343	31
	48D	4325	56

**IES INDOOR REPORT**  
**PHOTOMETRIC FILENAME :** 504FIR 24D 35K F05.IES

### POLAR GRAPH

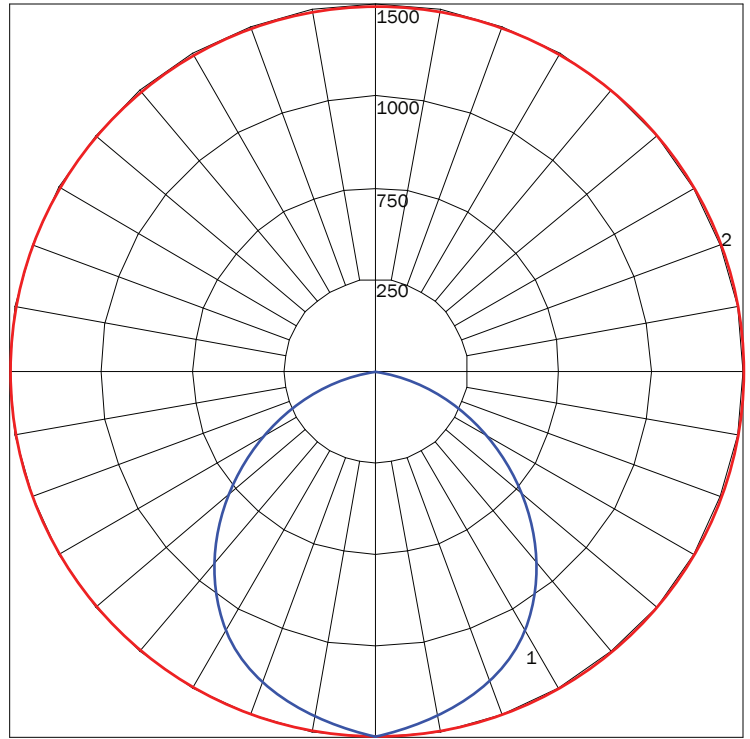


MAXIMUM CANDELA = 927 LOCATED AT HORIZONTAL ANGLE = 0, VERTICAL ANGLE = 0  
 # 1 - VERTICAL PLANE THROUGH HORIZONTAL ANGLES (0 - 180) (THROUGH MAX. CD.)  
 # 2 - HORIZONTAL CONE THROUGH VERTICAL ANGLE (5) (THROUGH MAX. CD.)

**LUMINAIRE LUMENS** 2343  
**TOTAL LUMINAIRE EFFICIENCY** 100%  
**LUMINAIRE EFFICACY RATING** 76  
**TOTAL LUMINAIRE WATTS** 31

**IES INDOOR REPORT**  
**PHOTOMETRIC FILENAME :** 504FIR 48D 35K F05.IES

### POLAR GRAPH

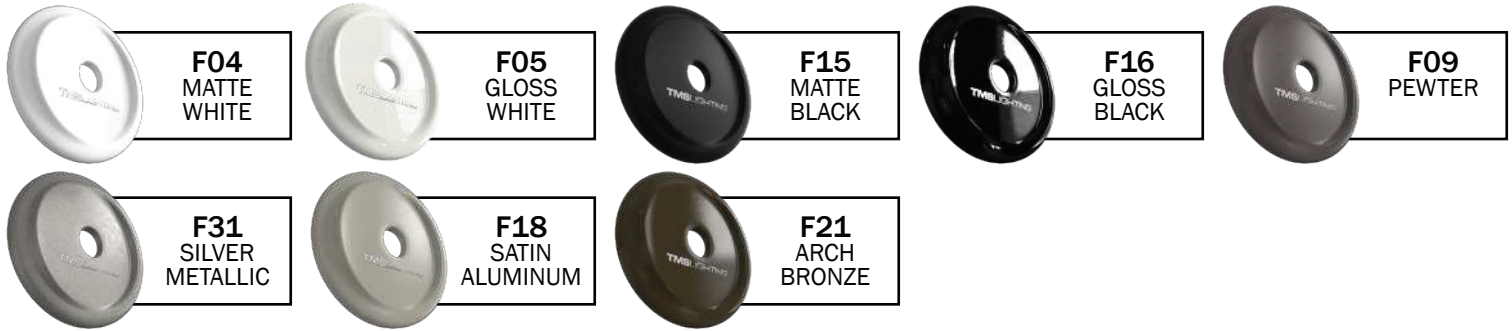


MAXIMUM CANDELA = 1740 LOCATED AT HORIZONTAL ANGLE = 0, VERTICAL ANGLE = 45  
 # 1 - VERTICAL PLANE THROUGH HORIZONTAL ANGLES (45 - 225) (THROUGH MAX. CD.)  
 # 2 - HORIZONTAL CONE THROUGH VERTICAL ANGLE (25) (THROUGH MAX. CD.)

**LUMINAIRE LUMENS** 4325  
**TOTAL LUMINAIRE EFFICIENCY** 100%  
**LUMINAIRE EFFICACY RATING** 77  
**TOTAL LUMINAIRE WATTS** 56

# FIBONACCI R™ PENDANT

## FINISHES



## PREMIUM FINISHES



NOTE: DISPLAYED FINISHES DIFFER BETWEEN SCREENS AS WELL AS PRINTERS AND MAY NOT ACCURATELY DEPICT COLOR.