

FIBONACCI R™ PENDANT

PROJECT: _____

TYPE: _____

QUANTITY: _____



PN: 504FIR

APPLICATION	<ul style="list-style-type: none">• PENDANT MOUNT• INDOOR RATED
DIMENSION	<ul style="list-style-type: none">• 24", AND 48" (61CM, AND 122CM)
ILLUMINATION	<ul style="list-style-type: none">• DIRECT• LED 90CRI• 2,343 - 4,325
DRIVER	<ul style="list-style-type: none">• CANOPY OR REMOTE MOUNT• 120V, 277V, AND UNI (120 - 277V)• 10ka SURGE SUPPRESSION STANDARD
DIFFUSERS	<ul style="list-style-type: none">• HIGH EFFICIENCY ACRYLIC
MOUNTING	<ul style="list-style-type: none">• 96" (244CM) POWER OVER SUSPENSION W/ AIRCRAFT CABLES
CONSTRUCTION	<ul style="list-style-type: none">• ALUMINUM
FINISHES	<ul style="list-style-type: none">• AVAILABLE IN SEVERAL TMS POWDER COATED FINISHES• CUSTOM RAL FINISHES AVAILABLE
DIMMING	<ul style="list-style-type: none">• 0 - 10V STANDARD DIMMING
WEIGHT	<ul style="list-style-type: none">• 8.5 LBS MAXIMUM



DIRECT

FIBONACCI R™ PENDANT



PROJECT: _____

TYPE: _____

QUANTITY: _____

504FIR

1 2 3 4 5 6 7 8

1.	24D					48D				
DIAMETER	24" DIA. (61CM)					48" DIA. (122CM)				
LED (W)	31W					56W				
LUMENS	2343					4325				
2.	H		M			L			C ¹	
OUTPUT	100% LUMEN OUTPUT		75% LUMEN OUTPUT			50% LUMEN OUTPUT			[CUSTOM] % LUMEN OUTPUT	
3.	30K			35K			40K			
LED CCT	3000			3500			4000			
4.	120			277			UNI			
VOLTAGE	120V			277V			120 - 277V			
5.	POS									
MOUNTING	POWER OVER SUSPENSION W/ AIRCRAFT CABLES									
6.	CD					RM				
DRIVER	CANOPY MOUNT					REMOTE MOUNT				
7.	F04	F05	F09	F15	F16	F18	F21	F31	F33	RAL
FINISH	MATTE WHITE	GLOSS WHITE	PEWTER	MATTE BLACK	GLOSS BLACK	SATIN ALUMINUM	ARCH BRONZE	SILVER METALLIC	PYRITE BRONZE	CUSTOM (SPECIFY)
8.	NONE					DIML				
DIMMING	---					LED DIMMING (0 - 10V, CURRENT - SINKING)				

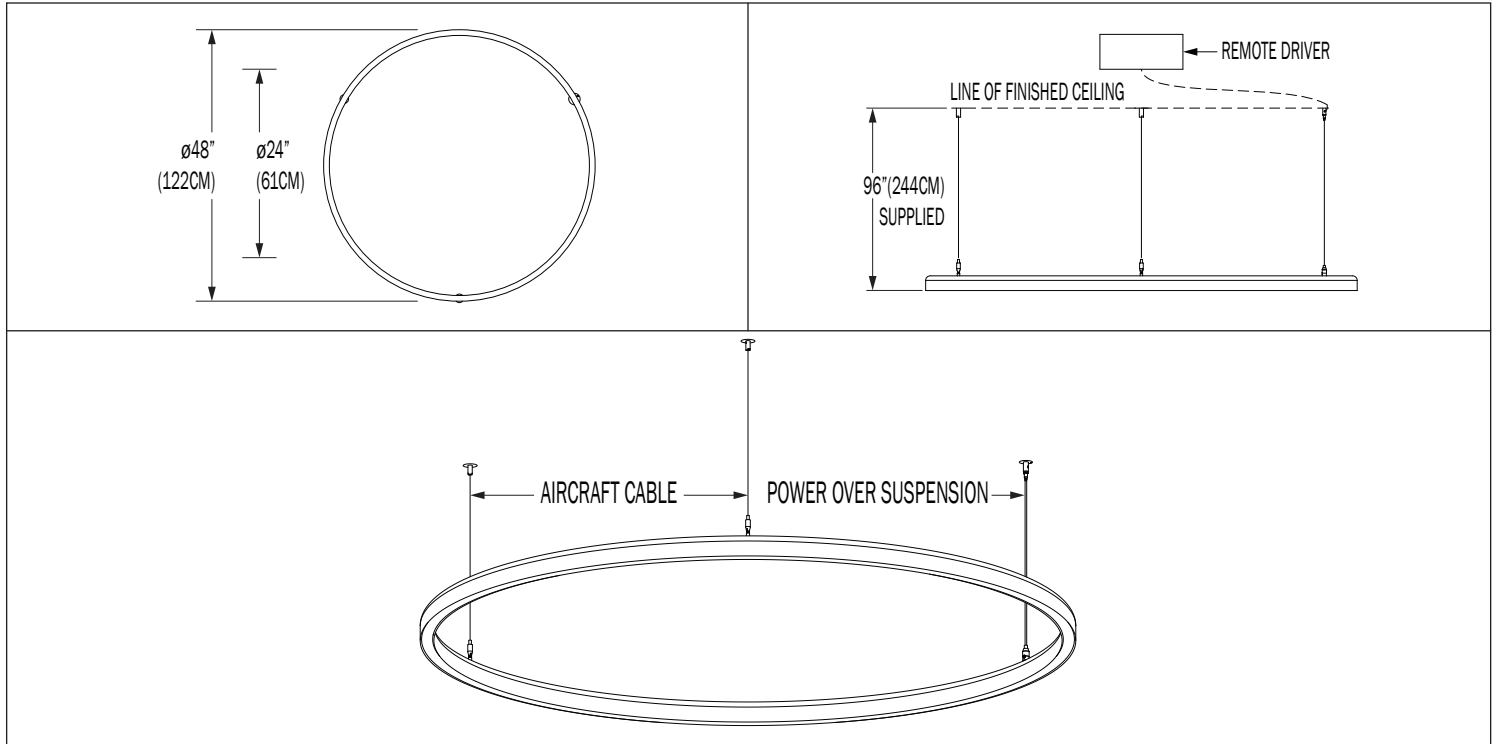
1. CUSTOM PERCENTAGE I.E. 60%. CONSULT FACTORY.

NOTE: SOME OPTIONS MAY NOT BE COMPATIBLE WITH OTHERS. ALL SPECIFICATIONS ARE SUBJECT TO CHANGE WITHOUT NOTICE. CONTACT TMS LIGHTING FOR UPDATED SPECIFICATIONS.

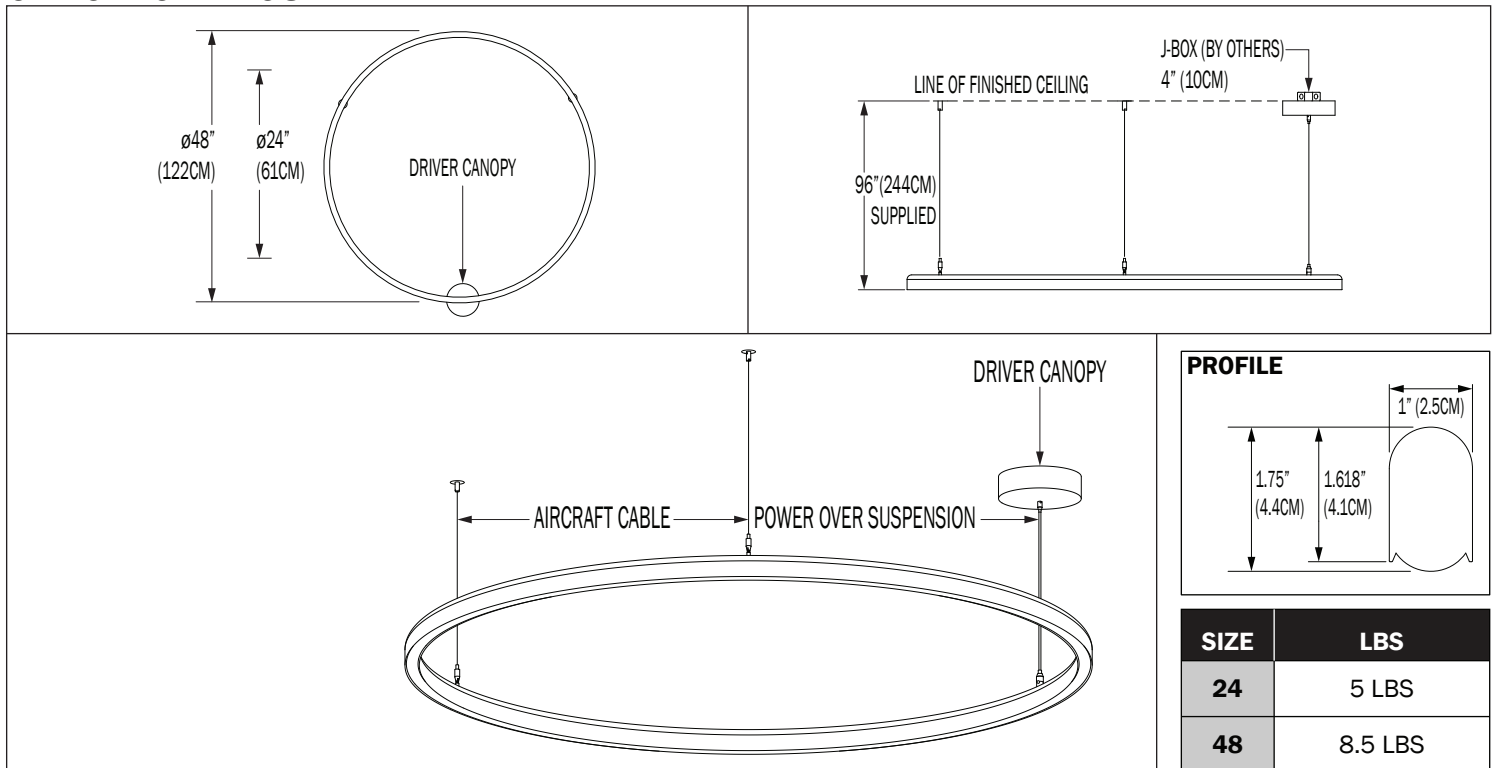
FIBONACCI R™ PENDANT

504FIR

RM - REMOTE MOUNT



CD - CANOPY MOUNT



FIBONACCI R™ PENDANT

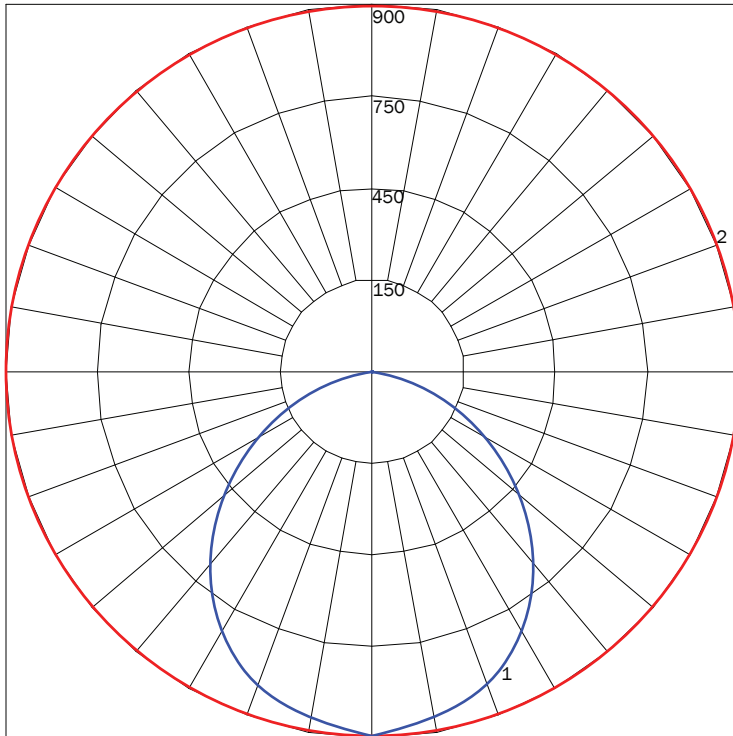
DIRECT

PN	SIZE (DIA)	LUMENS	WATTAGE
504FIR	24D	2343	31
	48D	4325	56

IES INDOOR REPORT

PHOTOMETRIC FILENAME : 504FIR 24D 35K F05.IES

POLAR GRAPH



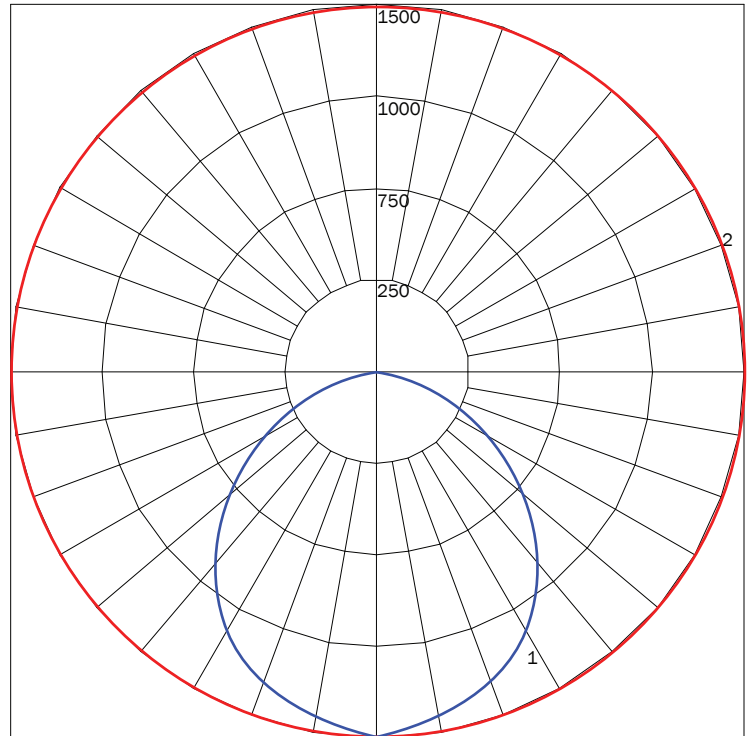
MAXIMUM CANDELA = 927 LOCATED AT HORIZONTAL ANGLE = 0, VERTICAL ANGLE = 0
 # 1 - VERTICAL PLANE THROUGH HORIZONTAL ANGLES (0 - 180) (THROUGH MAX. CD.)
 # 2 - HORIZONTAL CONE THROUGH VERTICAL ANGLE (5) (THROUGH MAX. CD.)

LUMINAIRE LUMENS 2343
TOTAL LUMINAIRE EFFICIENCY 100%
LUMINAIRE EFFICACY RATING 76
TOTAL LUMINAIRE WATTS 31

IES INDOOR REPORT

PHOTOMETRIC FILENAME : 504FIR 48D 35K F05.IES

POLAR GRAPH



MAXIMUM CANDELA = 1740 LOCATED AT HORIZONTAL ANGLE = 0, VERTICAL ANGLE = 45
 # 1 - VERTICAL PLANE THROUGH HORIZONTAL ANGLES (45 - 225) (THROUGH MAX. CD.)
 # 2 - HORIZONTAL CONE THROUGH VERTICAL ANGLE (25) (THROUGH MAX. CD.)

LUMINAIRE LUMENS 4325
TOTAL LUMINAIRE EFFICIENCY 100%
LUMINAIRE EFFICACY RATING 77
TOTAL LUMINAIRE WATTS 56

FIBONACCI R™ PENDANT

AVAILABLE FINISHES



F04
MATTE
WHITE



F05
GLOSS
WHITE



F09
PEWTER



F15
MATTE
BLACK



F16
GLOSS
BLACK



F18
SATIN
ALUMINUM



F21
ARCH
BRONZE



F31
SILVER
METALLIC



F33
PYRITE
BRONZE



RAL
CUSTOM
COLOR
(RAL #)

NOTE: DISPLAYED FINISHES DIFFER BETWEEN SCREENS AS WELL AS PRINTERS AND MAY NOT ACCURATELY DEPICT COLOR.