

# EZRA™ PENDANT

PROJECT: \_\_\_\_\_

TYPE: \_\_\_\_\_

QUANTITY: \_\_\_\_\_



## PN: 3020 EZ

<b>APPLICATION</b>	<ul style="list-style-type: none"><li>• PENDANT MOUNT</li><li>• INDOOR RATED</li></ul>
<b>DIMENSION</b>	<ul style="list-style-type: none"><li>• 8" DIA X 40" H (20CM X 102CM)</li></ul>
<b>ILLUMINATION</b>	<ul style="list-style-type: none"><li>• DIFFUSE</li><li>• LED 90CRI</li><li>• 5,328 - 8,060 LUMENS</li></ul>
<b>ELECTRICAL</b>	<ul style="list-style-type: none"><li>• 120 - 277V (347V CONSULT FACTORY)</li><li>• 10KA SURGE SUPPRESSION STANDARD</li></ul>
<b>DIFFUSERS</b>	<ul style="list-style-type: none"><li>• HIGH EFFICIENCY ACRYLIC</li></ul>
<b>MOUNTING</b>	<ul style="list-style-type: none"><li>• STEM MOUNT</li></ul>
<b>CONSTRUCTION</b>	<ul style="list-style-type: none"><li>• STEEL</li></ul>
<b>FINISHES</b>	<ul style="list-style-type: none"><li>• AVAILABLE ANODIZED, IN SEVERAL TMS PLATED, AND POWDER COATED FINISHES</li></ul>
<b>DIMMING</b>	<ul style="list-style-type: none"><li>• 0 - 10V STANDARD DIMMING</li></ul>
<b>WEIGHT</b>	<ul style="list-style-type: none"><li>• 15 LBS MAXIMUM</li></ul>



# EZRA™ PENDANT



PROJECT: \_\_\_\_\_

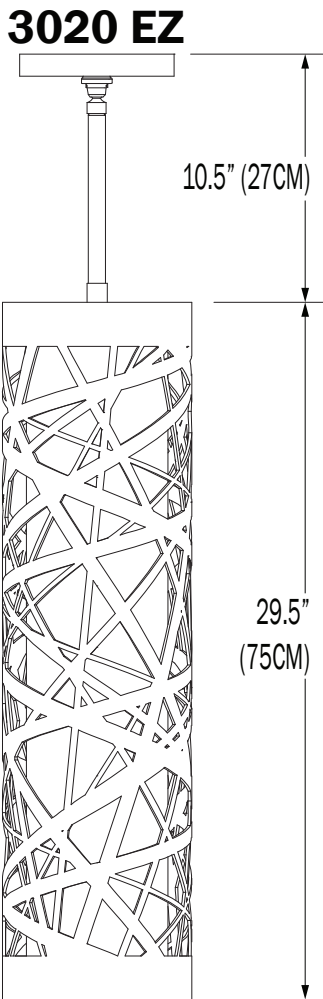
TYPE: \_\_\_\_\_

QUANTITY: \_\_\_\_\_

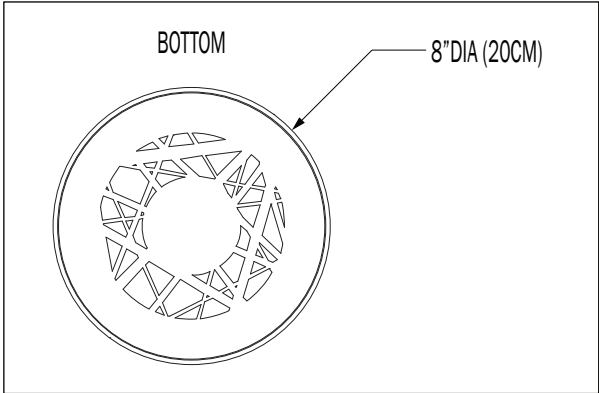
## 3020 EZ - - - - - 1 - 2 - 3 - 4 - 5 - 6

<b>1.</b>	<b>56LED</b>									
ILLUMINATION	56W									
<b>2.</b>										
DOWNLIGHT	---					<b>DLED</b>				
LED (W)	56W					15W				
LUMENS	7036					8060				
<b>3.</b>	<b>30K</b>			<b>35K</b>			<b>40K</b>			
LED CCT	3000K			3500K			4000K			
<b>4.</b>	<b>120</b>					<b>277</b>				
VOLTAGE	120V					277V				
<b>5.</b>	<b>AN</b>	<b>BR</b>	<b>CH</b>	<b>BC</b>	<b>AB</b>	<b>AC</b>	<b>SB</b>	<b>SN</b>	<b>PB</b>	<b>F04</b>
FINISH	ANODIZED (SILVER)	BRUSHED ALUMINUM	CHROME	BLACK CHROME	ANTIQUE BRASS	ANTIQUE COPPER	SATIN BRASS	SATIN NICKEL	POLISHED BRASS	MATTE WHITE
	<b>F05</b>	<b>F07</b>	<b>F09</b>	<b>F15</b>	<b>F16</b>	<b>F18</b>	<b>F21</b>	<b>F24</b>	<b>F25</b>	<b>F26</b>
	GLOSS WHITE	ZEUS BROWN	PEWTER	MATTE BLACK	GLOSS BLACK	SATIN ALUMINUM	ARCH BRONZE	MELTED PLATINUM	MELTED GOLD	MELTED COPPER
	<b>F31</b>	<b>F32</b>	<b>F33</b>							
	SILVER METALLIC	BRONZE METALLIC	PYRITE BRONZE							
<b>6.</b>	---					<b>DIML</b>				
DIMMING	NONE					LED DIMMING (1 - 10V, CURRENT - SINKING)				

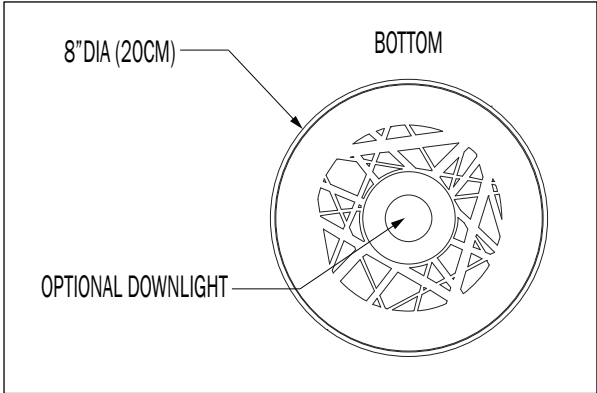
NOTE: SOME OPTIONS MAY NOT BE COMPATIBLE WITH OTHERS. ALL SPECIFICATIONS ARE SUBJECT TO CHANGE WITHOUT NOTICE. CONTACT TMS LIGHTING FOR UPDATED SPECIFICATIONS.



### STANDARD PROJECTION



### OPTIONAL DOWNLIGHT



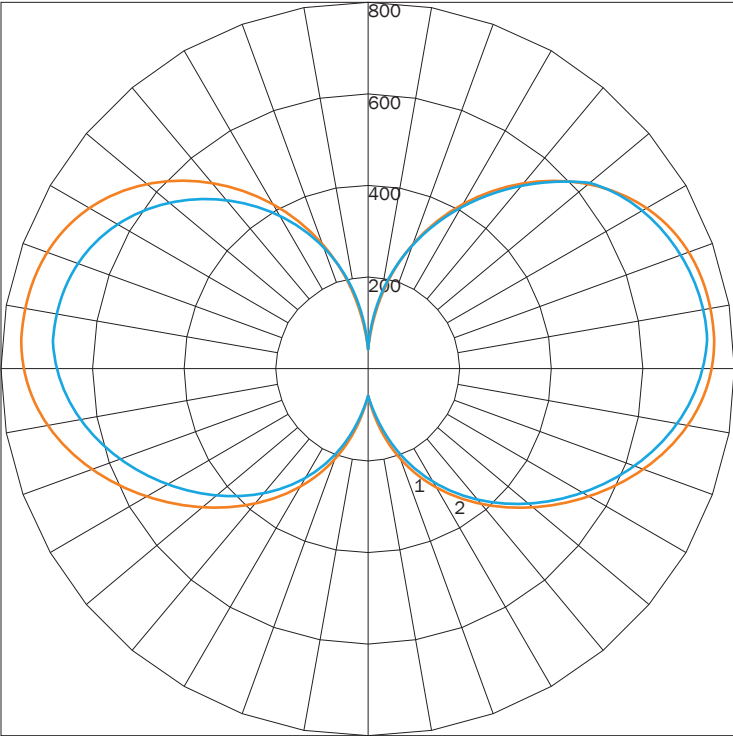
**CUSTOM**  
NOTE: THIS FIXTURE CAN BE CUSTOMIZE. DIMENSION, LAMP TYPES, ENCLOSURE, AND COLOR CAN BE MODIFIED TO SUIT YOUR LIGHTING AND ARCHITECTURAL REQUIREMENTS. CONTACT YOUR LOCAL REPRESENTATIVE FOR MORE DETAILS: <https://tmslighting.com/sales-agents.html>

## DIFFUSE & DIRECT (W/ DLED)

PN	DOWNLIGHT	LUMENS	WATTAGE
3020 EZ	---	7036	56
	DLED	8060	71

**IES INDOOR REPORT**  
**PHOTOMETRIC FILENAME : 3020 EZ 56LED F05.IES**

**POLAR GRAPH**

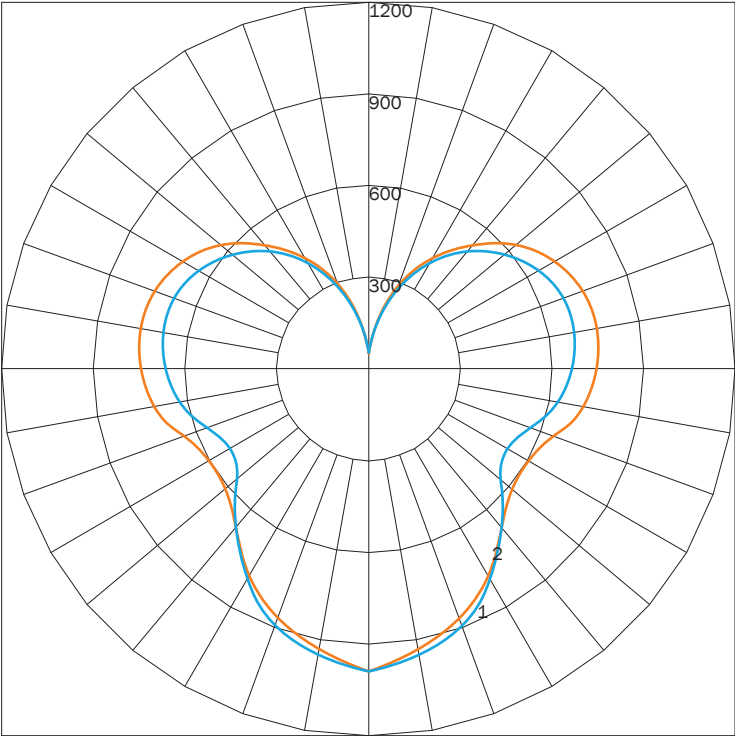


MAXIMUM CANDELA = 777.69 LOCATED AT HORIZONTAL ANGLE = 60, VERTICAL ANGLE = 100  
 # 1 - VERTICAL PLANE THROUGH HORIZONTAL ANGLES (90 - 270)  
 # 2 - VERTICAL PLANE THROUGH HORIZONTAL ANGLES (0 - 180)

<b>LUMINAIRE LUMENS</b>	7036
<b>TOTAL LUMINAIRE EFFICIENCY</b>	NA
<b>LUMINAIRE EFFICACY RATING</b>	109
<b>TOTAL LUMINAIRE WATTS</b>	64

**IES INDOOR REPORT**  
**PHOTOMETRIC FILENAME : 3020 EZ 56LED DLED F05.IES**

**POLAR GRAPH**



MAXIMUM CANDELA = 1040.79 LOCATED AT HORIZONTAL ANGLE = 120, VERTICAL ANGLE = 5  
 # 1 - VERTICAL PLANE THROUGH HORIZONTAL ANGLES (90 - 270)  
 # 2 - VERTICAL PLANE THROUGH HORIZONTAL ANGLES (0 - 180)

<b>LUMINAIRE LUMENS</b>	8060
<b>TOTAL LUMINAIRE EFFICIENCY</b>	NA
<b>LUMINAIRE EFFICACY RATING</b>	99
<b>TOTAL LUMINAIRE WATTS</b>	82

# AVAILABLE FINISHES



**AN**  
ANODIZED  
(SILVER)



**BR**  
BRUSHED  
ALUMINUM



**CH**  
CHROME



**BC**  
BLACK  
CHROME



**AB**  
ANTIQUÉ  
BRASS



**AC**  
ANTIQUÉ  
COPPER



**SB**  
SATIN  
BRASS



**SN**  
SATIN  
NICKEL



**PB**  
POLISHED  
BRASS



**F04**  
MATTE  
WHITE



**F05**  
GLOSS  
WHITE



**F07**  
ZEUS  
BROWN



**F09**  
PEWTER



**F15**  
MATTE  
BLACK



**F16**  
GLOSS  
BLACK



**F18**  
SATIN  
ALUMINUM



**F21**  
ARCH  
BRONZE



**F24**  
MELTED  
PLATINUM



**F25**  
MELTED  
GOLD



**F26**  
MELTED  
COPPER



**F31**  
SILVER  
METALLIC



**F32**  
METALLIC  
BRONZE



**F33**  
PYRITE  
BRONZE

NOTE: DISPLAYED FINISHES DIFFER BETWEEN SCREENS AS WELL AS PRINTERS AND MAY NOT ACCURATELY DEPICT COLOR.