

PROJECT: _____

TYPE: _____

QUANTITY: _____



PN: 301EV

APPLICATION	<ul style="list-style-type: none"> • PENDANT MOUNT • INDOOR RATED
DIMENSION	<ul style="list-style-type: none"> • 12", 18", AND 24" (30CM, 45CM, 61CM)
ILLUMINATION	<ul style="list-style-type: none"> • DIFFUSE • LED 90CRI • 531 - 1,549 LUMENS
DRIVER	<ul style="list-style-type: none"> • INTEGRAL • 120 - 277V (347V CONSULT FACTORY) • 10KA SURGE SUPPRESSION STANDAR
DIFFUSERS	<ul style="list-style-type: none"> • HIGH EFFICIENCY ACRYLIC
MOUNTING	<ul style="list-style-type: none"> • 84" (213CM) BLACK OR WHITE DROP CORD W/ AIRCRAFT CABLE
CONSTRUCTION	<ul style="list-style-type: none"> • ALUMINUM
FINISHES	<ul style="list-style-type: none"> • AVAILABLE IN SEVERAL TMS POWDER COATED FINISHES • CUSTOM RAL FINISHES AVAILABLE
DIMMING	<ul style="list-style-type: none"> • 0 - 10V STANDARD DIMMING • LUTRON (1%) DIMMING OPTIONAL
WEIGHT	<ul style="list-style-type: none"> • 16 LBS MAXIMUM





EVA™ PENDANT

PROJECT: _____

TYPE: _____

QUANTITY: _____

301EV

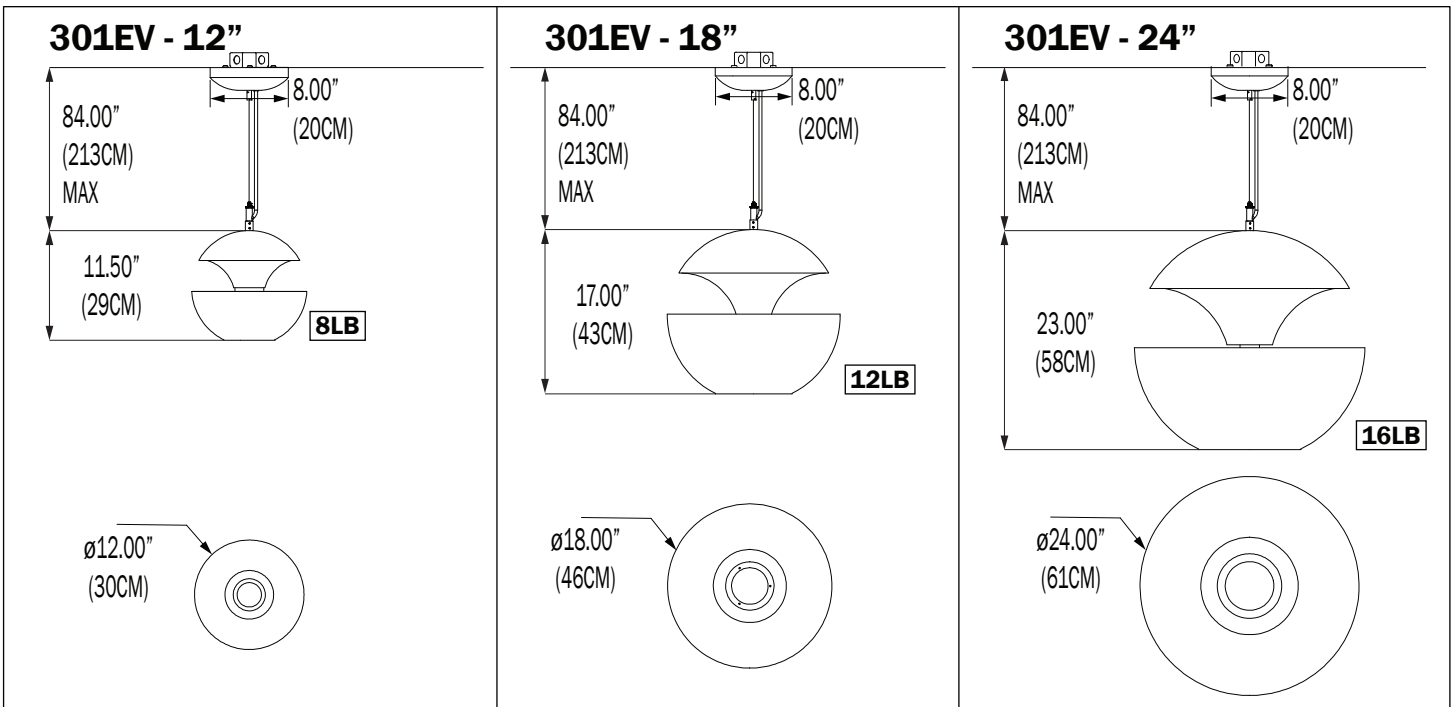
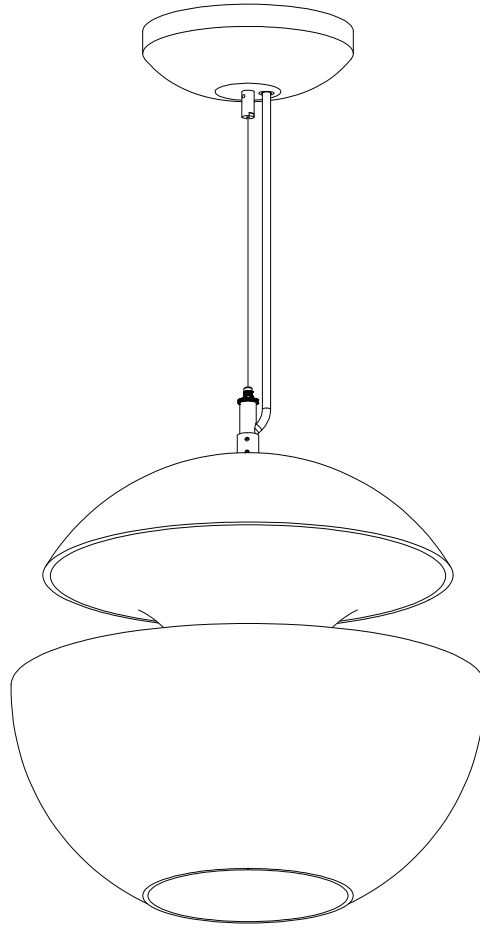
1 2 3 4 5 6 7 8

1.	12			18			24			
DIAMETER	12" DIA. (31CM)			18" DIA. (46CM)			24" DIA. (61CM)			
LED (W)	7W			15W			20W			
LUMENS	531			1207			1549			
2.	30K			35K			40K			
LED CCT	3000K			3500K			4000K			
3.	120			227			UNI			
VOLTAGE	120V			227V			120 - 277V			
4.	BC						WC			
CORD	BLACK DROP CORD						WHITE DROP CORD			
5.	F04	F05	F09	F10	F13	F14	F15	F16	F15	F18
FINISH	MATTE WHITE	GLOSS WHITE	PEWTER	FIRE RED	FOREST GREEN	SUNSHINE YELLOW	MATTE BLACK	GLOSS BLACK	MATTE BLACK	SATIN ALUMINUM
	F21	F31	F32	F33	F45	RAL				
	ARCH BRONZE	SILVER METALLIC	BRONZE METALLIC	PYRITE BRONZE	COPPER METALLIC	CUSTOM (SPECIFY)				
6.	00	F04	F05	F10	F14	F15	F18			
ACCENT ¹ FINISH	SAME AS OUTSIDE	MATTE WHITE	GLOSS WHITE	FIRE RED	SUNSHINE YELLOW	MATTE BLACK	SATIN ALUMINUM			
7.	---			DIML			DIME			
DIMMING	NONE			LED DIMMING (0 - 10V, CURRENT - SINKING)			LUTRON HI - LUMEN 1%			
8.	---			EMR						
EMERGENCY ²	NONE			REMOTE						

1. REFLECTOR COLOR INSIDE
2. 10W AT 90 MINUTES

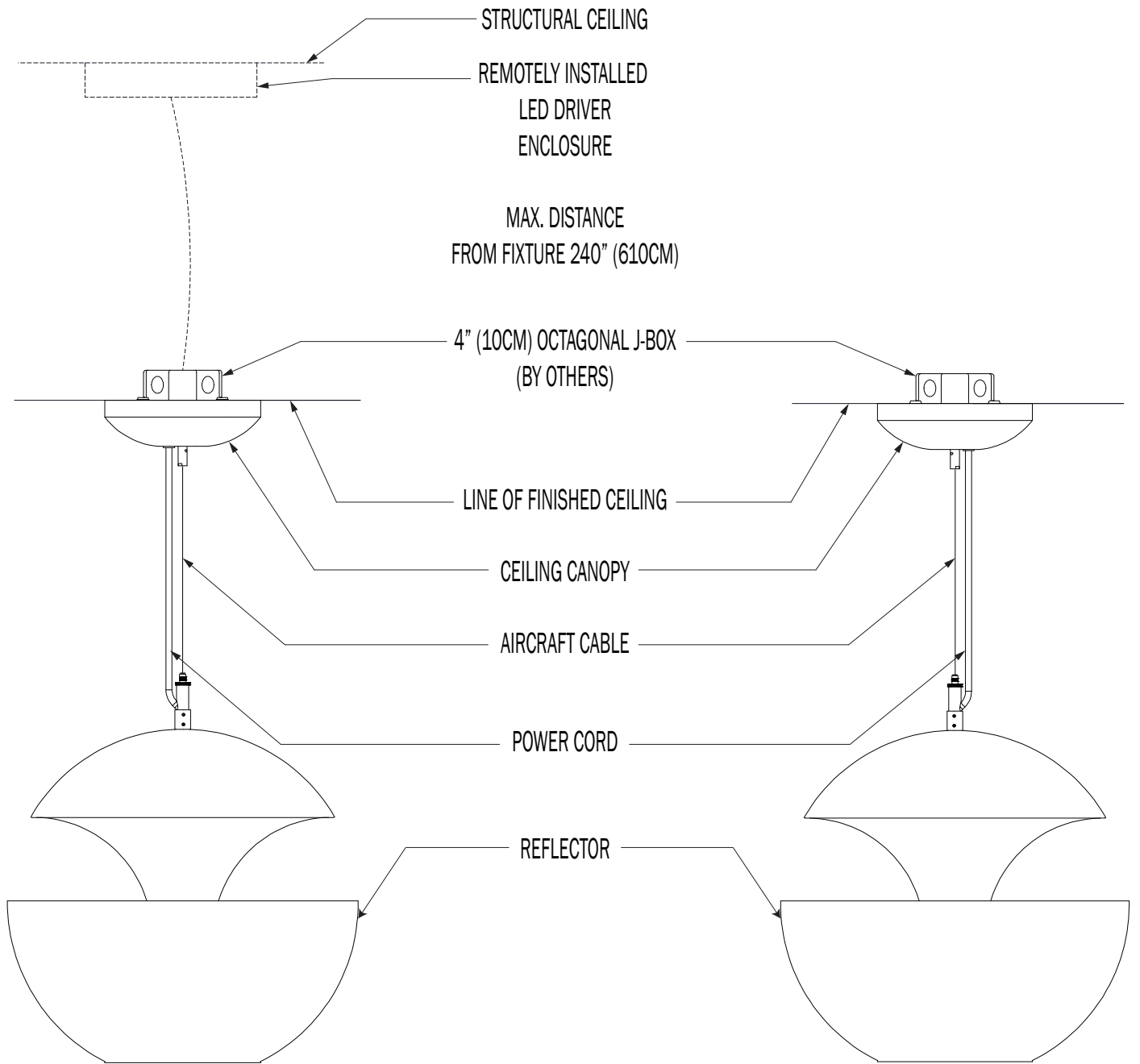
NOTE: SOME OPTIONS MAY NOT BE COMPATIBLE WITH OTHERS. ALL SPECIFICATIONS ARE SUBJECT TO CHANGE WITHOUT NOTICE. CONTACT TMS LIGHTING FOR UPDATED SPECIFICATIONS.

301EV



CUSTOM

NOTE: THIS FIXTURE CAN BE CUSTOMIZE. DIMENSION, LAMP TYPES, ENCLOSURE, AND COLOR CAN BE MODIFIED TO SUIT YOUR LIGHTING AND ARCHITECTURAL REQUIREMENTS. CONTACT YOUR LOCAL REPRESENTATIVE FOR MORE DETAILS: <https://tmslighting.com/sales-agents.html>



ENCLOSURE REMOTE MOUNT

ENCLOSURE CEILING MOUNT

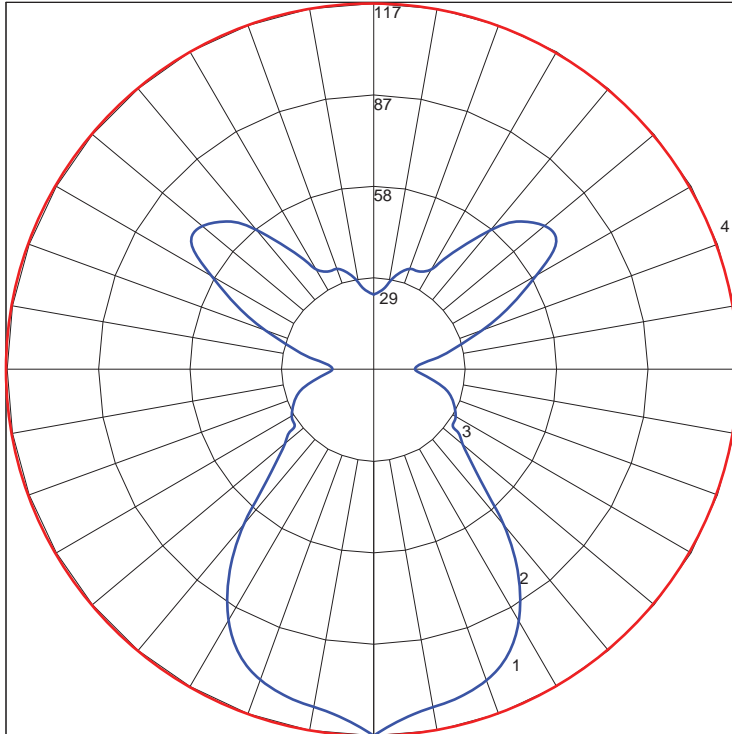
DIFFUSE

PN	SIZE (DIA)	ILLUMINATION	LUMENS	WATTAGE
301EV	12	7LED	531	7
	18	15LED	1207	15
	24	20LED	1549	20

IES INDOOR REPORT

PHOTOMETRIC FILENAME : EVA 301EV 10 7W LED 35L F05.IES

POLAR GRAPH



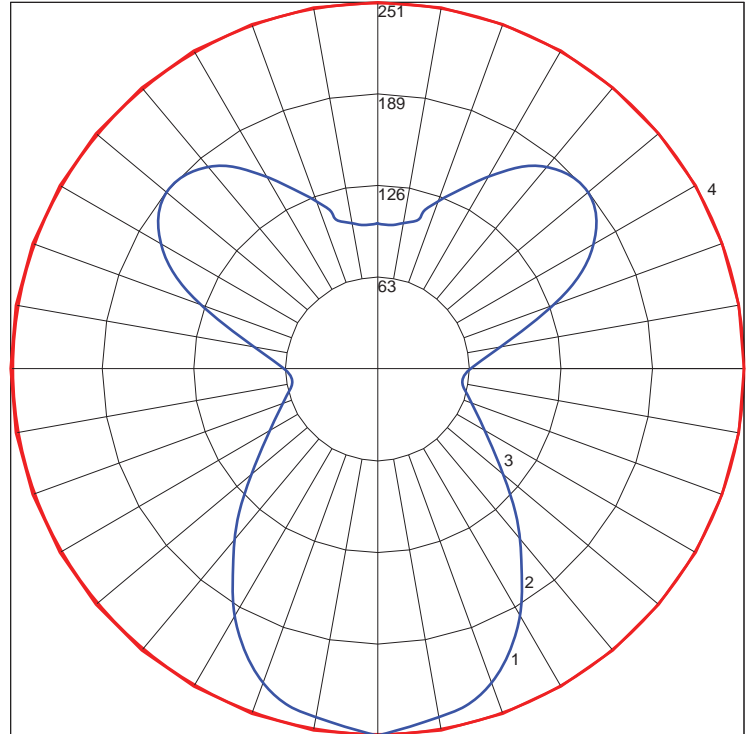
MAXIMUM CANDELA = 116.5 LOCATED AT HORIZONTAL ANGLE = 0, VERTICAL ANGLE = 0
 # 1 - VERTICAL PLANE THROUGH HORIZONTAL ANGLES (0 - 180) (THROUGH MAX. CD.)
 # 2 - VERTICAL PLANE THROUGH HORIZONTAL ANGLES (45 - 225)
 # 3 - VERTICAL PLANE THROUGH HORIZONTAL ANGLES (90 - 270)
 # 4 - HORIZONTAL CONE THROUGH VERTICAL ANGLE (0) (THROUGH MAX. CD.)

LUMINAIRE LUMENS 531
TOTAL LUMINAIRE EFFICIENCY 64%
LUMINAIRE EFFICACY RATING 79
TOTAL LUMINAIRE WATTS 7

IES INDOOR REPORT

PHOTOMETRIC FILENAME : EVA 301EV 24 20W LED 35K F05.IES

POLAR GRAPH



MAXIMUM CANDELA = 3109.8 LOCATED AT HORIZONTAL ANGLE = 0, VERTICAL ANGLE = 0
 # 1 - VERTICAL PLANE THROUGH HORIZONTAL ANGLES (0 - 180) (THROUGH MAX CD.)
 # 2 - VERTICAL PLANE THROUGH HORIZONTAL ANGLES (45 - 225)
 # 3 - VERTICAL PLANE THROUGH HORIZONTAL ANGLES (90 - 270)
 # 4 - HORIZONTAL CONE THROUGH VERTICAL ANGLE (0) (THROUGH MAX. CD.)

LUMINAIRE LUMENS 1549
TOTAL LUMINAIRE EFFICIENCY 62%
LUMINAIRE EFFICACY RATING 77
TOTAL LUMINAIRE WATTS 20

AVAILABLE FINISHES



F04
MATTE
WHITE



F05
GLOSS
WHITE



F08
MIDNIGHT
BLUE



F09
PEWTER



F10
FIRE
RED



F13
FOREST
GREEN



F14
SUNSHINE
YELLOW



F15
MATTE
BLACK



F16
GLOSS
BLACK



F18
SATIN
ALUMINUM



F21
ARCH
BRONZE



F31
SILVER
METALLIC



F32
METALLIC
BRONZE



F33
PYRITE
BRONZE



F45
COPPER
METALLIC



RAL
CUSTOM
COLOR
(RAL #)

NOTE: DISPLAYED FINISHES DIFFER BETWEEN SCREENS AS WELL AS PRINTERS AND MAY NOT ACCURATELY DEPICT COLOR.