

# ENTICE™ PENDANT

PROJECT: \_\_\_\_\_

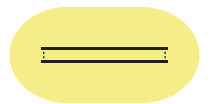
TYPE: \_\_\_\_\_

QUANTITY: \_\_\_\_\_



## PN: 6045

<b>APPLICATION</b>	<ul style="list-style-type: none"><li>• PENDANT MOUNT</li><li>• INDOOR</li></ul>
<b>DIMENSION</b>	<ul style="list-style-type: none"><li>• 24", 36", 48", 60", AND 72" (61CM, 91CM, 122CM, 152CM, 183CM)</li><li>• PROFILE: 4.31"W X 2.75"H (11CM X 7CM)</li></ul>
<b>ILLUMINATION</b>	<ul style="list-style-type: none"><li>• DIFFUSE</li><li>• LED 90CRI</li><li>• 6,715 - 23,680 LUMENS</li></ul>
<b>DRIVER</b>	<ul style="list-style-type: none"><li>• 120 - 277V (347V CONSULT FACTORY)</li><li>• 10kA SURGE SUPPRESSION STANDARD</li></ul>
<b>DIFFUSERS</b>	<ul style="list-style-type: none"><li>• HIGH EFFICIENCY ACRYLIC</li></ul>
<b>MOUNTING</b>	<ul style="list-style-type: none"><li>• 96" (244CM) BLACK OR WHITE DROP CORD W/ AIRCRAFT CABLES</li></ul>
<b>CONSTRUCTION</b>	<ul style="list-style-type: none"><li>• ALUMINUM</li></ul>
<b>FINISHES</b>	<ul style="list-style-type: none"><li>• AVAILABLE IN SEVERAL TMS POWDER COATED FINISHES</li><li>• CUSTOM RAL FINISHES AVAILABLE</li></ul>
<b>DIMMING</b>	<ul style="list-style-type: none"><li>• 0 - 10V STANDARD DIMMING</li></ul>
<b>WEIGHT</b>	<ul style="list-style-type: none"><li>• 45 LBS MAXIMUM</li></ul>



**DIFFUSE**

# ENTICE™ PENDANT



PROJECT: \_\_\_\_\_

TYPE: \_\_\_\_\_

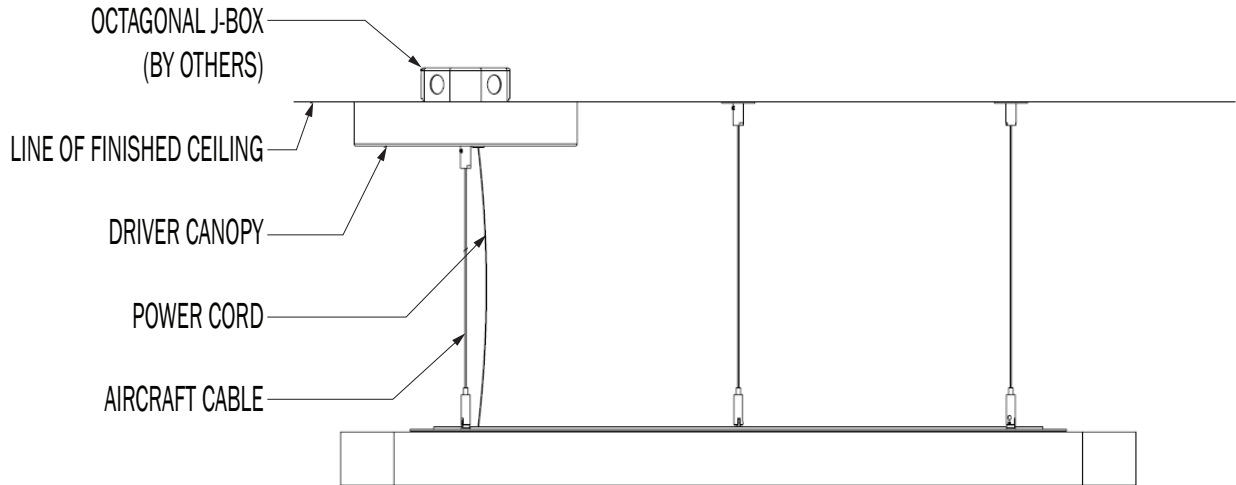
QUANTITY: \_\_\_\_\_

**6045**

1 2 3 4 5 6 7

<b>1.</b>	<b>24</b>	<b>36</b>	<b>48</b>	<b>60</b>	<b>72</b>					
DIAMETER	24"DIA. (61CM)	36"DIA. (91CM)	48"DIA. (122CM)	60"DIA. (152CM)	72"DIA. (183CM)					
LED (W)	65W	107W	147W	195W	240W					
LUMENS	6715	10380	14569	19341	23680					
<b>2.</b>	<b>30K</b>		<b>35K</b>		<b>40K</b>					
LED CCT	3000		3500		4000					
<b>3.</b>	<b>UNI</b>									
VOLTAGE	120 - 277V									
<b>4.</b>	<b>MM</b>					<b>PS</b>				
MOUNTING	MULTIPLE AIRCRAFT CABLES					SINGLE PLATE W/ AIRCRAFT CABLES				
<b>5.</b>	<b>BC</b>					<b>WC</b>				
CORD	BLACK DROP CORD					WHITE DROP CORD				
<b>6.</b>	<b>F04</b>	<b>F05</b>	<b>F09</b>	<b>F15</b>	<b>F16</b>	<b>F18</b>	<b>F21</b>	<b>F31</b>	<b>F33</b>	<b>RAL</b>
FINISH	MATTE WHITE	GLOSS WHITE	PEWTER	MATTE BLACK	GLOSS BLACK	SATIN ALUMINUM	ARCH BRONZE	SILVER METALLIC	PYRITE BRONZE	CUSTOM (SPECIFY)
<b>7.</b>	<b>DIML</b>									
DIMMING	0 - 10V DIMMING (1%)									

NOTE: SOME OPTIONS MAY NOT BE COMPATIBLE WITH OTHERS. ALL SPECIFICATIONS ARE SUBJECT TO CHANGE WITHOUT NOTICE. CONTACT TMS LIGHTING FOR UPDATED SPECIFICATIONS.

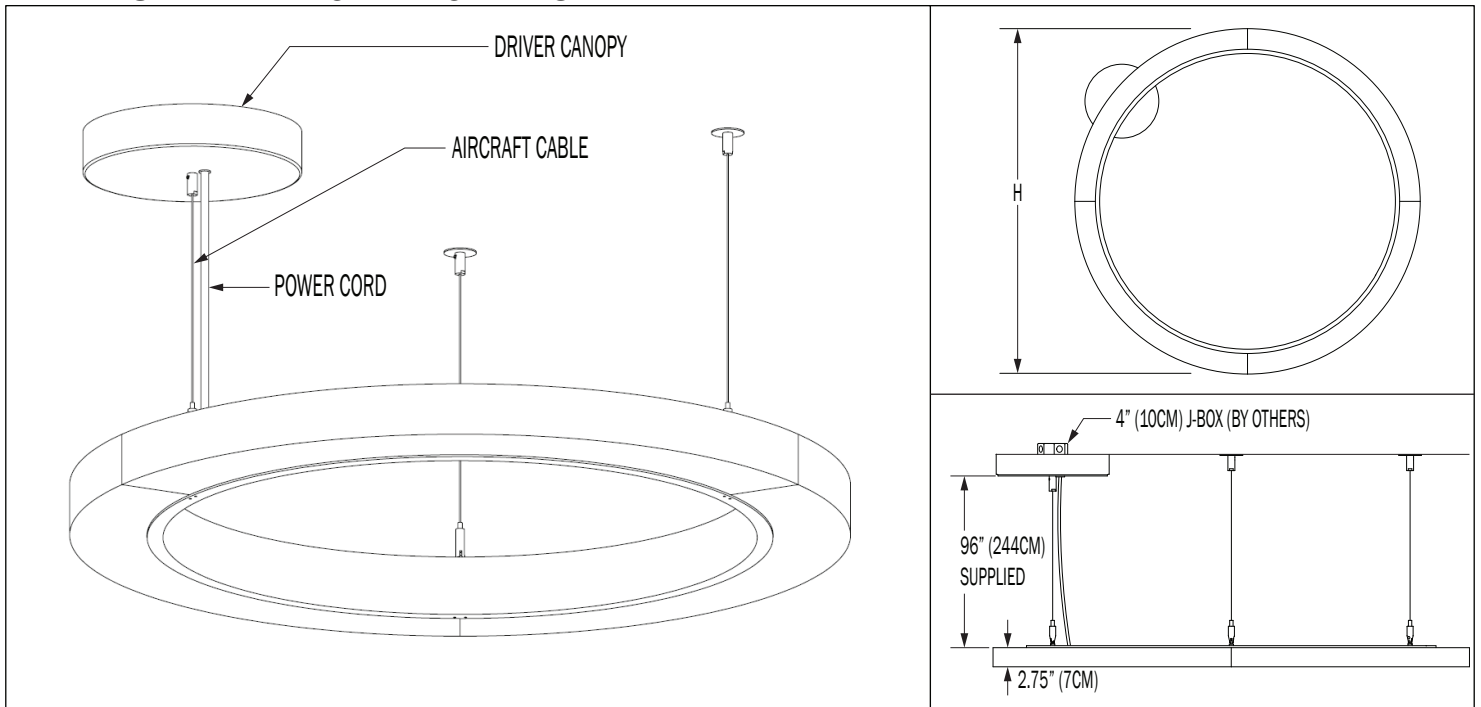


**CEILING MOUNT - CANOPY ENCLOSURE**

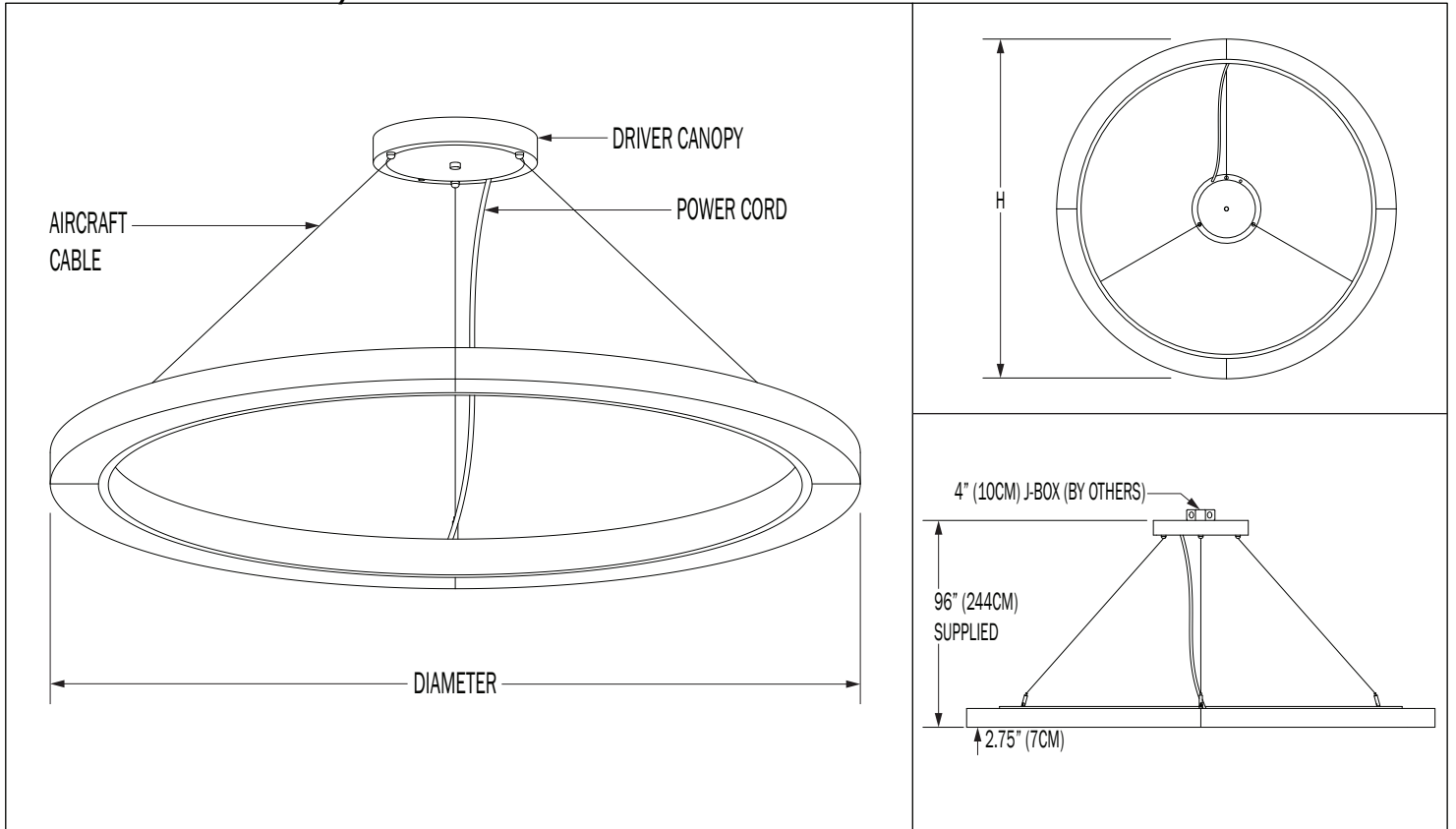
DIA (INCH)	SECTION	AC CABLES	MOUNTING HEIGHT (SINGLE PLATE)	CANOPY SIZE (DIA)	WEIGHT (LBS)
24" (61CM)	1	3	30" (76CM)	12" (30.5CM)	25
36" (91CM)	1	3	50" (127CM)	12" (30.5CM)	30
48" (122CM)	1	3	70" (178CM)	12" (30.5CM)	35
60" (152CM)	1	4	90" (229CM)	12" (30.5CM)	40
72" (183CM)	1	4	115" (394CM)	14" (36CM)	45

**6045**

## MM - MULTIPLE AIRCRAFT CABLES



## PS - SINGLE PLATE W/ AIRCRAFT CABLES



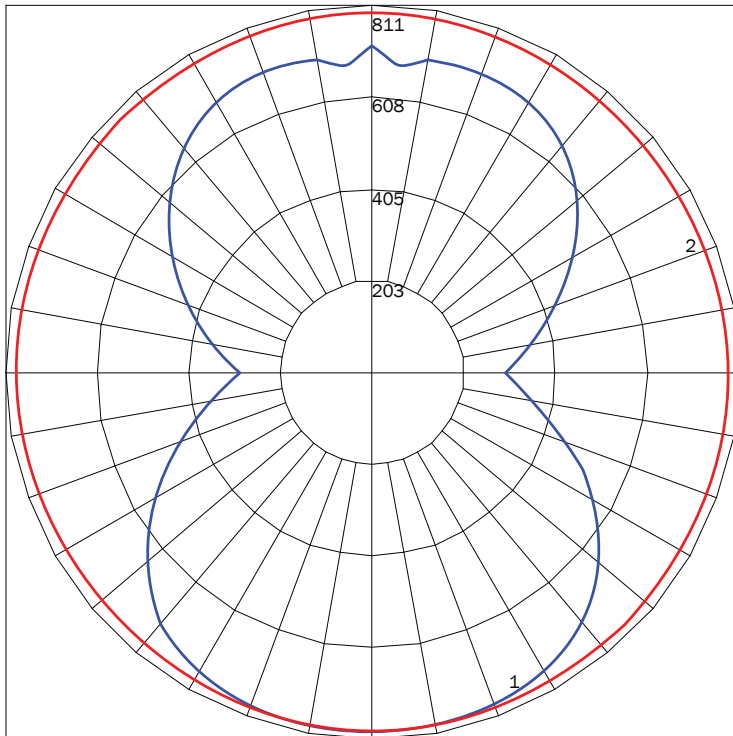
## DIFFUSE

PN	SIZE (DIA)	LUMENS	WATTAGE
3250DI	24	6715	65
	36	10380	107
	48	14569	147
	60	19341	195
	72	23680	240

### IES INDOOR REPORT

PHOTOMETRIC FILENAME : 6045 24 ID 35K F05.IES

### POLAR GRAPH



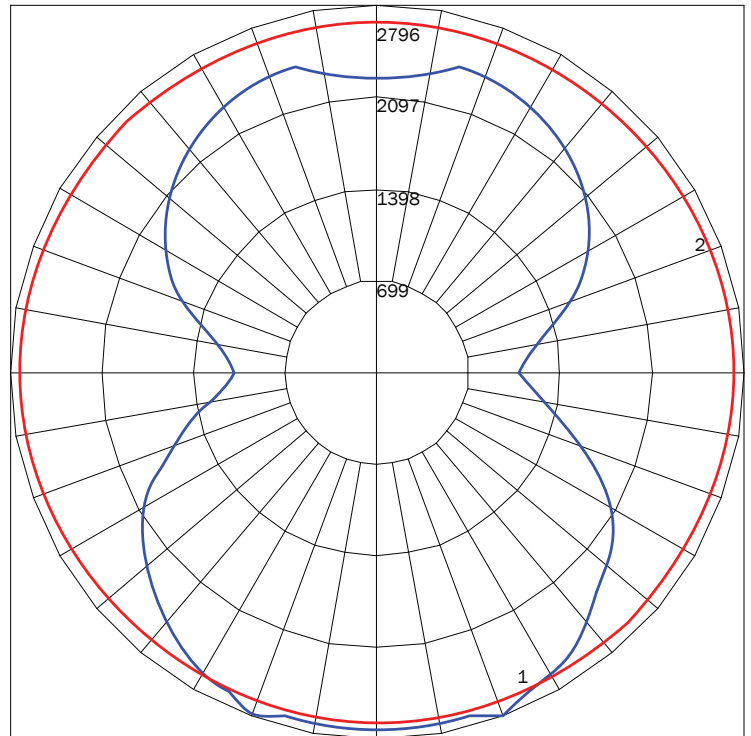
MAXIMUM CANDELA = 810.88 LOCATED AT HORIZONTAL ANGLE = 90, VERTICAL ANGLE = 15  
 # 1 - VERTICAL PLANE THROUGH HORIZONTAL ANGLES (90 - 270) (THROUGH MAX. CD.)  
 # 2 - HORIZONTAL CONE THROUGH VERTICAL ANGLE (15) (THROUGH MAX. CD.)

**LUMINAIRE LUMENS** 6715  
**TOTAL LUMINAIRE EFFICIENCY** 81%  
**LUMINAIRE EFFICACY RATING** 103  
**TOTAL LUMINAIRE WATTS** 65

### IES INDOOR REPORT

PHOTOMETRIC FILENAME : 6045 72 ID 35K F05.IES

### POLAR GRAPH



MAXIMUM CANDELA = 2795.82 LOCATED AT HORIZONTAL ANGLE = 0, VERTICAL ANGLE = 20  
 # 1 - VERTICAL PLANE THROUGH HORIZONTAL ANGLES (0 - 180) (THROUGH MAX. CD.)  
 # 2 - HORIZONTAL CONE THROUGH VERTICAL ANGLE (20) (THROUGH MAX. CD.)

**LUMINAIRE LUMENS** 23680  
**TOTAL LUMINAIRE EFFICIENCY** 79%  
**LUMINAIRE EFFICACY RATING** 99  
**TOTAL LUMINAIRE WATTS** 240

## AVAILABLE FINISHES



**F04**  
MATTE  
WHITE



**F05**  
GLOSS  
WHITE



**F09**  
PEWTER



**F15**  
MATTE  
BLACK



**F16**  
GLOSS  
BLACK



**F18**  
SATIN  
ALUMINUM



**F21**  
ARCH  
BRONZE



**F31**  
SILVER  
METALLIC



**F33**  
PYRITE  
BRONZE



**RAL**  
CUSTOM  
COLOR  
(RAL #)

NOTE: DISPLAYED FINISHES DIFFER BETWEEN SCREENS AS WELL AS PRINTERS AND MAY NOT ACCURATELY DEPICT COLOR.