

PROJECT: \_\_\_\_\_

TYPE: \_\_\_\_\_

QUANTITY: \_\_\_\_\_



## PN: EBB

<b>APPLICATION</b>	<ul style="list-style-type: none"> <li>• PENDANT MOUNT</li> <li>• INDOOR OR OUTDOOR RATED</li> </ul>
<b>DIMENSION</b>	<ul style="list-style-type: none"> <li>• 15.5" (39CM)</li> </ul>
<b>ILLUMINATION</b>	<ul style="list-style-type: none"> <li>• DIRECT</li> <li>• LED 90CRI</li> <li>• 1,086 - 1,888 LUMENS</li> </ul>
<b>ELECTRICAL</b>	<ul style="list-style-type: none"> <li>• 120V, 277V AND 347V</li> <li>• 10kA SURGE SUPPRESSION STANDARD</li> </ul>
<b>DIFFUSERS</b>	<ul style="list-style-type: none"> <li>• CLEAR OR FROSTED, ELONGATED GLASS GLOBE</li> <li>• CLEAR, FLAT LENS</li> </ul>
<b>MOUNTING</b>	<ul style="list-style-type: none"> <li>• 120" MAX (305CM) BLACK OR WHITE DROP CORD W/ AIRCRAFT CABLE</li> <li>• 1" TO 60" (2.5CM TO 152CM) STEM MOUNT</li> </ul>
<b>CONSTRUCTION</b>	<ul style="list-style-type: none"> <li>• ALUMINUM</li> </ul>
<b>FINISHES</b>	<ul style="list-style-type: none"> <li>• AVAILABLE IN SEVERAL TMS SPECIALTY, AND POWDER COATED FINISHES</li> <li>• CUSTOM RAL FINISHES AVAILABLE</li> </ul>
<b>DIMMING</b>	<ul style="list-style-type: none"> <li>• 0 - 10V STANDARD DIMMING</li> </ul>
<b>WEIGHT</b>	<ul style="list-style-type: none"> <li>• 3 LBS MAXIMUM</li> </ul>





# EBB™ PENDANT

PROJECT: \_\_\_\_\_

TYPE: \_\_\_\_\_

QUANTITY: \_\_\_\_\_

## EBB

1 2 3 4 5 6 7 8 9 10 11 12

<b>1.</b>	<b>I</b>					<b>O</b>								
APPLICATION	INDOOR					OUTDOOR								
<b>2.</b>	<b>15</b>													
DIAMETER	15" DIA (38CM)													
<b>3.</b>														
ILLUMINATION <sup>1</sup>	<b>100IN</b>			<b>15LED</b>			<b>17LED</b>			<b>19LED</b>				
LED (W)	100W			15W			17W PAR38 E26 MEDBASE, 4000K, 60°			19W				
LUMENS	---			1127			---			1888				
<b>4.</b>	<b>CRD</b>	<b>C01</b>	<b>C06</b>	<b>C12</b>	<b>C18</b>	<b>C24</b>	<b>C36</b>	<b>C48</b>	<b>C60</b>					
MOUNTING	120" DROP CORD	1" STEM MOUNT	6" STEM MOUNT	12" STEM MOUNT	18" STEM MOUNT	24" STEM MOUNT	36" STEM MOUNT	48" STEM MOUNT	60" STEM MOUNT					
<b>5.</b>	<b>BC</b>					<b>WC</b>								
CORD	BLACK DROP CORD					WHITE DROP CORD								
<b>6.</b>	---			<b>30K</b>			<b>35K</b>			<b>40K</b>				
LED CCT	NONE			3000			3500			4000				
<b>7.</b>	<b>120</b>				<b>277</b>				<b>347</b>					
VOLTAGE	120V				277V				347V					
<b>8.</b>	<b>ADDITIONAL AND PREMIUM FINISHES AVAILABLE. SEE FINISHES CHART</b>			<b>F04</b>	<b>F05</b>	<b>F15</b>	<b>F16</b>	<b>F09</b>	<b>F31</b>	<b>F18</b>				
FINISH <sup>2</sup>				<b>F06</b>	<b>F07</b>	<b>F08</b>	<b>F10</b>	<b>F11</b>	<b>F13</b>	<b>F14</b>	<b>F21</b>	<b>F22</b>	<b>F23</b>	
				CLAY BROWN	ZEUS BROWN	MIDNIGHT BLUE	FIRE RED	CITRUS ORANGE	FOREST GREEN	SUNSHINE YELLOW	ARCH. BRONZE	HARVEST GOLD	MELTED PLATINUM	
<b>9.</b>	---		<b>G1</b>			<b>G2</b>			<b>G11</b>			<b>LNC</b>		
GLOBE <sup>3</sup> / LENS	NONE		CLEAR, ELONGATED GLOBE			FROSTED GLOBE			CLEAR, ELONGATED GLOBE WITH CAST GUARD			CLEAN LENS		
<b>10.</b>	---					<b>DIML</b>								
DIMMING <sup>4</sup>	NONE					LED DIMMING (0 - 10V, CURRENT - SINKING)								
<b>11.</b>	---		<b>EM</b>			<b>EMC</b>			<b>EMR</b>		<b>EMCR</b>			
EMERGENCY <sup>5</sup>	NONE		INTEGRAL			INTEGRAL COLD PACK			REMOTE		REMOTE COLD PACK			
<b>12.</b>	---			<b>ACC</b>						<b>BL</b>				
MOUNTING <sup>6</sup> ACCESSORIES	NONE			AIRCRAFT CABLE FOR DROP CORDS						CEILING SLOPE ADAPTER FOR STEM MOUNTING (30°)				

1. INCANDESCENT, METAL HALIDE SYSTEMS, AND THOSE USING THE 17W LED USE A MEDIUM BASE SOCKET (E26)

2. A CLEAR COAT IS APPLIED TO COPPER. PATINA WILL FORM OVER TIME

3. GLOBES ARE NOT AVAILABLE WITH THE 17W LED PAR 38 LAMPS

4. DIMMING IS NOT AVAILABLE FOR OUTDOOR CF APPLICATIONS

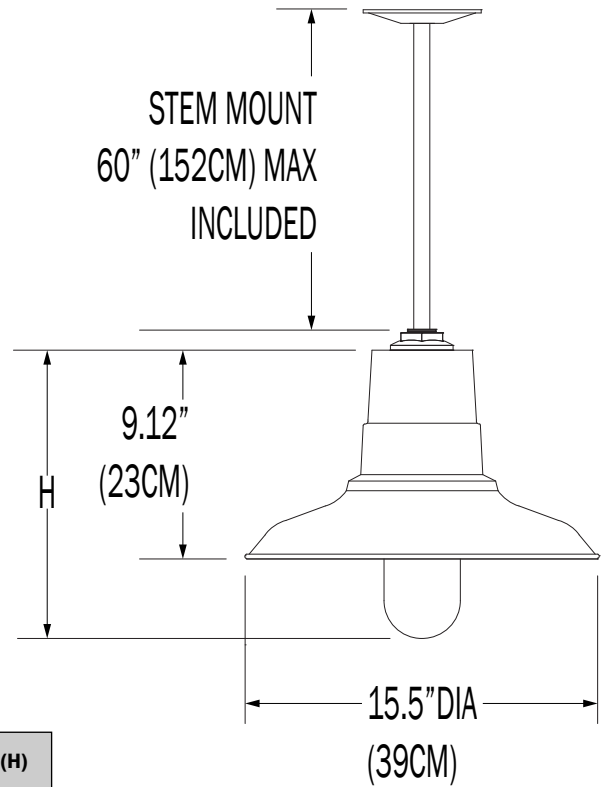
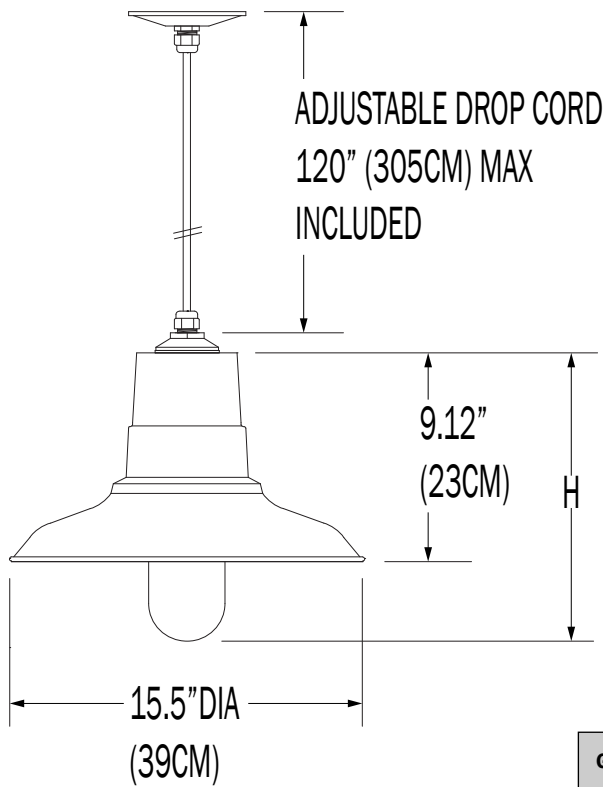
5. 10W AT 90 MINUTES. EMERGENCY OPTION IS ONLY AVAILABLE IN 120 - 277V SYSTEMS

6. MAY REQUIRE TO COMPLY WITH LOCAL SEISMIC/EARTHQUAKE CODE

NOTE: SOME OPTIONS MAY NOT BE COMPATIBLE WITH OTHERS. ALL SPECIFICATIONS ARE SUBJECT TO CHANGE WITHOUT NOTICE. CONTACT TMS LIGHTING FOR UPDATED SPECIFICATIONS.

## DROP CORD MOUNT

## STEM MOUNT



GLOBE	HEIGHT (H)
<b>G1</b>	9.6" (24CM)
<b>G2</b>	9.6" (24CM)
<b>G11</b>	12.85" (33CM)

### CUSTOM

NOTE: THIS FIXTURE CAN BE CUSTOMIZE. DIMENSION, LAMP TYPES, ENCLOSURE, AND COLOR CAN BE MODIFIED TO SUIT YOUR LIGHTING AND ARCHITECTURAL REQUIREMENTS. CONTACT YOUR LOCAL REPRESENTATIVE FOR MORE DETAILS: <https://tmslighting.com/sales-agents.html>

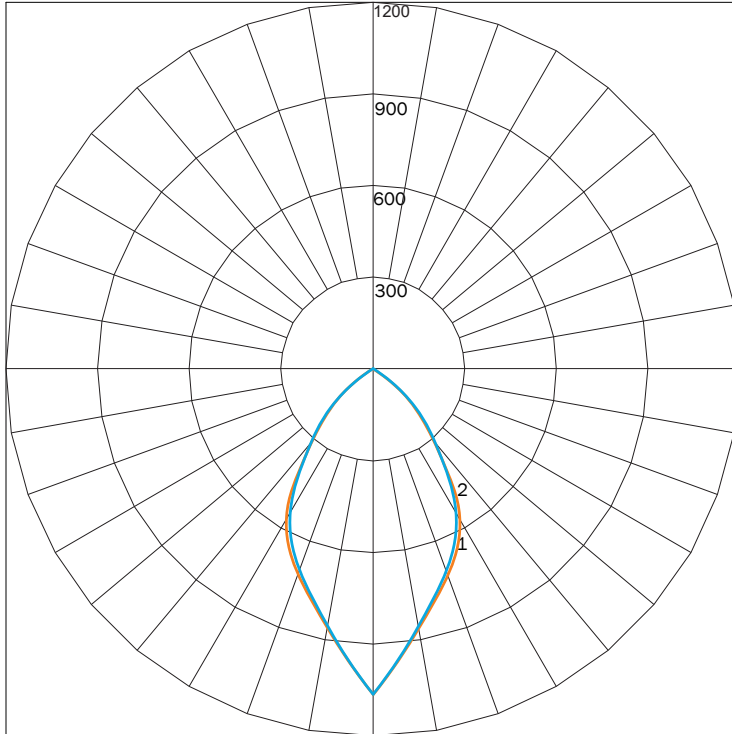
## DIRECT

PN	ILLUMINATION	GLOBE/LENS	LUMENS	WATTAGE
EBB	15LED	LNC	1086	15
		---	1127	15
	19LED	LNC	1735	19
		---	1888	19

### IES INDOOR REPORT

PHOTOMETRIC FILENAME : EBB 15 15LED LNS

### POLAR GRAPH



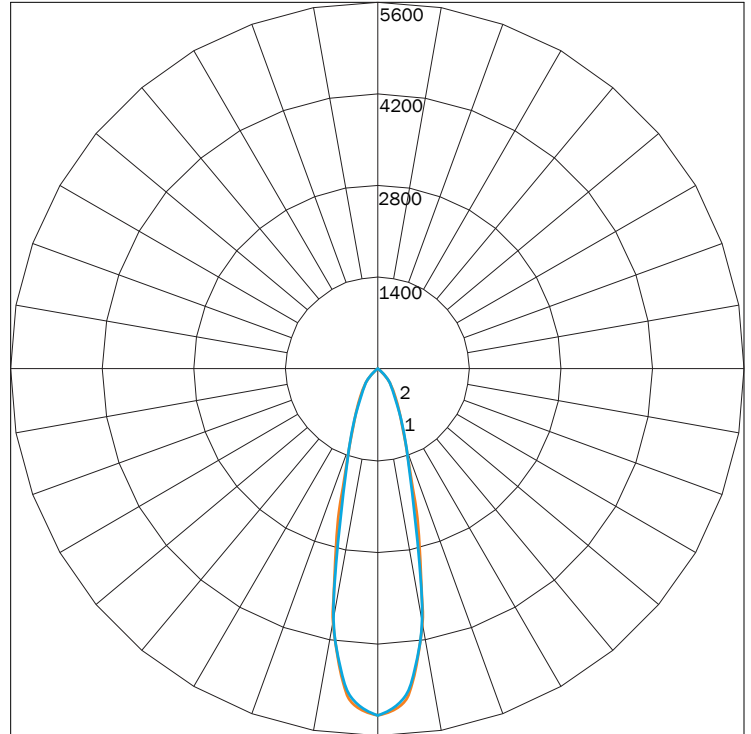
MAXIMUM CANDELA = 1019.78 LOCATED AT HORIZONTAL ANGLE = 0, VERTICAL ANGLE = 0  
 # 1 - VERTICAL PLANE THROUGH HORIZONTAL ANGLES (90 - 270)  
 # 2 - VERTICAL PLANE THROUGH HORIZONTAL ANGLES (0 - 180)

**LUMINAIRE LUMENS** 1086  
**TOTAL LUMINAIRE EFFICIENCY** NA  
**LUMINAIRE EFFICACY RATING** 63  
**TOTAL LUMINAIRE WATTS** 17

### IES INDOOR REPORT

PHOTOMETRIC FILENAME : EBB 15 19LED

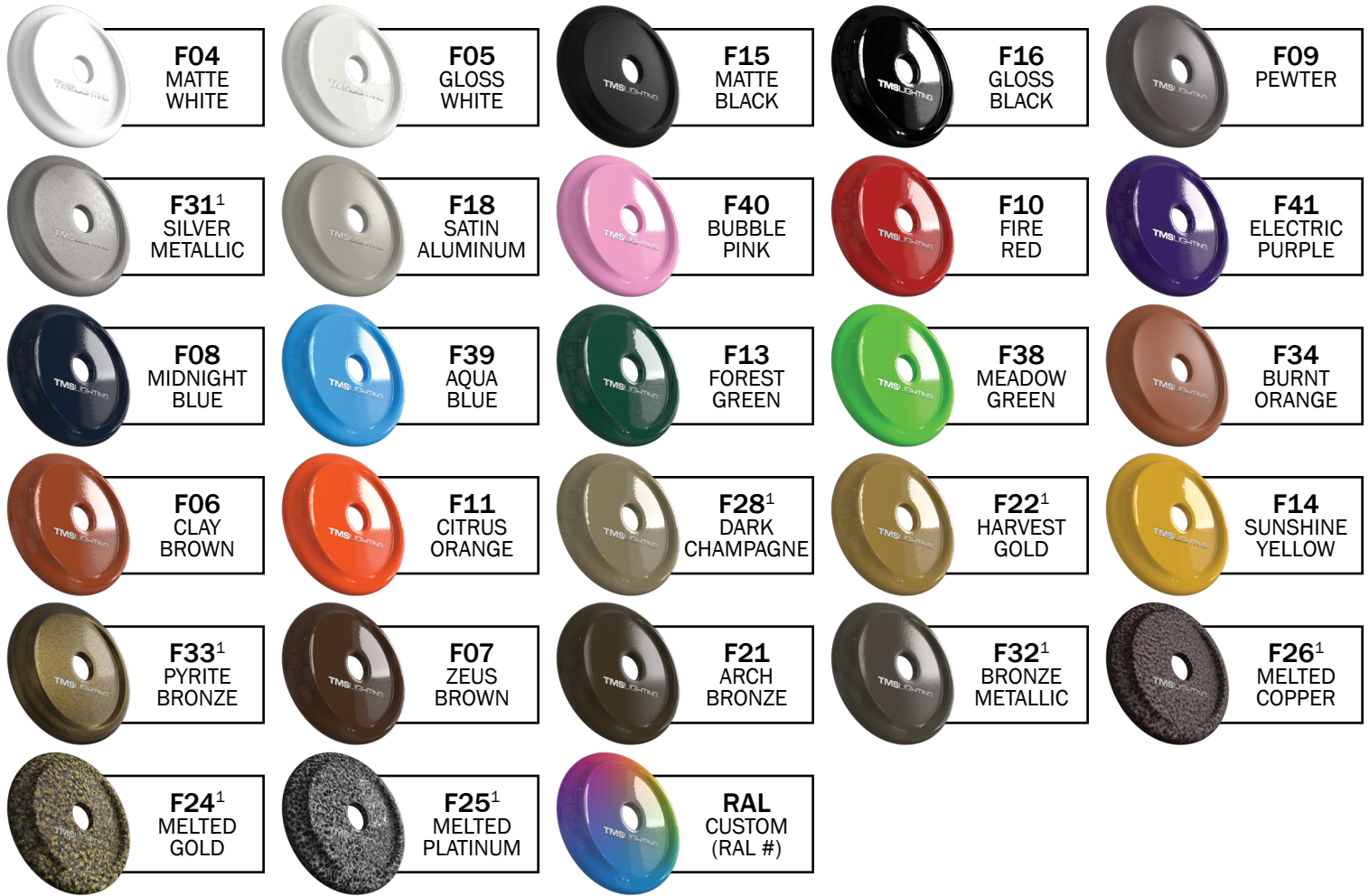
### POLAR GRAPH



MAXIMUM CANDELA = 5198.16 LOCATED AT HORIZONTAL ANGLE = 0, VERTICAL ANGLE = 0  
 # 1 - VERTICAL PLANE THROUGH HORIZONTAL ANGLES (90 - 270)  
 # 2 - VERTICAL PLANE THROUGH HORIZONTAL ANGLES (0 - 180)

**LUMINAIRE LUMENS** 1888  
**TOTAL LUMINAIRE EFFICIENCY** NA  
**LUMINAIRE EFFICACY RATING** 88  
**TOTAL LUMINAIRE WATTS** 22

## FINISHES



## PREMIUM FINISHES



## PREMIUM MATERIALS



1: FINISHES IS APPLIED TO THE INTERIOR AND EXTERIOR OF THE FIXTURE.

2: MATERIALS ARE CONSISTENT (INTERIOR & EXTERIOR). STEMS AND CANOPIES WILL BE F16 GLOSS BLACK.

NOTE: ALL FINISHES NOT MARKED WITH NOTATION (1) ARE APPLIED TO THE EXTERIOR ONLY. THE INTERIOR WILL BE F05 GLOSS WHITE. MATTE FINISHES AVAILABLE. CONSULT FACTORY.

FINISHES ARE SUBJECT TO AVAILABILITY AND MAY NOT BE APPLICABLE TO ALL FIXTURES OR FOR QUICKSHIP.

DISPLAYED FINISHES DIFFER BETWEEN SCREENS AS WELL AS PRINTERS AND MAY NOT ACCURATELY DEPICT COLOR.