

PROJECT: \_\_\_\_\_

TYPE: \_\_\_\_\_

QTY: \_\_\_\_\_



## PRODUCT #

**350DI**

## APPLICATION

- PENDANT MOUNT
- INDOOR RATED

## DIMENSIONS

- 8", 18", AND 24"
- (20CM, 46CM, AND 61CM)

## ILLUMINATION

- DIRECT
- LED 90 CRI
- 2,622 - 2,657 LUMEN RANGE

## LED DRIVER

- CANOPY

## DIFFUSERS

- HIGH EFFICIENCY ACRYLIC

## MOUNTING

- 120" (30.5CM) BLACK OR WHITE CORD WITH AC CABLES
- 120" (30.5CM) POWER OVER SUSPENSION

## CONSTRUCTION

- ALUMINUM

## FINISHES

- AVAILABLE IN SEVERAL TMS POWDER COATED FINISHES
- CUSTOM RAL FINISHES AVAILABLE

## DIMMING

- 0-10V (1%) DIMMING (120 - 277V)
- LINE VOLTAGE/TRIAC/ELV (120V ONLY)
- LUTRON HI-LUME (1%) DIMMING (120 - 277V)

## WEIGHT

- 4 LBS. - 8.5 LBS.



DIRECT



INDOOR



Intertek



PROJECT: \_\_\_\_\_ TYPE: \_\_\_\_\_ QTY: \_\_\_\_\_

**350DI** -  1 -  2 -  3 -  4 -  5 -  6 -  7 -  8 -  9 -  10

1.	8	18	24
DIAMETER	8" DIA. (20CM)	18" DIA. (46CM)	24" DIA. (61CM)
LED (W)	20W	30W	30W
LUMENS	1718	2622	2657

2.	H	M	L	C: ____ <sup>1</sup>
OUTPUT	100% LUMENS	75% LUMENS	50% LUMENS	[CUSTOM]% LUMENS

3.	30K	35K	40K
CCT	3000	3500	4000

4.	120	277	347
VOLTAGE	120V	277V	347V

5.	BC	WC
CORD	BLACK DROP CORD	WHITE DROP CORD

6.	ADDITIONAL AND PREMIUM FINISHES AVAILABLE. SEE FINISHES CHART							F04	F05	F15	F16	F09	F31	F18
FINISH								MATTE WHITE	GLOSS WHITE	MATTE BLACK	GLOSS BLACK	PEWTER	SILVER METALLIC	SATIN ALUMINUM

7.	F04	F05	F10	F14	F15	00
INTERIOR FINISH	MATTE WHITE	GLOSS WHITE	FIRE RED	SUNSHINE YELLOW	MATTE BLACK	SAME AS OUTSIDE

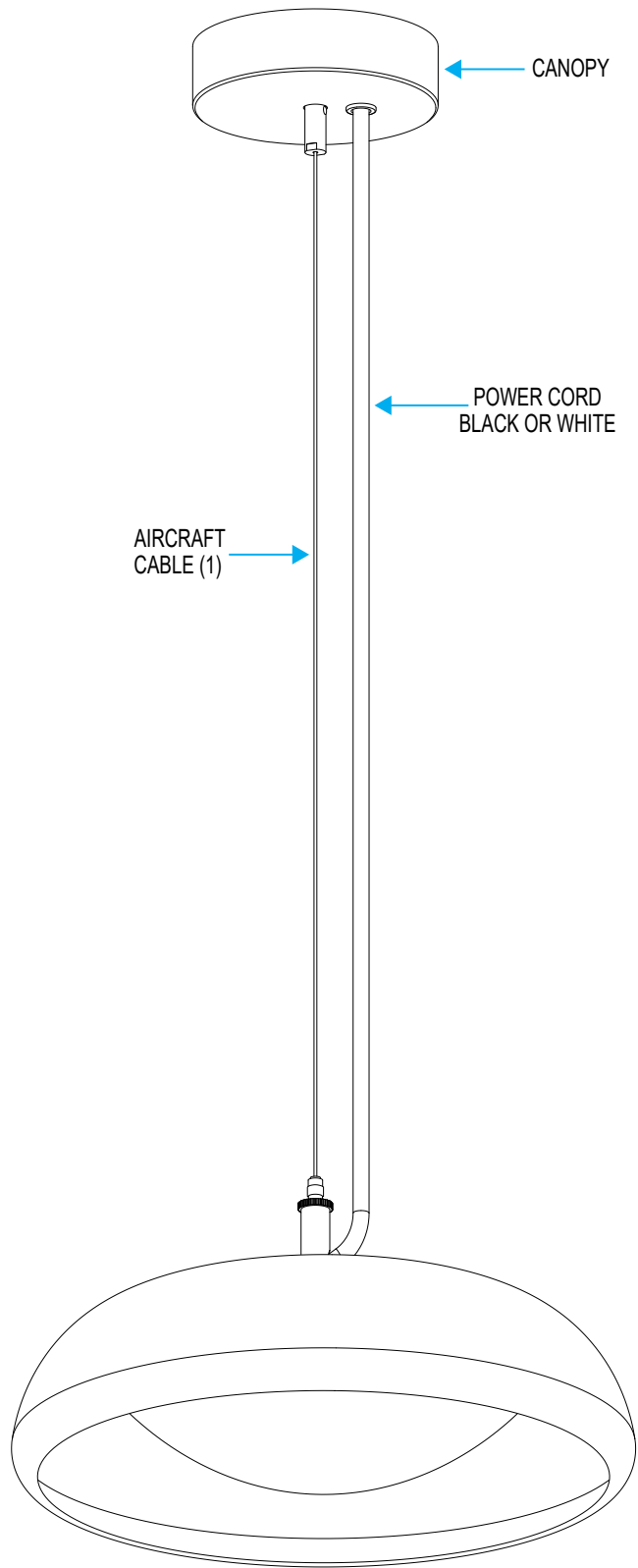
8.	DIML	DIME	DIMV
DIMMING	0-10V(1%) (120-277V)	LUTRON HI-LUME (1%) (120-277V)	LINE VOLTAGE/TRIAC/ELV (120V ONLY)

9.	----	EMR
EMERGENCY <sup>2</sup>	NONE	REMOTE

10.	----	ACC
ACCESSORIES	NONE	AIRCRAFT CABLE

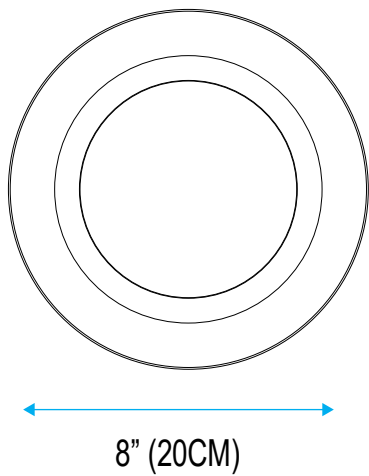
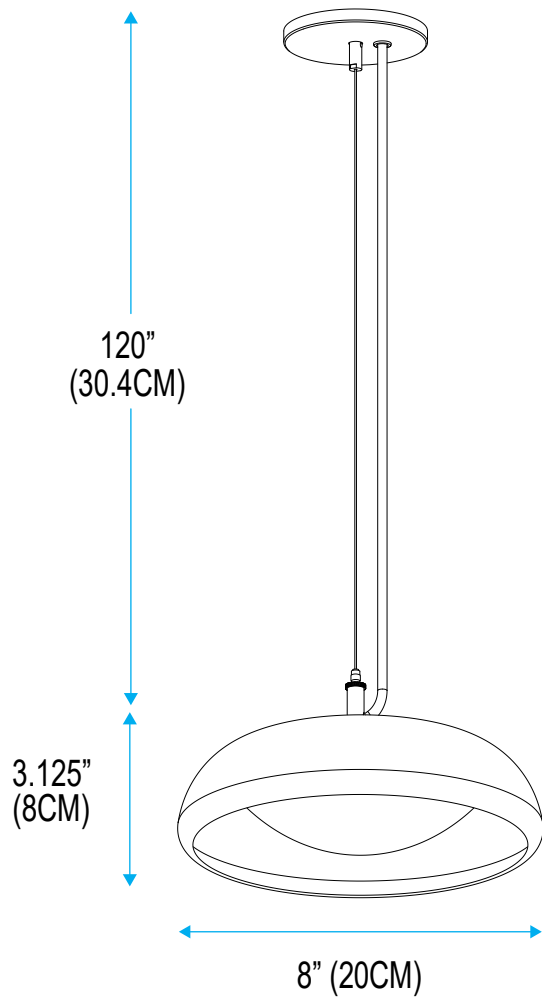
<sup>1</sup>. REFLECTOR COLOR INSIDE  
<sup>2</sup>. 10W AT 90 MINUTES

NOTE: SOME OPTIONS MAY NOT BE COMPATIBLE WITH OTHERS. ALL SPECIFICATIONS ARE SUBJECT TO CHANGE WITHOUT NOTICE. CONTACT TMS LIGHTING FOR UPDATED SPECIFICATIONS.

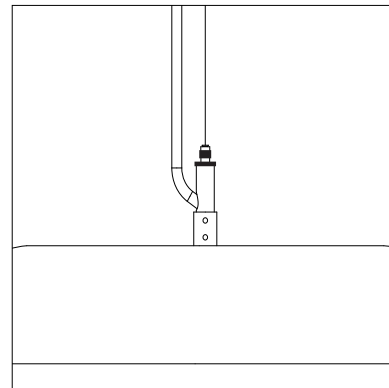


NOTE: J-BOX BY OTHERS

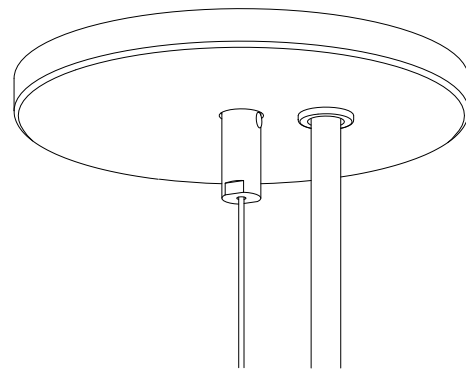
## DROP CORD



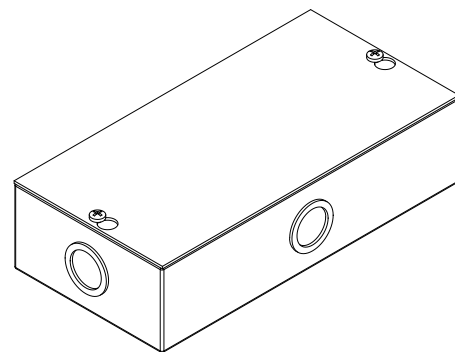
## DROP CORD WITH AIRCRAFT CABLE



LED



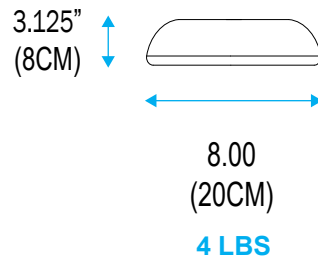
## REMOTE (DRIVER AND/OR EMERGENCY)



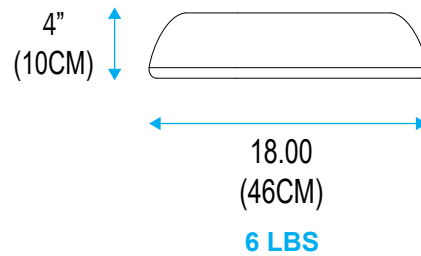
REMOTE LED DRIVER BOX

NOTE: J-BOX BY OTHERS

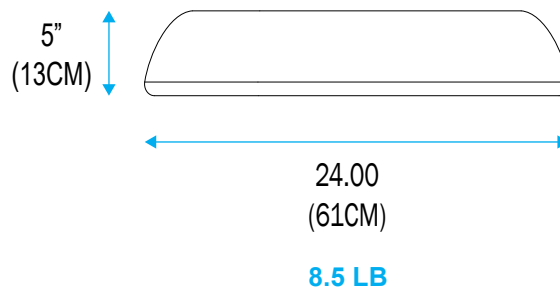
### DISCO - 8" DIA.



### DISCO - 18" DIA.



### DISCO - 24" DIA.



**DIRECT LIGHTING**

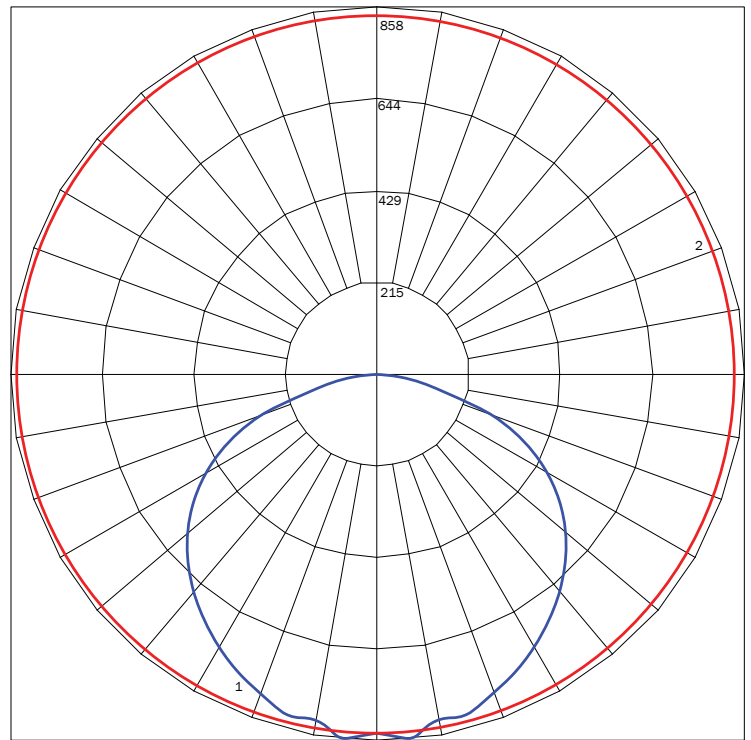
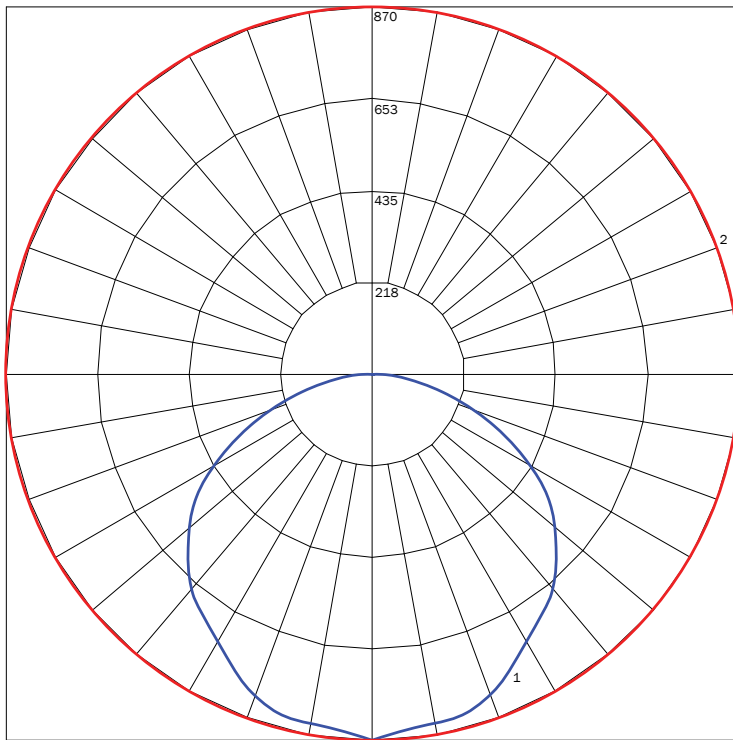
PN	SIZE(DIA)	ILLUMINATION	LUMENS	WATTAGE
350DI	8	---	---	---
	18	30LED	2622	20
	24	30LED	2657	30

**IES INDOOR REPORT**  
**PHOTOMETRIC FILENAME : 350DI 18 30LED 35K F05**

**IES INDOOR REPORT**  
**PHOTOMETRIC FILENAME : 350DI 24 30LED 35K F05**

**POLAR GRAPH**

**POLAR GRAPH**



MAXIMUM CANDELA = 870.39 - LOCATED AT HORIZONTAL ANGLE = 0, VERTICAL ANGLE = 0  
 # 1 - VERTICAL PLANE THROUGH HORIZONTAL ANGLES (0 - 180) (THROUGH MAX. CD.)  
 # 2 - HORIZONTAL CONE THROUGH VERTICAL ANGLE (0) (THROUGH MAX. CD.)

MAXIMUM CANDELA = 858.49 - LOCATED AT HORIZONTAL ANGLE = 180, VERTICAL ANGLE = 5  
 # 1 - VERTICAL PLANE THROUGH HORIZONTAL ANGLES (180 - 0) (THROUGH MAX. CD.)  
 # 2 - HORIZONTAL CONE THROUGH VERTICAL ANGLE (5) (THROUGH MAX. CD.)

**LUMINAIRE LUMENS** 2622  
**TOTAL LUMINAIRE EFFICIENCY** 79%  
**LUMINAIRE EFFECIENCY RATING** 86  
**TOTAL LUMINAIRE WATTS** 31

**LUMINAIRE LUMENS** 2657  
**TOTAL LUMINAIRE EFFICIENCY** 80%  
**LUMINAIRE EFFECIENCY RATING** 87  
**TOTAL LUMINAIRE WATTS** 31

### STANDARD



**F04**<sup>1</sup>  
MATTE  
WHITE



**F05**<sup>1</sup>  
GLOSS  
WHITE



**F15**  
MATTE  
BLACK



**F16**  
GLOSS  
BLACK



**F09**<sup>1</sup>  
PEWTER



**F31**<sup>1</sup>  
SILVER  
METALLIC



**F18**<sup>1</sup>  
SATIN  
ALUMINUM



**F21**  
ARCH  
BRONZE

### PREMIUM



**RAL**  
CUSTOM  
(RAL #)



**F40**  
BUBBLE  
PINK



**F10**  
FIRE  
RED



**F41**  
ELECTRIC  
PURPLE



**F08**  
MIDNIGHT  
BLUE



**F39**  
AQUA  
BLUE



**F13**  
FOREST  
GREEN



**F38**  
MEADOW  
GREEN



**F45**  
COPPER  
METALLIC



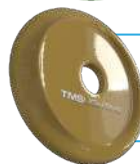
**F06**  
CLAY  
BROWN



**F11**  
CITRUS  
ORANGE



**F28**<sup>1</sup>  
DARK  
CHAMPAGNE



**F22**  
HARVEST  
GOLD



**F14**  
SUNSHINE  
YELLOW



**F33**<sup>1</sup>  
PYRITE  
BRONZE



**F07**  
ZEUS  
BROWN



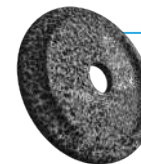
**F32**  
BRONZE  
METALLIC



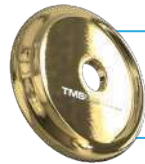
**F26**<sup>1</sup>  
MELTED  
COPPER



**F25**<sup>1</sup>  
MELTED  
GOLD



**F24**<sup>1</sup>  
MELTED  
PLATINUM



**F43**<sup>1</sup>  
FAUX  
GOLD



**F42**<sup>1</sup>  
FAUX  
CHROME

### ACCENT



**F04**  
MATTE  
WHITE



**F05**  
GLOSS  
WHITE



**F15**  
MATTE  
BLACK



**F10**  
FIRE  
RED



**F14**  
SUNSHINE  
YELLOW

**00**  
SAME  
FINISH



**RAL**  
CUSTOM  
(RAL #)

1: FINISHES IS APPLIED TO THE INTERIOR AND EXTERIOR OF THE FIXTURE.  
2: MATERIALS ARE CONSISTENT (INTERIOR & EXTERIOR). STEMS AND CANOPIES WILL BE F16 GLOSS BLACK.  
NOTE: ALL FINISHES NOT MARKED WITH NOTATION (1) ARE APPLIED TO THE EXTERIOR ONLY. THE INTERIOR WILL BE F05 GLOSS WHITE.  
MATTE FINISHES AVAILABLE. CONSULT FACTORY.  
FINISHES ARE SUBJECT TO AVAILABILITY AND MAY NOT BE APPLICABLE TO ALL FIXTURES OR FOR QUICKSHIP.