

DIAMANTE™ PENDANT

PROJECT: _____

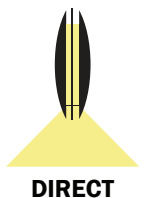
TYPE: _____

QUANTITY: _____



PN: 3250DI

| | |
|---------------------|---|
| APPLICATION | <ul style="list-style-type: none">• PENDANT MOUNT• INDOOR RATED |
| DIMENSION | <ul style="list-style-type: none">• 12" DIA X 32" H (30CM X 81CM) |
| ILLUMINATION | <ul style="list-style-type: none">• DIRECT• LED 90CRI• 1,792 - 2,019 LUMENS |
| ELECTRICAL | <ul style="list-style-type: none">• 120 - 277V (347V CONSULT FACTORY)• 10KA SURGE SUPPRESSION STANDARD |
| DIFFUSERS | <ul style="list-style-type: none">• HIGH EFFICIENCY ACRYLIC |
| MOUNTING | <ul style="list-style-type: none">• 120" (305CM) BLACK OR WHITE DROP CORD W/ AIRCRAFT CABLE |
| CONSTRUCTION | <ul style="list-style-type: none">• STEEL |
| FINISHES | <ul style="list-style-type: none">• AVAILABLE ANODIZED, AND IN SEVERAL TMS PLATED AND COATED FINISHES• CUSTOM RAL FINISHES AVAILABLE |
| DIMMING | <ul style="list-style-type: none">• 0 - 10V STANDARD DIMMING |
| WEIGHT | <ul style="list-style-type: none">• 30 LBS MAXIMUM |



DIAMANTE™ PENDANT



PROJECT: _____

TYPE: _____

QUANTITY: _____

3250DI

1 2 3 4 5 6 7 8

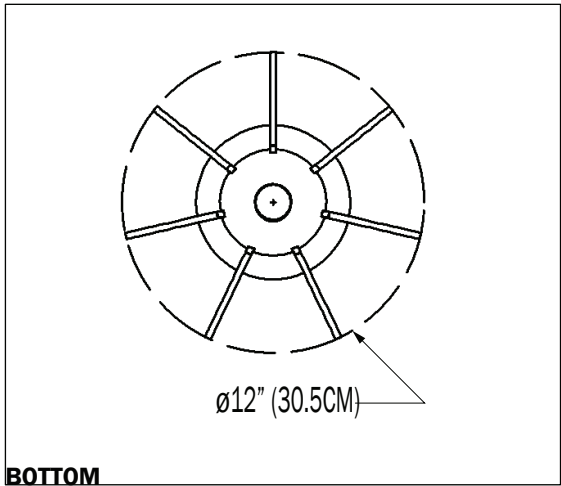
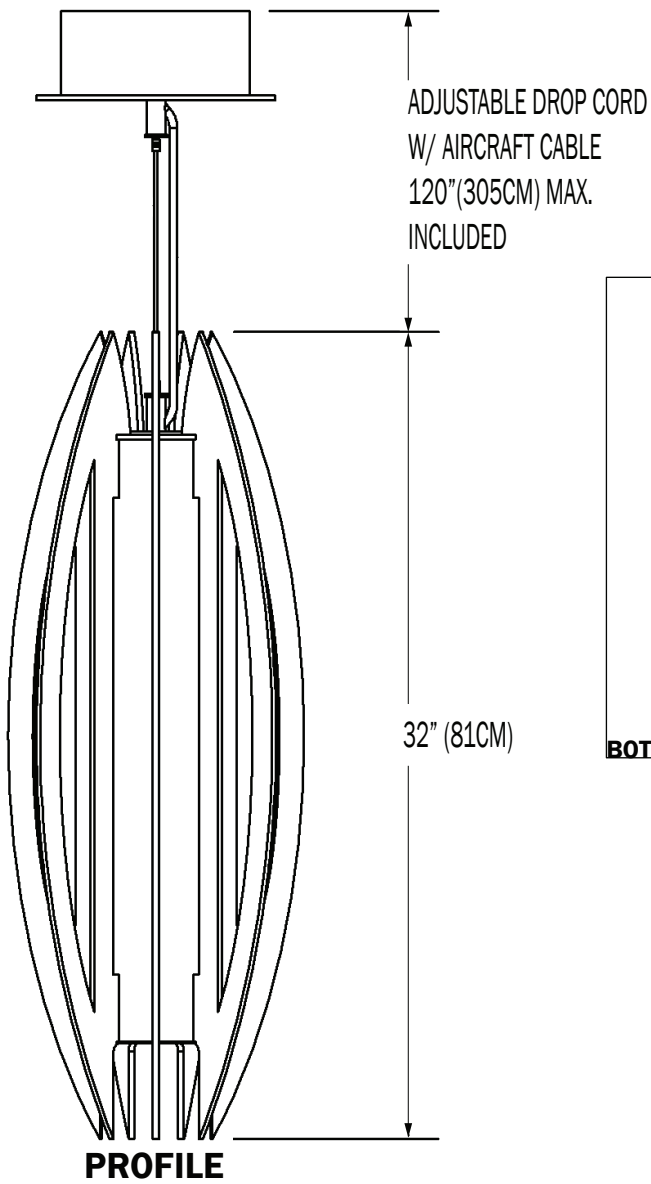
| | | | | | | | | | | |
|-----------------|-----------------------------------|-------------------------------|-----------------|-----------------|---------------|-----------------|--|----------------|----------------|-------------|
| 1. | ILLUMINATION | | | | | | | | | |
| | 30LED | | | | | | | | | |
| | LED (W) | 30W | | | | | | | | |
| LUMENS | 2019 | | | | | | | | | |
| 2. | CRD | | | | | | | | | |
| MOUNTING | 120" (305CM) DROP CORD | | | | | | | | | |
| 3. | 30K | | | 35K | | | | 40K | | |
| | LED CCT | 3000 | | | 3500 | | | | 4000 | |
| 4. | 120 | | | | | 277 | | | | |
| | VOLTAGE | 120V | | | | | 277V | | | |
| 5. | BC | | | | | WC | | | | |
| | CORD | BLACK DROP CORD | | | | | WHITE DROP CORD | | | |
| 6. | AN | SN | SB | CH | BC | AC | AB | PB | F04 | F05 |
| | ANODIZED (SILVER) | SATIN NICKEL | SATIN BRASS | CHROME | BLACK CHROME | ANTIQUE COPPER | ANTIQUE BRASS | POLISHED BRASS | MATTE WHITE | GLOSS WHITE |
| | F07 | F08 | F09 | F10 | F13 | F14 | F15 | F16 | F18 | F21 |
| | ZEUS BROWN | MIDNIGHT BLUE | PEWTER | FIRE RED | FOREST GREEN | SUNSHINE YELLOW | MATTE BLACK | GLOSS BLACK | SATIN ALUMINUM | ARCH BRONZE |
| | F24 | F25 | F26 | F31 | F32 | F33 | F45 | RAL | | |
| MELTED PLATINUM | MELTED GOLD | MELTED COPPER | SILVER METALLIC | BRONZE METALLIC | PYRITE BRONZE | COPPER METALLIC | CUSTOM (SPECIFY) | | | |
| 7. | --- | | | | | DIML | | | | |
| | DIMMING | NONE | | | | | LED DIMMING (1 - 10V, CURRENT - SINKING) | | | |
| 8. | ACC | | | | | | | | | |
| | MOUNTING ¹ ACCESSORIES | AIRCRAFT CABLE FOR DROP CORDS | | | | | | | | |

1. MAY REQUIRE TO COMPLY WITH LOCAL SEISMIC/EARTHQUAKE CODE

NOTE: SOME OPTIONS MAY NOT BE COMPATIBLE WITH OTHERS. ALL SPECIFICATIONS ARE SUBJECT TO CHANGE WITHOUT NOTICE. CONTACT TMS LIGHTING FOR UPDATED SPECIFICATIONS.

DIAMANTE™ PENDANT

3250DI



CUSTOM

NOTE: THIS FIXTURE CAN BE CUSTOMIZE. DIMENSION, LAMP TYPES, ENCLOSURE, AND COLOR CAN BE MODIFIED TO SUIT YOUR LIGHTING AND ARCHITECTURAL REQUIREMENTS. CONTACT YOUR LOCAL REPRESENTATIVE FOR MORE DETAILS: <http://tmslighting.com/sales-agents.html>

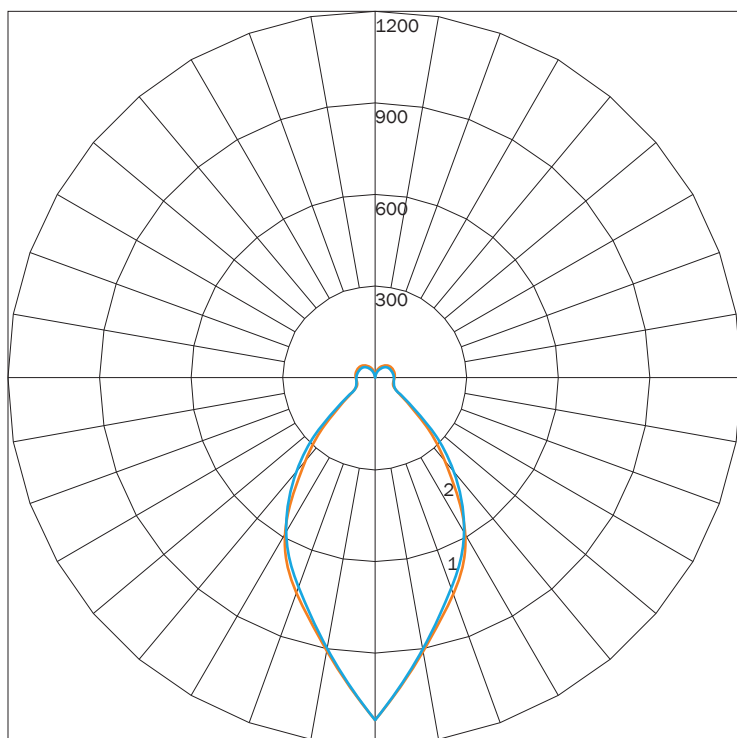
DIRECT

| PN | FINISH | LUMENS | WATTAGE |
|--------|--------|--------|---------|
| 3250DI | F32 | 1792 | 30 |
| | F31 | 2019 | 30 |

IES INDOOR REPORT

PHOTOMETRIC FILENAME : 3250DI 30LED F32.IES

POLAR GRAPH



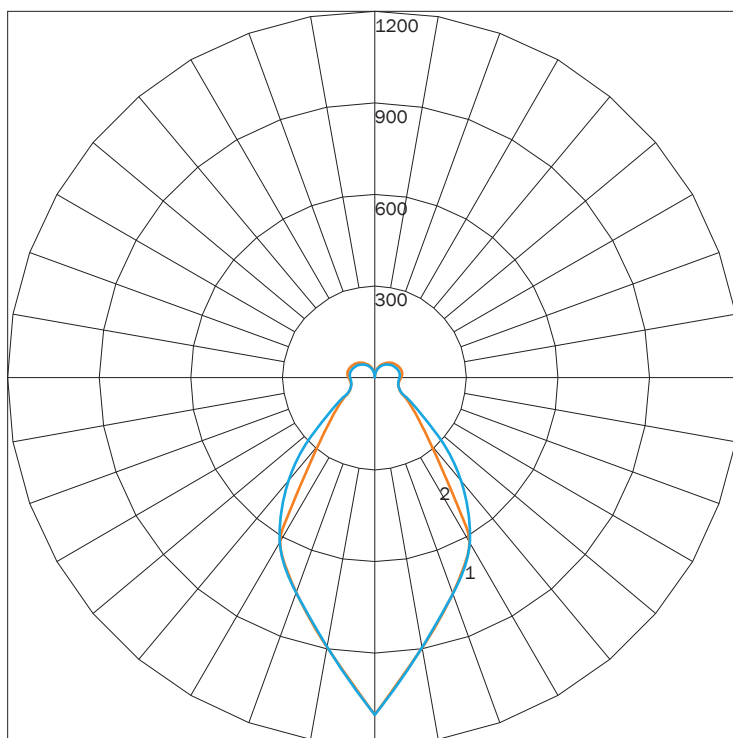
MAXIMUM CANDELA = 1119.46 LOCATED AT HORIZONTAL ANGLE = 0, VERTICAL ANGLE = 0
 # 1 - VERTICAL PLANE THROUGH HORIZONTAL ANGLES (90 - 270)
 # 2 - VERTICAL PLANE THROUGH HORIZONTAL ANGLES (0 - 180)

LUMINAIRE LUMENS 1792
TOTAL LUMINAIRE EFFICIENCY NA
LUMINAIRE EFFICACY RATING 52
TOTAL LUMINAIRE WATTS 34

IES INDOOR REPORT

PHOTOMETRIC FILENAME : 3250DI 30LED F31.IES

POLAR GRAPH



MAXIMUM CANDELA = 1101.12 LOCATED AT HORIZONTAL ANGLE = 0, VERTICAL ANGLE = 0
 # 1 - VERTICAL PLANE THROUGH HORIZONTAL ANGLES (90 - 270)
 # 2 - VERTICAL PLANE THROUGH HORIZONTAL ANGLES (0 - 180)

LUMINAIRE LUMENS 2019
TOTAL LUMINAIRE EFFICIENCY NA
LUMINAIRE EFFICACY RATING 59
TOTAL LUMINAIRE WATTS 34

AVAILABLE FINISHES



AN
ANODIZED
(SILVER)



SN
SATIN
NICKEL



SB
SATIN
BRASS



CH
CHROME



BC
BLACK
CHROME



AC
ANTIQU
COPPER



AB
ANTIQU
BRASS



PB
POLISHED
BRASS



F04
MATTE
WHITE



F05
GLOSS
WHITE



F07
ZEUS
BROWN



F08
MIDNIGHT
BLUE



F09
PEWTER



F10
FIRE
RED



F13
FOREST
GREEN



F14
SUNSHINE
YELLOW



F15
MATTE
BLACK



F16
GLOSS
BLACK



F18
SATIN
ALUMINUM



F21
ARCH
BRONZE



F24
MELTED
PLATINUM



F25
MELTED
GOLD



F26
MELTED
COPPER



F31
SILVER
METALLIC



F32
METALLIC
BRONZE



F33
PYRITE
BRONZE



F45
COPPER
METALLIC



RAL
CUSTOM
COLOR
(RAL #)

NOTE: DISPLAYED FINISHES DIFFER BETWEEN SCREENS AS WELL AS PRINTERS AND MAY NOT ACCURATELY DEPICT COLOR.