

# DALIA™ PENDANT

PROJECT: \_\_\_\_\_

TYPE: \_\_\_\_\_

QUANTITY: \_\_\_\_\_



## PN: 9501

<b>APPLICATION</b>	<ul style="list-style-type: none"><li>• PENDANT MOUNT</li><li>• INDOOR RATED</li></ul>
<b>DIMENSION</b>	<ul style="list-style-type: none"><li>• 30", 47" (76CM, 119CM)</li></ul>
<b>ILLUMINATION</b>	<ul style="list-style-type: none"><li>• INDIRECT</li><li>• LED 90CRI</li><li>• 4,753 - 8,427 LUMENS</li></ul>
<b>ELECTRICAL</b>	<ul style="list-style-type: none"><li>• 120 - 277V</li><li>• 10kA SURGE SUPPRESSION STANDARD</li></ul>
<b>DIFFUSERS</b>	<ul style="list-style-type: none"><li>• HIGH EFFICIENCY ACRYLIC</li></ul>
<b>MOUNTING</b>	<ul style="list-style-type: none"><li>• STEM MOUNT</li></ul>
<b>CONSTRUCTION</b>	<ul style="list-style-type: none"><li>• ALUMINUM</li></ul>
<b>FINISHES</b>	<ul style="list-style-type: none"><li>• AVAILABLE IN SEVERAL TMS PLATED, AND POWDER COATED FINISHES</li><li>• CUSTOM RAL FINISHES AVAILABLE</li></ul>
<b>DIMMING</b>	<ul style="list-style-type: none"><li>• 0 - 10V STANDARD DIMMING</li></ul>
<b>WEIGHT</b>	<ul style="list-style-type: none"><li>• 30 LBS MAXIMUM</li></ul>



# DALIA™ PENDANT



PROJECT: \_\_\_\_\_

TYPE: \_\_\_\_\_

QUANTITY: \_\_\_\_\_

**9501** - - - - - 1 - - - - - 2 - - - - - 3 - - - - - 4 - - - - - 5 - - - - - 6

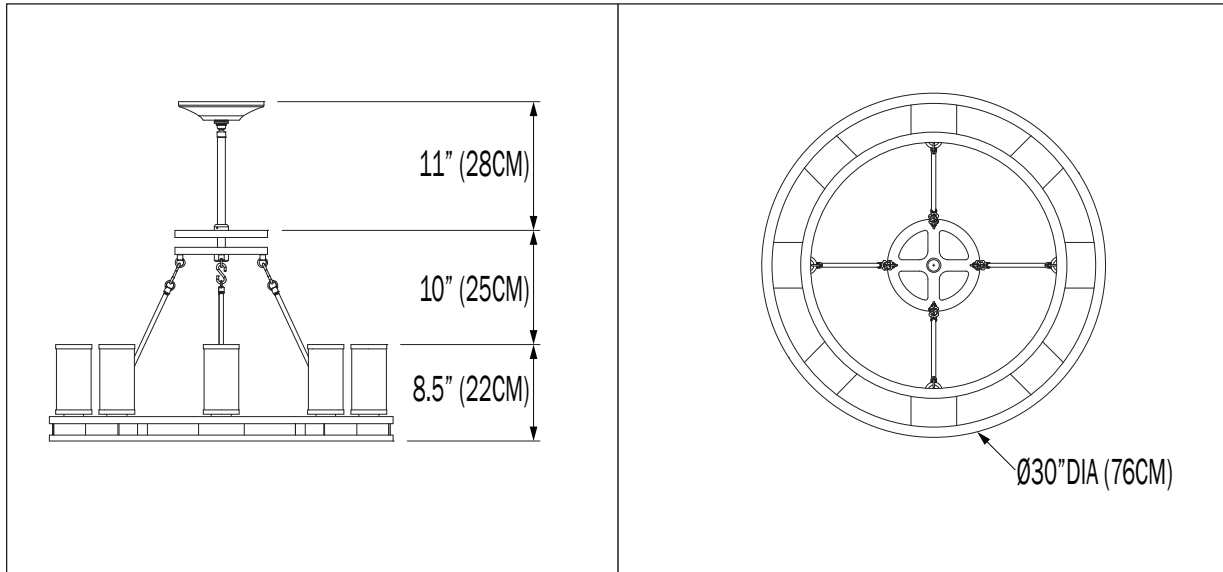
<b>1.</b>	<b>30</b>					<b>47</b>				
DIAMETER	30" DIA X 29.5"H (76CM X 74CM)					47" DIA X 38"H (122CM X 97CM)				
<b>2.</b>										
ILLUMINATION <sup>1</sup>	<b>60IN8</b>		<b>52LED</b>			<b>60IN12</b>		<b>78LED</b>		
LED (W)	8 X 60W INCANDESCENT (E 12/15 CANDELABRA)		52W			12 X 60W INCANDESCENT (E 12/15 CANDELABRA)		78W		
LUMENS	5562		---			8427		4753		
<b>3.</b>	---		<b>30K</b>			<b>35K</b>		<b>40K</b>		
LED CCT	NONE		3000			3500		4000		
<b>4.</b>	<b>120</b>					<b>277</b>				
VOLTAGE	120V					277V				
<b>5.</b>	<b>SN</b>	<b>SB</b>	<b>CH</b>	<b>BC</b>	<b>AC</b>	<b>AB</b>	<b>PB</b>	<b>F04</b>	<b>F05</b>	<b>F16</b>
FINISH	SATIN NICKEL	SATIN BRASS	CHROME	BLACK CHROME	ANTIQUE COPPER	ANTIQUE BRASS	POLISHED COPPER	MATTE WHITE	GLOSS WHITE	PEWTER
	<b>F16</b>	<b>F24</b>	<b>F25</b>	<b>F26</b>	<b>F31</b>	<b>F32</b>	<b>F33</b>	<b>RAL</b>		
	GLOSS BLACK	MELTED PLATINUM	MELTED GOLD	MELTED COPPER	SILVER METALLIC	BRONZE METALLIC	PYRITE BRONZE	CUSTOM (SPECIFY)		
<b>6.</b>	---					<b>DIML</b>				
DIMMING	NONE					LED DIMMING (0 - 10V, CURRENT - SINKING)				

1. DIFFUSER: LED MODELS ARE MADE WITH ACRYLIC DIFFUSERS, WHILE INCANDESCENT MODELS USE GLASS

NOTE: SOME OPTIONS MAY NOT BE COMPATIBLE WITH OTHERS. ALL SPECIFICATIONS ARE SUBJECT TO CHANGE WITHOUT NOTICE. CONTACT TMS LIGHTING FOR UPDATED SPECIFICATIONS.

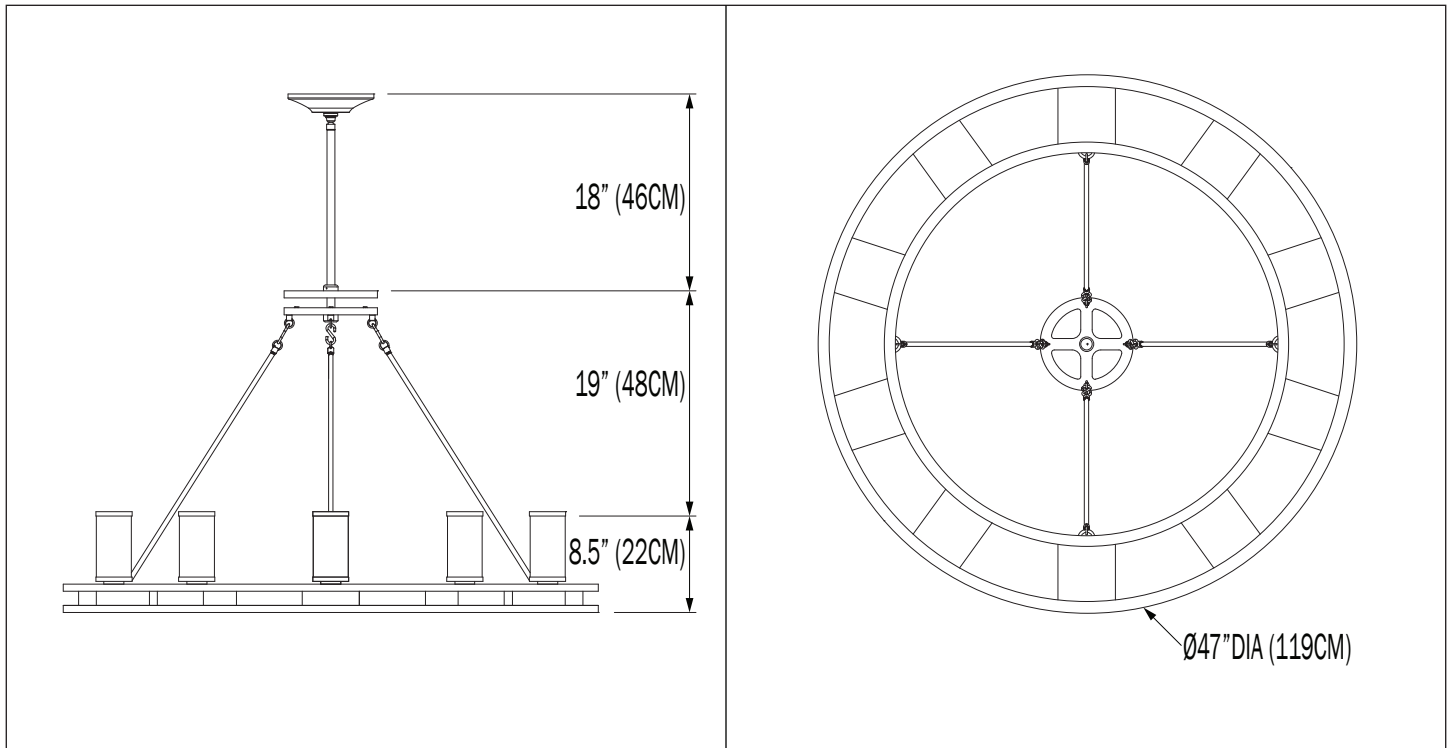
## 9501 - 30"

20 LB



## 9501 - 47"

30 LB



### CUSTOM

NOTE: THIS FIXTURE CAN BE CUSTOMIZE. DIMENSION, LAMP TYPES, ENCLOSURE, AND COLOR CAN BE MODIFIED TO SUIT YOUR LIGHTING AND ARCHITECTURAL REQUIREMENTS. CONTACT YOUR LOCAL REPRESENTATIVE FOR MORE DETAILS: <https://tmslighting.com/sales-agents.html>

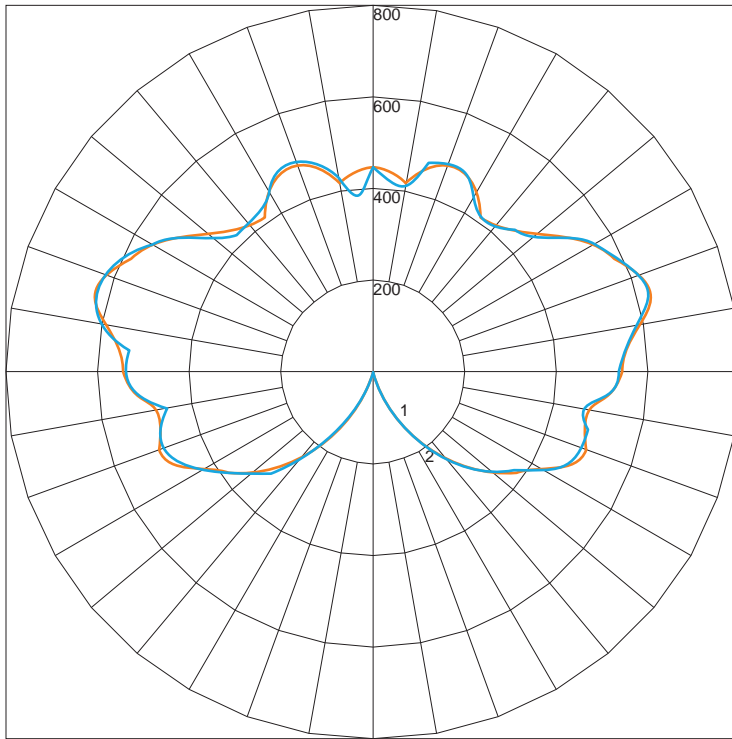
## INDIRECT

PN	SIZE (DIA)	ILLUMINATION	LUMENS	WATTAGE
9501	30	608IN	5562	480
	47	78LED	4753	78
		6012IN	8427	720

### IES INDOOR REPORT

PHOTOMETRIC FILENAME : 9501 30 60IN8 F32.IES

### POLAR GRAPH



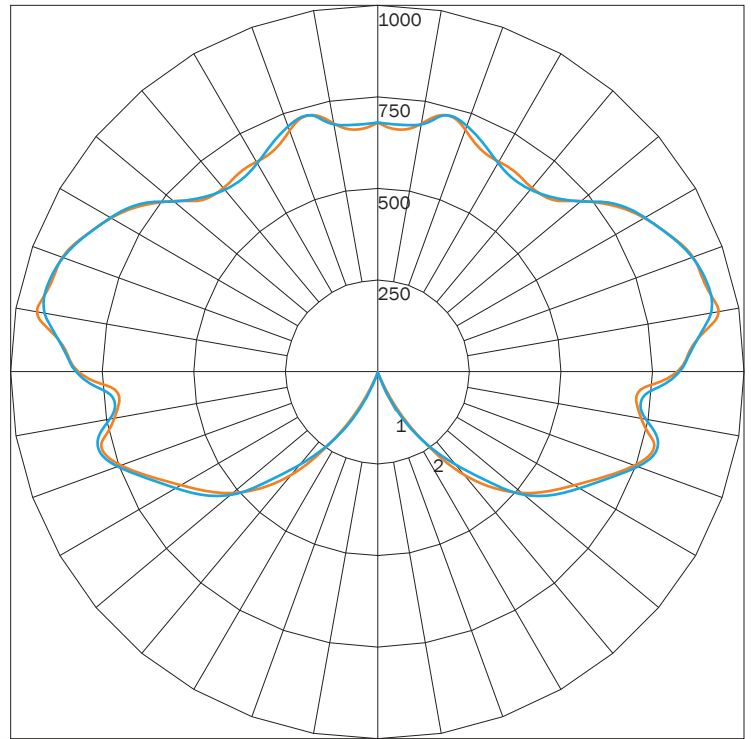
MAXIMUM CANDELA = 674.96 LOCATED AT HORIZONTAL ANGLE = 45, VERTICAL ANGLE = 175  
 # 1 - VERTICAL PLANE THROUGH HORIZONTAL ANGLES (90 - 270)  
 # 2 - VERTICAL PLANE THROUGH HORIZONTAL ANGLES (0 - 180)

<b>LUMINAIRE LUMENS</b>	5562
<b>TOTAL LUMINAIRE EFFICIENCY</b>	79%
<b>LUMINAIRE EFFICACY RATING</b>	12
<b>TOTAL LUMINAIRE WATTS</b>	480

### IES INDOOR REPORT

PHOTOMETRIC FILENAME : 9501 47 60IN12 F32.IES

### POLAR GRAPH



MAXIMUM CANDELA = 942.97 LOCATED AT HORIZONTAL ANGLE = 90, VERTICAL ANGLE = 100  
 # 1 - VERTICAL PLANE THROUGH HORIZONTAL ANGLES (90 - 270)  
 # 2 - VERTICAL PLANE THROUGH HORIZONTAL ANGLES (0 - 180)

<b>LUMINAIRE LUMENS</b>	8427
<b>TOTAL LUMINAIRE EFFICIENCY</b>	80%
<b>LUMINAIRE EFFICACY RATING</b>	12
<b>TOTAL LUMINAIRE WATTS</b>	720

## AVAILABLE FINISHES



**SN**  
SATIN  
NICKEL



**SB**  
SATIN  
BRASS



**CH**  
CHROME



**BC**  
BLACK  
CHROME



**AC**  
ANTIQUE  
COPPER



**AB**  
ANTIQUE  
BRASS



**PB**  
POLISHED  
BRASS



**F04**  
MATTE  
WHITE



**F05**  
GLOSS  
WHITE



**F09**  
PEWTER



**F16**  
GLOSS  
BLACK



**F24**  
MELTED  
PLATINUM



**F25**  
MELTED  
GOLD



**F26**  
MELTED  
COPPER



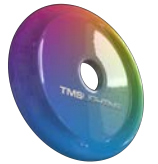
**F31**  
SILVER  
METALLIC



**F32**  
METALLIC  
BRONZE



**F33**  
PYRITE  
BRONZE



**RAL**  
CUSTOM  
COLOR  
(RAL #)

NOTE: DISPLAYED FINISHES DIFFER BETWEEN SCREENS AS WELL AS PRINTERS AND MAY NOT ACCURATELY DEPICT COLOR.