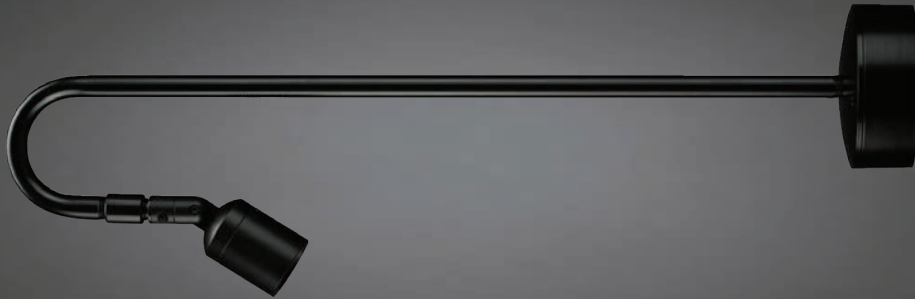


PROJECT: _____

TYPE: _____

QUANTITY: _____



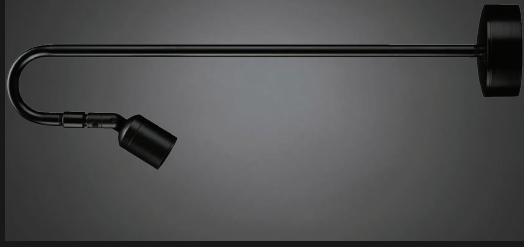
PN: D16

APPLICATION	<ul style="list-style-type: none">• WALL MOUNT• INDOOR OR OUTDOOR RATED
DIMENSION	<ul style="list-style-type: none">• 2.375" DIA (6CM)
ILLUMINATION	<ul style="list-style-type: none">• DIRECT• LED 90CRI• 526 - 675 LUMENS
ELECTRICAL	<ul style="list-style-type: none">• 120V• 10kA SURGE SUPPRESSION STANDARD
DRIVER	<ul style="list-style-type: none">• WALL MOUNT (INTEGRAL)• REMOTE MOUNT (INDOOR OR OUTDOOR)
DIFFUSERS	<ul style="list-style-type: none">• UV STABILIZED TEMPERED GLASS
MOUNTING	<ul style="list-style-type: none">• WALL, MOUNTED OVER A 4"(10CM) J-BOX
CONSTRUCTION	<ul style="list-style-type: none">• ALUMINUM
FINISHES	<ul style="list-style-type: none">• AVAILABLE IN WHITE OR MATTE BLACK POWDER COATED FINISHES



DIRECT

D16™ WALL



PROJECT: _____

TYPE: _____

QUANTITY: _____

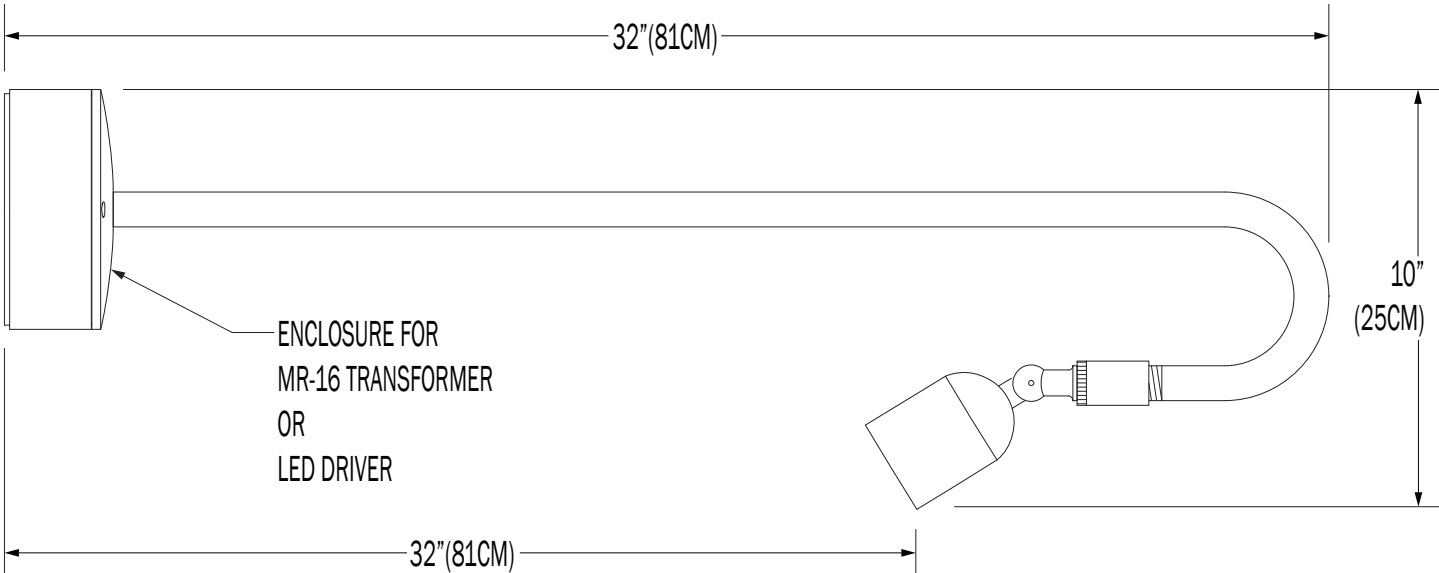
D16 - - - - -
 1 2 3 4

1.	ILLUMINATION		
	50MR	10LED	12LED
LED (W)	50W 12V MR-16	10W (41° BEAM, 3000K)	12W (60° BEAM, 3000K)
LUMENS	---	526	675
2.	120		
VOLTAGE	120V		
3.	WM	N1	N4
	WALL MOUNT (INTEGRAL)	REMOTE INDOOR MOUNT (NEMA 1)	REMOTE OUTDOOR MOUNT (NEMA 4)
4.	F04	F05	F15
	MATTE WHITE	GLOSS WHITE	MATTE BLACK

NOTE: SOME OPTIONS MAY NOT BE COMPATIBLE WITH OTHERS. ALL SPECIFICATIONS ARE SUBJECT TO CHANGE WITHOUT NOTICE. CONTACT TMS LIGHTING FOR UPDATED SPECIFICATIONS.

D16

PROFILE VIEW



CUSTOM

NOTE: THIS FIXTURE CAN BE CUSTOMIZE. DIMENSION, LAMP TYPES, ENCLOSURE, AND COLOR CAN BE MODIFIED TO SUIT YOUR LIGHTING AND ARCHITECTURAL REQUIREMENTS. CONTACT YOUR LOCAL REPRESENTATIVE FOR MORE DETAILS: <https://tmslighting.com/sales-agents.html>

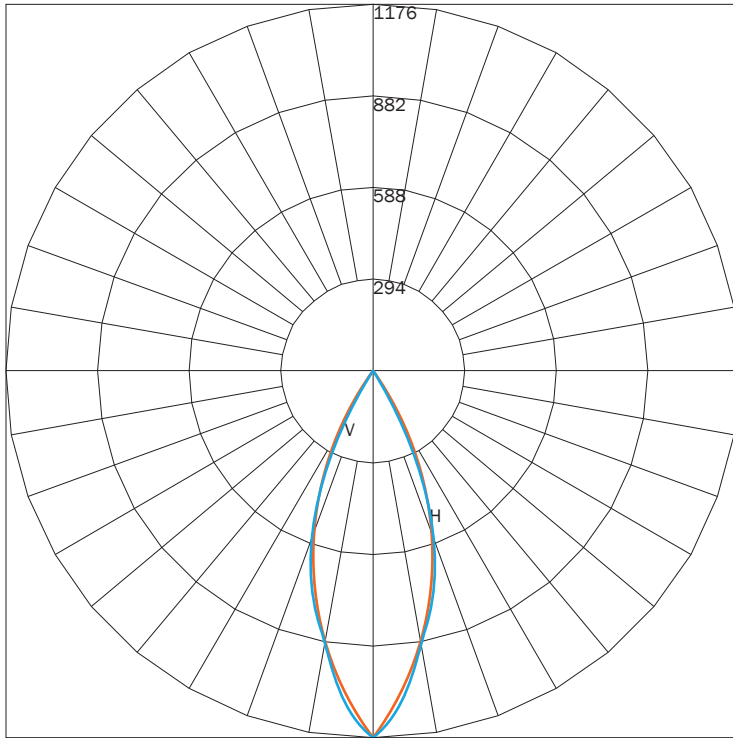
DIRECT

PN	ILLUMINATION	LUMENS	WATTAGE
D16	10LED	526	10
	12LED	675	12

IES INDOOR REPORT

PHOTOMETRIC FILENAME : D16 10LED PHO.IES

POLAR GRAPH



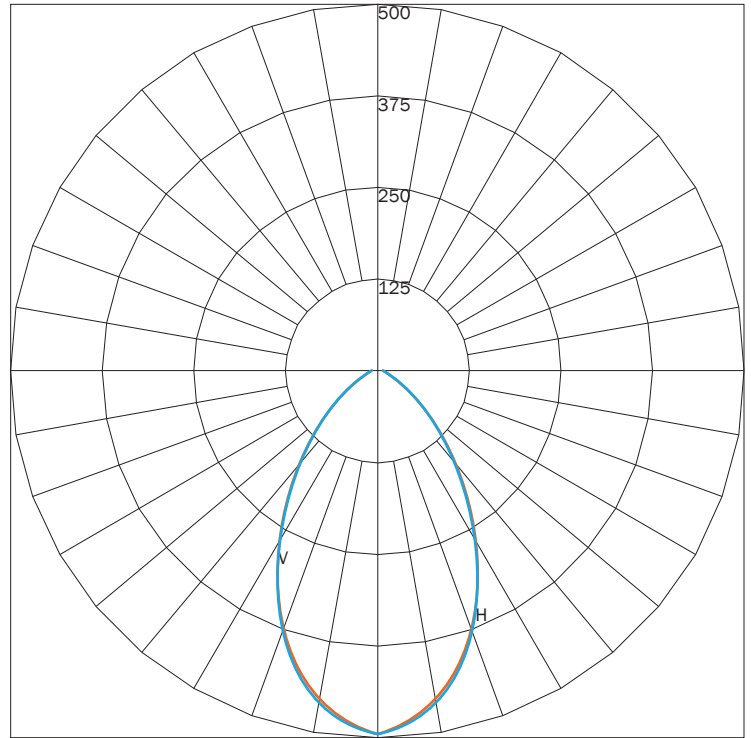
MAXIMUM CANDELA = 1176.09 LOCATED AT HORIZONTAL ANGLE = 0, VERTICAL ANGLE = 0
 # 1 - VERTICAL PLANE THROUGH HORIZONTAL ANGLES (90 - 270)
 # 2 - VERTICAL PLANE THROUGH HORIZONTAL ANGLES (0 - 180)

LUMINAIRE LUMENS	526
TOTAL LUMINAIRE EFFICIENCY	101%
LUMINAIRE EFFICACY RATING	53
TOTAL LUMINAIRE WATTS	10

IES INDOOR REPORT

PHOTOMETRIC FILENAME : D16 12LED PHO.IES

POLAR GRAPH



MAXIMUM CANDELA = 495.689 LOCATED AT HORIZONTAL ANGLE = 0, VERTICAL ANGLE = 0
 # 1 - VERTICAL PLANE THROUGH HORIZONTAL ANGLES (90 - 270)
 # 2 - VERTICAL PLANE THROUGH HORIZONTAL ANGLES (0 - 180)

LUMINAIRE LUMENS	675
TOTAL LUMINAIRE EFFICIENCY	97%
LUMINAIRE EFFICACY RATING	56
TOTAL LUMINAIRE WATTS	12

AVAILABLE FINISHES



F04
MATTE
WHITE



F05
GLOSS
WHITE



F15
MATTE
BLACK

NOTE: DISPLAYED FINISHES DIFFER BETWEEN SCREENS AS WELL AS PRINTERS AND MAY NOT ACCURATELY DEPICT COLOR.