

PROJECT: \_\_\_\_\_

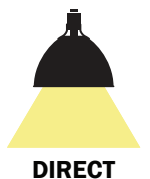
TYPE: \_\_\_\_\_

QUANTITY: \_\_\_\_\_



## PN: CUB

<b>APPLICATION</b>	<ul style="list-style-type: none"> <li>• PENDANT MOUNT</li> <li>• INDOOR OR OUTDOOR RATED</li> </ul>
<b>DIMENSION</b>	<ul style="list-style-type: none"> <li>• 9", 10", 12", 15", 18", 20" (23CM, 25CM, 30CM, 38CM, 46CM, 51CM)</li> </ul>
<b>ILLUMINATION</b>	<ul style="list-style-type: none"> <li>• DIRECT</li> <li>• LED 90CRI</li> <li>• 1,083 - 2,894 LUMENS</li> </ul>
<b>ELECTRICAL</b>	<ul style="list-style-type: none"> <li>• 120V, 277V AND 347V</li> <li>• 10kA SURGE SUPPRESSION STANDARD</li> </ul>
<b>DIFFUSERS</b>	<ul style="list-style-type: none"> <li>• CLEAR OR FROSTED, ELONGATED GLASS GLOBE</li> </ul>
<b>MOUNTING</b>	<ul style="list-style-type: none"> <li>• 120" (305CM) BLACK OR WHITE DROP CORD W/ AIRCRAFT CABLE</li> <li>• 60" STEM MOUNT</li> </ul>
<b>CONSTRUCTION</b>	<ul style="list-style-type: none"> <li>• ALUMINUM, COPPER OR STEEL</li> </ul>
<b>FINISHES</b>	<ul style="list-style-type: none"> <li>• AVAILABLE IN SEVERAL TMS SPECIALTY, AND POWDER COATED FINISHES</li> <li>• CUSTOM RAL FINISHES AVAILABLE</li> </ul>
<b>DIMMING</b>	<ul style="list-style-type: none"> <li>• 0 - 10V STANDARD DIMMING (1%)</li> </ul>
<b>WEIGHT</b>	<ul style="list-style-type: none"> <li>• 5 LBS MAXIMUM</li> </ul>



# CUBA™ PENDANT



PROJECT: \_\_\_\_\_  
 TYPE: \_\_\_\_\_  
 QUANTITY: \_\_\_\_\_

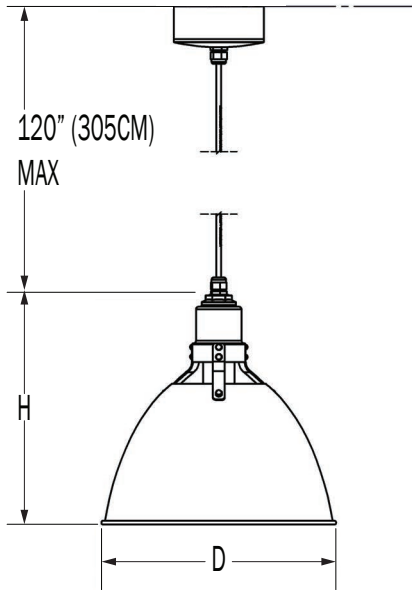
## CUB

1 2 3 4 5 6 7 8 9 10 11 12 13

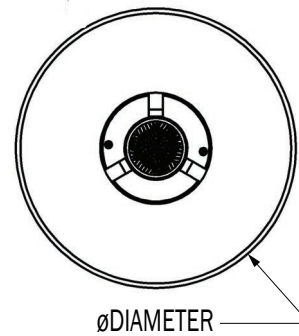
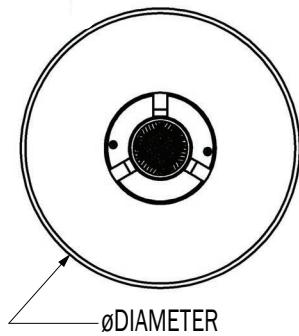
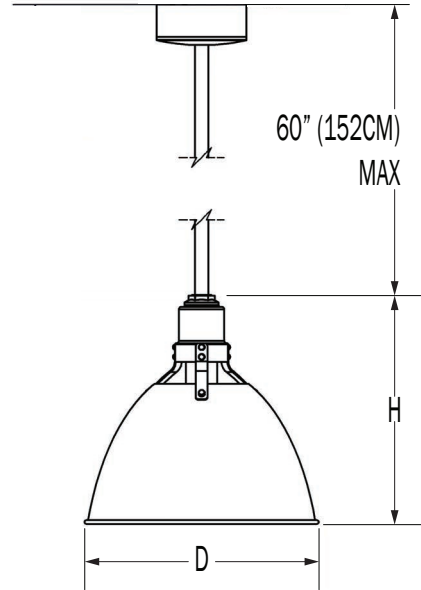
<b>1.</b>	<b>I</b>					<b>O</b>						
APPLICATION	INDOOR					OUTDOOR						
<b>2.</b>	<b>9<sup>1</sup></b>	<b>10<sup>2</sup></b>	<b>12<sup>3</sup></b>	<b>15<sup>3</sup></b>	<b>18<sup>4</sup></b>	<b>20<sup>4</sup></b>						
DIAMETER	9"DIA. (23CM)	10"DIA. (25CM)	12"DIA. (31CM)	15"DIA. (38CM)	18"DIA. (46CM)	20"DIA. (51CM)						
<b>3.</b>	<b>100IN</b>	<b>200IN</b>	<b>17LED<sup>5</sup></b>		<b>15LED</b>	<b>19LED</b>	<b>32LED</b>					
ILLUMINATION	MED BASE (MAX 100W INC)	MED BASE (MAX 100W INC)	17W LED PAR38 E26 MED.BASE, 4000K, 60°		15W LED	19W LED	32W LED					
<b>4.</b>	<b>CRD</b>	<b>C01</b>	<b>C06</b>	<b>C12</b>	<b>C18</b>	<b>C24</b>	<b>C36</b>	<b>C48</b>	<b>C60</b>			
MOUNTING	120"(305CM) DROP CORD	1"(2.5CM) STEM MOUNT	6"(15CM) STEM MOUNT	12"(31CM) STEM MOUNT	18"(46CM) STEM MOUNT	24"(61CM) STEM MOUNT	36"(91CM) STEM MOUNT	48"(122CM) STEM MOUNT	60"(152CM) STEM MOUNT			
<b>5.</b>	<b>BC</b>					<b>WC</b>						
CORD	BLACK DROP CORD					WHITE DROP CORD						
<b>6.</b>	---		<b>30K</b>			<b>35K</b>		<b>40K</b>				
LED CCT	NONE		3000			3500		4000				
<b>7.</b>	<b>120</b>			<b>277</b>			<b>347</b>					
VOLTAGE	120V			277V			347V					
<b>8.</b>	<b>ADDITIONAL AND PREMIUM FINISHES            AVAILABLE. SEE FINISHES CHART</b>			<b>F04</b>	<b>F05</b>	<b>F15</b>	<b>F16</b>	<b>F09</b>	<b>F31</b>	<b>F18</b>		
FINISH <sup>6</sup>												
				<b>F06</b>	<b>F07</b>	<b>F08</b>	<b>F10</b>	<b>F11</b>	<b>F13</b>	<b>F14</b>	<b>F21</b>	<b>F22</b>
	CLAY BROWN	ZEUS BROWN	MIDNIGHT BLUE	FIRE RED	CITRUS ORANGE	FOREST GREEN	SUNSHINE YELLOW	ARCH. BRONZE	HARVEST GOLD	MELTED PLATINUM		
<b>9.</b>	---		<b>G1</b>	<b>G2</b>	<b>G9</b>	<b>G11</b>	<b>G12</b>					
GLOBE/ LENS	NONE		CLEAR, ELONGATED GLOBE	FROSTED GLOBE	CLEAR, ELONGATED, LARGE GLOBE	CLEAR, ELONGATED GLOBE WITH CAST GUARD	CLEAR, ELONGATED, LARGE GLOBE WITH CAST GUARD					
<b>10.</b>	---					<b>DIML</b>						
DIMMING	NONE					0 - 10V DIMMING						
<b>11.</b>	---		<b>EM</b>	<b>EMC</b>	<b>EMR</b>	<b>EMCR</b>						
EMERGENCY <sup>7</sup>	NONE		INTEGRAL	INTEGRAL COLD PACK	REMOTE	REMOTE COLD PACK						
<b>12.</b>	---			<b>BL</b>			<b>ACC</b>					
MOUNTING <sup>8</sup> ACCESSORIES	NONE			CEILING SLOPE ADAPTER FOR STEM MOUNT (30°)			AIRCRAFT CABLE FOR DROP CORDS					
<b>13.</b>	---		<b>W10</b>	<b>W12</b>	<b>W15</b>	<b>W18</b>	<b>W20</b>					
WIRE GUARD	NONE		10"(25CM) WIRED GUARD	12"(30CM) WIRED GUARD	15"(38CM) WIRED GUARD	18"(46CM) WIRED GUARD	20"(51CM) WIRED GUARD					

1. SIZE 9" IS ONLY AVAILABLE FOR 100IN AND 15LED  
 2. SIZE 10" IS ONLY AVAILABLE FOR 100IN, 15LED, AND 17LED  
 3. SIZES 12" AND 15" ARE NOT AVAILABLE FOR 200IN AND 32LED  
 4. SIZES 18" AND 20" ARE NOT AVAILABLE FOR 15LED  
 5. GLOBES AND EMERGENCY ARE NOT AVAILABLE WITH THE 17W LED PAR 38 LAMPS  
 6. A CLEAR COAT IS APPLIED TO COPPER. PATINA WILL FORM OVER TIME  
 7. 10W AT 90 MINUTES. EMERGENCY OPTION IS ONLY AVAILABLE IN 120 - 277V SYSTEMS  
 8. MAY REQUIRE TO COMPLY WITH LOCAL SEISMIC/EARTHQUAKE CODE  
 NOTE: SOME OPTIONS MAY NOT BE COMPATIBLE WITH OTHERS. ALL SPECIFICATIONS ARE SUBJECT TO CHANGE WITHOUT NOTICE. CONTACT TMS LIGHTING FOR UPDATED SPECIFICATIONS.

## DROP CORD MOUNT



## STEM MOUNT



PN	DIAMETER (D)	HEIGHT (H)	WEIGHT (LBS)
CUB - 9	9" (23CM)	9.25" (24CM)	2.75
CUB - 10	10" (25CM)	10.5" (27CM)	3
CUB - 12	12" (31CM)	10.75" (27CM)	3.25
CUB - 15	15" (38CM)	14.25" (36CM)	3.75
CUB - 18	18" (46CM)	16" (41CM)	4.25
CUB - 20	20 (51CM)	17.75" (45CM)	5

### CUSTOM

NOTE: THIS FIXTURE CAN BE CUSTOMIZE. DIMENSION, LAMP TYPES, ENCLOSURE, AND COLOR CAN BE MODIFIED TO SUIT YOUR LIGHTING AND ARCHITECTURAL REQUIREMENTS. CONTACT YOUR LOCAL REPRESENTATIVE FOR MORE DETAILS: <https://tmslighting.com/sales-agents.html>

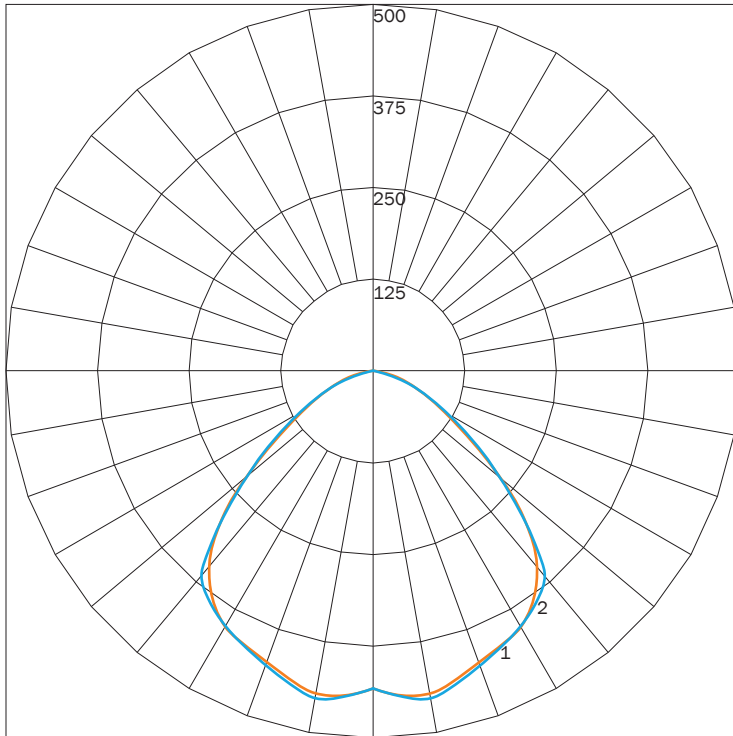
## DIRECT

PN	SIZE (DIA)	ILLUMINATION	LUMENS	WATTAGE
CUB	9	100INC	1093	100
		15LED	1102	15
	10	100INC	1166	100
		15LED	1103	15
	12	100INC	1217	100
		15LED	1096	15
		19LED	1878	19
	15	100INC	1236	100
		15LED	1083	15
		19LED	1860	19
	18	200INC	2534	200
		19LED	1856	19
		32LED	2894	32
	20	200INC	2471	200
19LED		1844	19	
		32LED	2843	32

### IES INDOOR REPORT

PHOTOMETRIC FILENAME : CUB 9 100IN.IES

### POLAR GRAPH



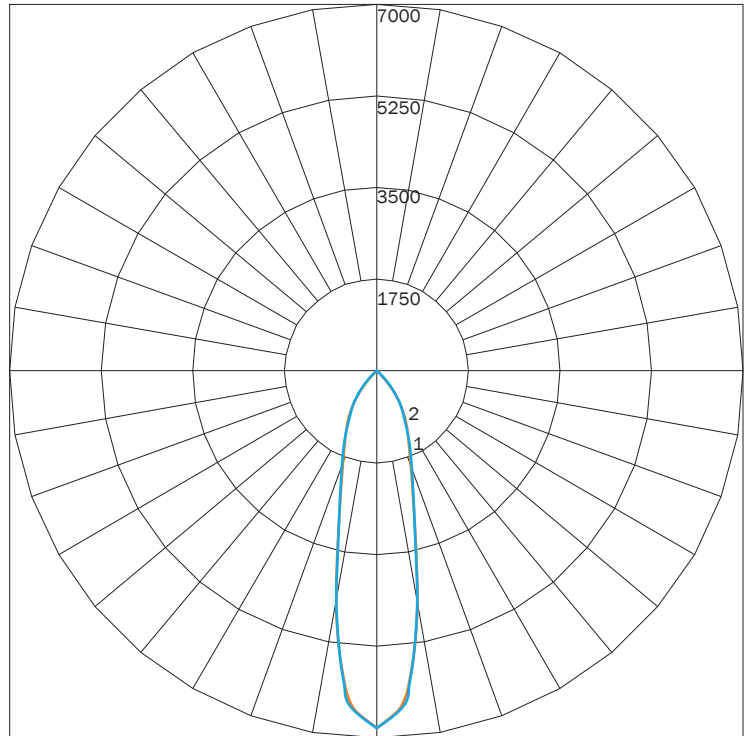
MAXIMUM CANDELA = 467.71 LOCATED AT HORIZONTAL ANGLE = 22.5, VERTICAL ANGLE = 10  
 # 1 - VERTICAL PLANE THROUGH HORIZONTAL ANGLES (90 - 270)  
 # 2 - VERTICAL PLANE THROUGH HORIZONTAL ANGLES (0 - 180)

**LUMINAIRE LUMENS** 1093  
**TOTAL LUMINAIRE EFFICIENCY** 64%  
**LUMINAIRE EFFICACY RATING** 11  
**TOTAL LUMINAIRE WATTS** 100

### IES INDOOR REPORT

PHOTOMETRIC FILENAME : CUB 20 32LED.IES

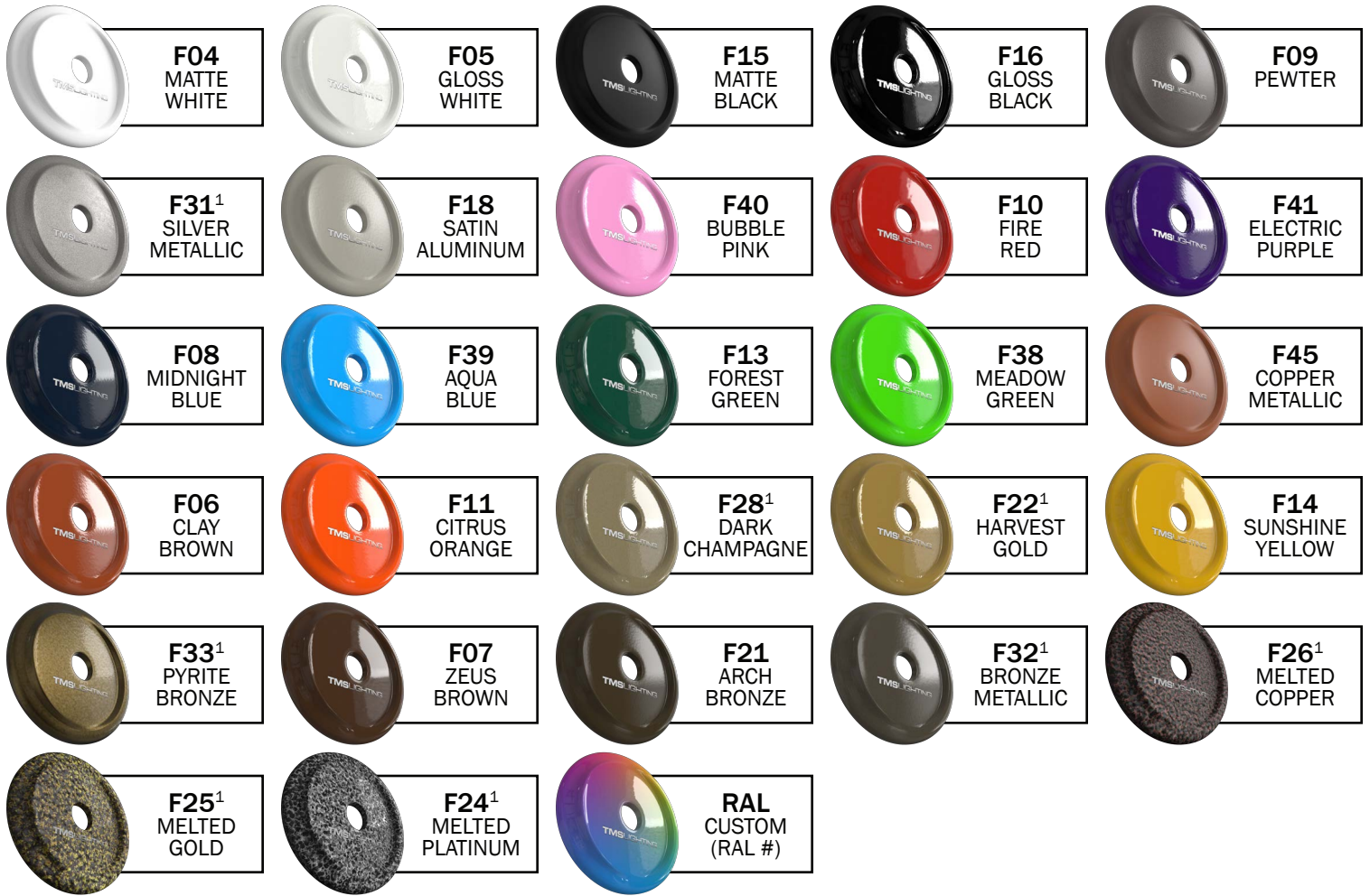
### POLAR GRAPH



MAXIMUM CANDELA = 6818.64 LOCATED AT HORIZONTAL ANGLE = 0, VERTICAL ANGLE = 0  
 # 1 - VERTICAL PLANE THROUGH HORIZONTAL ANGLES (90 - 270)  
 # 2 - VERTICAL PLANE THROUGH HORIZONTAL ANGLES (0 - 180)

**LUMINAIRE LUMENS** 2843  
**TOTAL LUMINAIRE EFFICIENCY** NA  
**LUMINAIRE EFFICACY RATING** 78  
**TOTAL LUMINAIRE WATTS** 36

## FINISHES



## PREMIUM FINISHES



## PREMIUM MATERIALS



1: FINISHES IS APPLIED TO THE INTERIOR AND EXTERIOR OF THE FIXTURE.

2: MATERIALS ARE CONSISTENT (INTERIOR & EXTERIOR). STEMS AND CANOPIES WILL BE F16 GLOSS BLACK.

NOTE: ALL FINISHES NOT MARKED WITH NOTATION (1) ARE APPLIED TO THE EXTERIOR ONLY. THE INTERIOR WILL BE F05 GLOSS WHITE.

MATTE FINISHES AVAILABLE. CONSULT FACTORY.

FINISHES ARE SUBJECT TO AVAILABILITY AND MAY NOT BE APPLICABLE TO ALL FIXTURES OR FOR QUICKSHIP.

DISPLAYED FINISHES DIFFER BETWEEN SCREENS AS WELL AS PRINTERS AND MAY NOT ACCURATELY DEPICT COLOR.