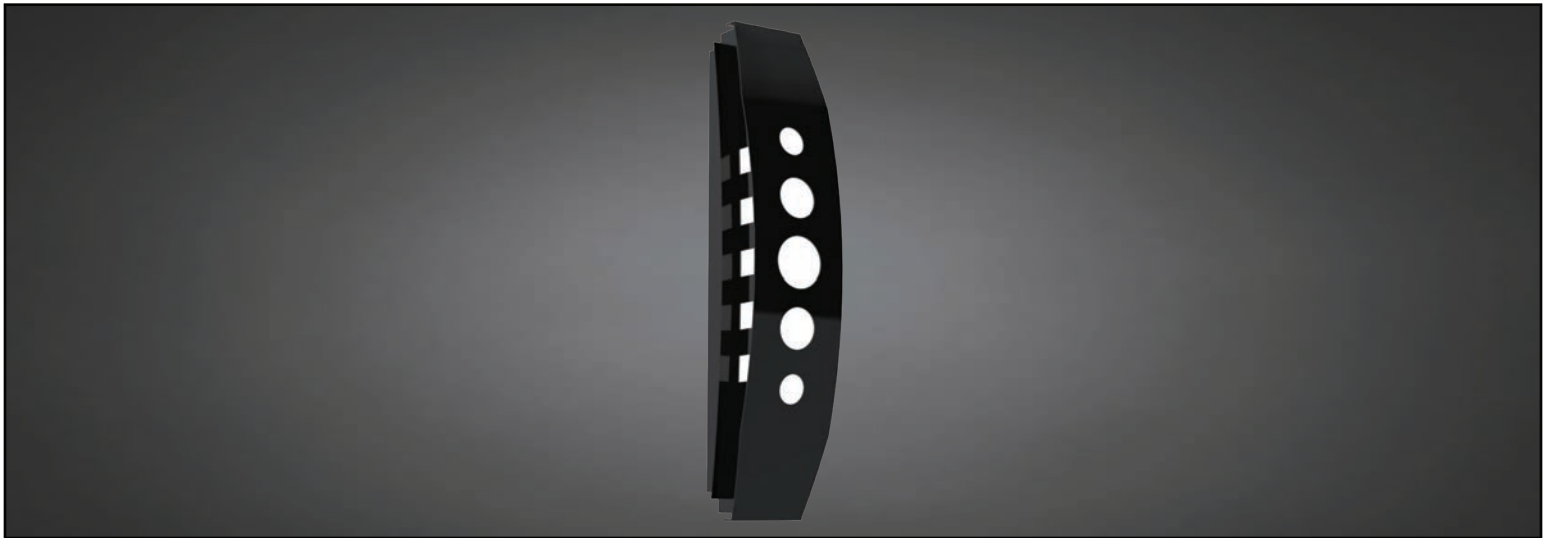


CRESCENT HL™ SCONCE

PROJECT: _____

TYPE: _____

QUANTITY: _____



PN: CR800 HL

APPLICATION	<ul style="list-style-type: none">• WALL MOUNT• INDOOR OR OUTDOOR RATED• ADA COMPLIANT
DIMENSION	<ul style="list-style-type: none">• 26.5"H, 38.5"H, OR 51"H (66CM, 97CM, 129CM)• DEPTH: 4", 6.75", 8" (10CM, 17CM, 20CM)
ILLUMINATION	<ul style="list-style-type: none">• DIFFUSE• LED 90CRI• 574 - 1,772 LUMENS
ELECTRICAL	<ul style="list-style-type: none">• 120V, 277V AND 347V• 10kA SURGE SUPPRESSION STANDARD
DIFFUSERS	<ul style="list-style-type: none">• HIGH EFFICIENCY ACRYLIC
MOUNTING	<ul style="list-style-type: none">• MOUNT DIRECTLY TO A STRUCTURAL WALL
CONSTRUCTION	<ul style="list-style-type: none">• COPPER, STAINLESS STEEL, OR ALUMINUM
FINISHES	<ul style="list-style-type: none">• AVAILABLE IN SPECIALTIES, SEVERAL TMS PLATED, AND POWDER COATED FINISHES• CUSTOM RAL FINISHES AVAILABLE
DIMMING	<ul style="list-style-type: none">• 0 - 10V STANDARD DIMMING



DIFFUSE

CRESCENT HL™ SCONCE



PROJECT: _____

TYPE: _____

QUANTITY: _____

CR800 HL

1 2 3 4 5 6 7 8 9 10

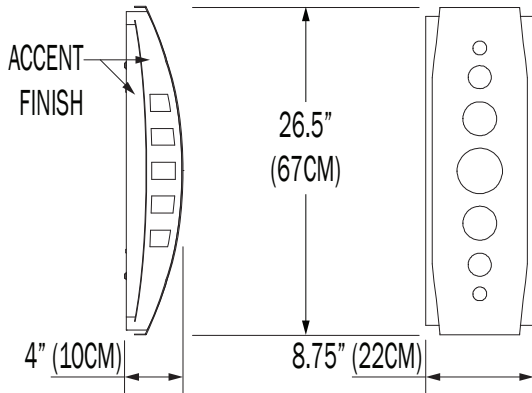
1.	I					O				
APPLICATION	INDOOR					OUTDOOR				
2.	26			38			51			
SIZE	8.75"W X 26.5"H X 4"D (22CM X 67CM X 10CM)			8.75"W X 38.5"H X 6.75"D (22CM X 99CM X 17CM)			8.75"W X 51"H X 8"D (22CM X 130CM X 20CM)			
3.	32LED			45LED			53LED			
ILLUMINATION	32LED			45LED			53LED			
LED (W)	32W			45W			53W			
LUMENS	574			1772			---			
4.	30K			35K			40K			
LED CCT	3000			3500			4000			
5.	120			277			347			
VOLTAGE	120V			277V			347V			
6.	CO¹	SS¹	SN	CH	BC	AC	AB	SB	PB	F04
FINISH	SOLID COPPER	STAINLESS STEEL	SATIN NICKEL	CHROME	BRASS COPPER	ANTIQUE COPPER	ANTIQUE BRASS	SATIN BRASS	POLISHED BRASS	MATTE WHITE
	F05	F09	F15	F16	F18	F24	F25	F26	F31	F33
	GLOSS WHITE	PEWTER	MATTE BLACK	GLOSS BLACK	SATIN PLATINUM	MELTED PLATINUM	MELTED GOLD	MELTED COPPER	SILVER METALLIC	PYRITE BRONZE
	RAL									
	CUSTOM (SPECIFY)									
7.	F04	F05	F09	F15	F16	F18	F24	F25	F26	F31
ACCENT FINISH	MATTE WHITE	GLOSS WHITE	PEWTER	MATTE BLACK	GLOSS BLACK	SATIN PLATINUM	MELTED PLATINUM	MELTED GOLD	MELTED COPPER	SILVER METALLIC
	F33	RAL								
	PYRITE BRONZE	CUSTOM (SPECIFY)								
8.	OP				SD			FPD		
DIFFUSER	OPAL - WHITE ACRYLIC				SAND - BLASTED WHITE ACRYLIC			FAUX PERFORATED		
9.	---					DIML				
DIMMING	NONE					LED DIMMING (0 - 10V, CURRENT - SINKING)				

1. BRUSHED STAINLESS STEEL AND COPPER ARE FINISHED WITH CLEAR COAT. PATINA WILL FORM ON COPPER OVER TIME
2. 10W AT 90 MINUTES. EMERGENCY OPTION IS ONLY AVAILABLE IN 120 - 277 SYSTEMS

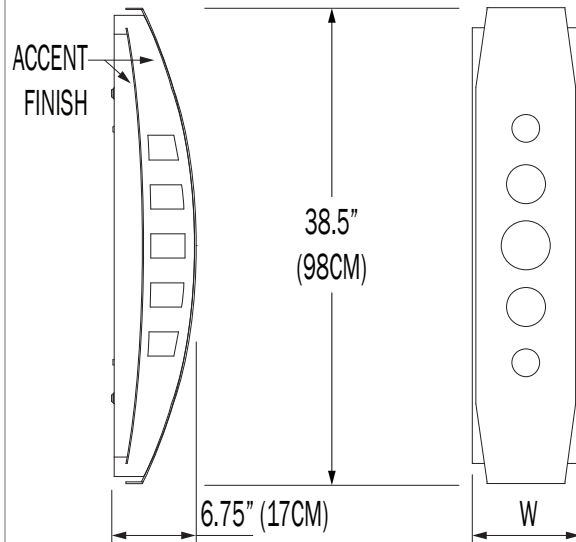
NOTE: SOME OPTIONS MAY NOT BE COMPATIBLE WITH OTHERS. ALL SPECIFICATIONS ARE SUBJECT TO CHANGE WITHOUT NOTICE. CONTACT TMS LIGHTING FOR UPDATED SPECIFICATIONS.

CRESCENT HL™ SCONCE

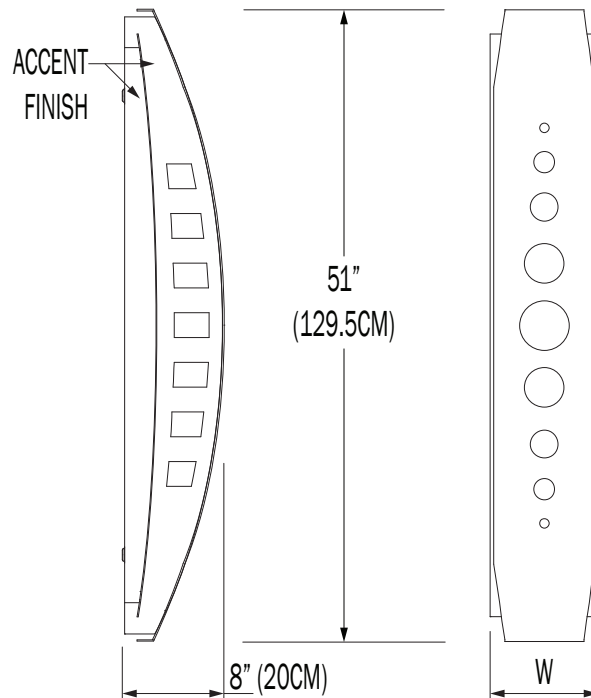
CR800 HL - 26"



CR800 HL - 38"



CR800 HL - 51"



CUSTOM

NOTE: THIS FIXTURE CAN BE CUSTOMIZE. DIMENSION, LAMP TYPES, ENCLOSURE, AND COLOR CAN BE MODIFIED TO SUIT YOUR LIGHTING AND ARCHITECTURAL REQUIREMENTS. CONTACT YOUR LOCAL REPRESENTATIVE FOR MORE DETAILS: <https://tmslighting.com/sales-agents.html>

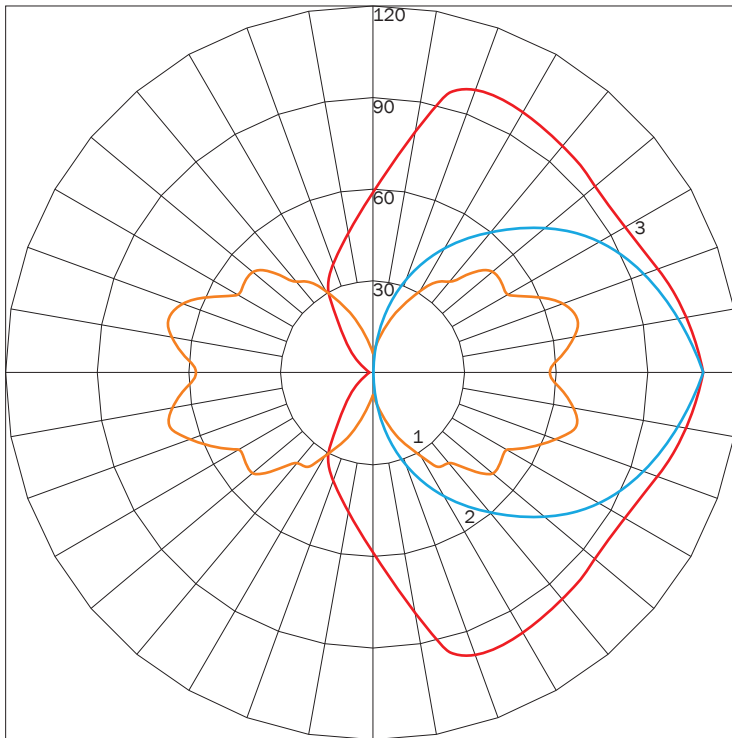
DIFFUSE

PN	SIZES	ILLUMINATION	LUMENS	WATTAGE
CR800HL	26	32LED	574	32
	38	45LED	1772	45

IES INDOOR REPORT

PHOTOMETRIC FILENAME : CR800 HL 26 32LED.IES

POLAR GRAPH



MAXIMUM CANDELA = 108.1 LOCATED AT HORIZONTAL ANGLE = 0, VERTICAL ANGLE = 90
 # 1 - VERTICAL PLANE THROUGH HORIZONTAL ANGLES (90 - 270)
 # 2 - VERTICAL PLANE THROUGH HORIZONTAL ANGLES (0 - 180)
 # 3 - HORIZONTAL CONE THROUGH VERTICAL ANGLE (90)

LUMINAIRE LUMENS

574

TOTAL LUMINAIRE EFFICIENCY

NA

LUMINAIRE EFFICACY RATING

NA

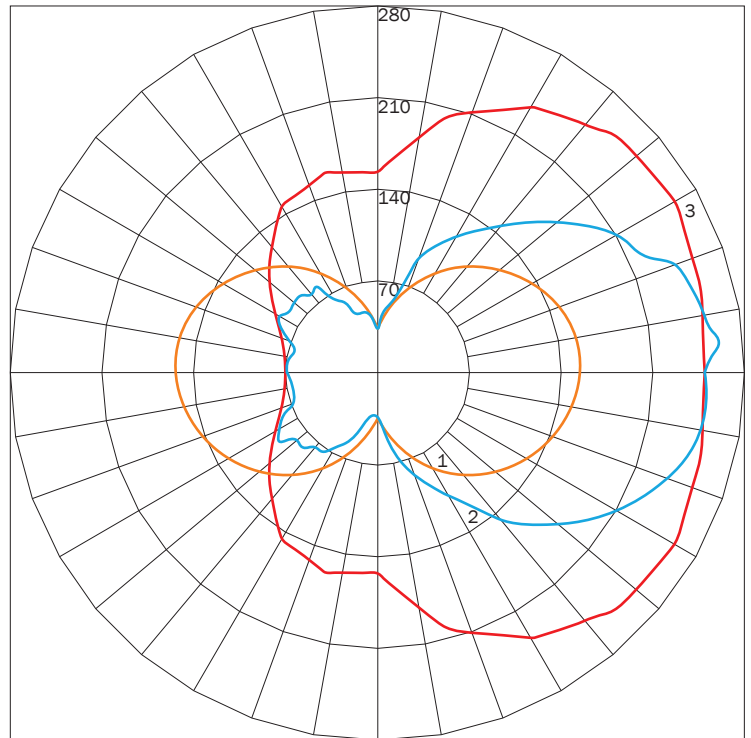
TOTAL LUMINAIRE WATTS

37

IES INDOOR REPORT

PHOTOMETRIC FILENAME : CR800 HL 38 45LED.IES

POLAR GRAPH



MAXIMUM CANDELA = 261.5 LOCATED AT HORIZONTAL ANGLE = 30, VERTICAL ANGLE = 90
 # 1 - VERTICAL PLANE THROUGH HORIZONTAL ANGLES (90 - 270)
 # 2 - VERTICAL PLANE THROUGH HORIZONTAL ANGLES (0 - 180)
 # 3 - HORIZONTAL CONE THROUGH VERTICAL ANGLE (90)

LUMINAIRE LUMENS

1772

TOTAL LUMINAIRE EFFICIENCY

NA

LUMINAIRE EFFICACY RATING

NA

TOTAL LUMINAIRE WATTS

45

AVAILABLE FINISHES



C0
SOLID
COPPER



SS
STAINLESS
STEEL



SN
SATIN
NICKEL



CH
CHROME



BC
BLACK
CHROME



AC
ANTIQU
COPPER



AB
ANTIQU
BRASS



SB
SATIN
BRASS



PB
POLISH
BRASS



F04
MATTE
WHITE



F05
GLOSS
WHITE



F09
PEWTER



F15
MATTE
BLACK



F16
GLOSS
BLACK



F18
SATIN
ALUMINUM



F24
MELTED
PLATINUM



F25
MELTED
GOLD



F26
MELTED
COPPER



F31
SILVER
METALLIC



F33
PYRITE
BRONZE



RAL
CUSTOM
COLOR
(RAL #)

NOTE: DISPLAYED FINISHES DIFFER BETWEEN SCREENS AS WELL AS PRINTERS AND MAY NOT ACCURATELY DEPICT COLOR.